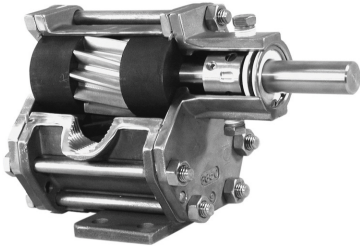


CHEMSTEEL™ PUMP

CHEMSTEEL PUMPS SERIES S946 M

PERFORMANCE



FEATURES

Gear/bearing design allows for “trimming” for optimizing the pump’s maximum flow to reach minimum turndown or to match flow to a specific OEM’s requirement.

Special materials combinations are available for specific liquids:

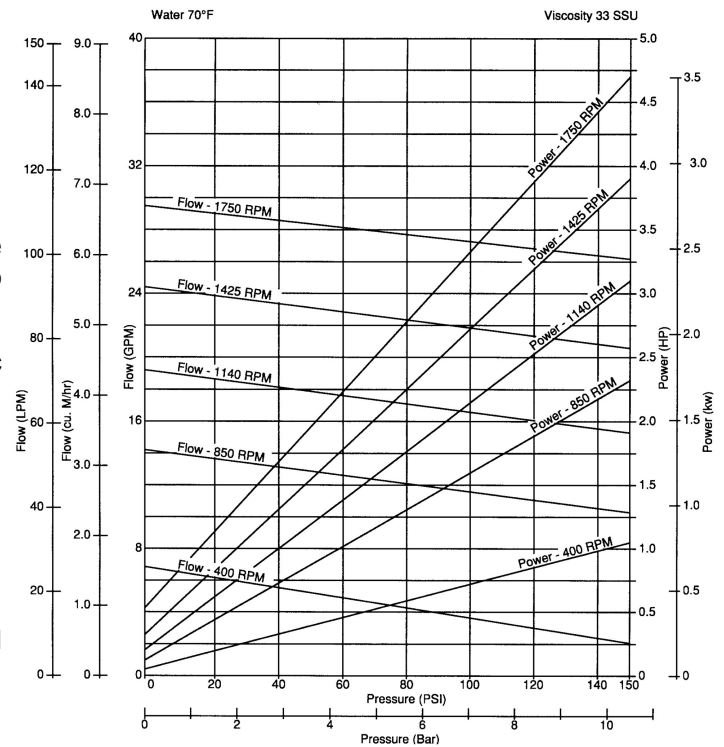
- Stainless or Alloy C housing construction.
 - Gears available in 316 stainless, W88 stainless and Alloy C. Also in Polytetrafluoroethylene, polyphenylenesulfide and polyetheretherketone.
 - Shafts are 316 stainless steel or Alloy C.
 - Bearings available in carbon or Polytetrafluoroethylene.
- Full range of seal options including lip seal, packing and mechanical designs.

DRIVE

The pump is driven directly from the electric motor shaft by means of a flexible coupling. A close coupled adapter connects the pump to the motor.

LIQUIDS AND TEMPERATURE

This pump is suitable to handle clear lubricating and non lubricating fluids at temperatures to 450F. These pumps will handle viscous fluids to 100,000 cps (462,000 SSU) at reduced shaft speeds.



SUCTION LIFT

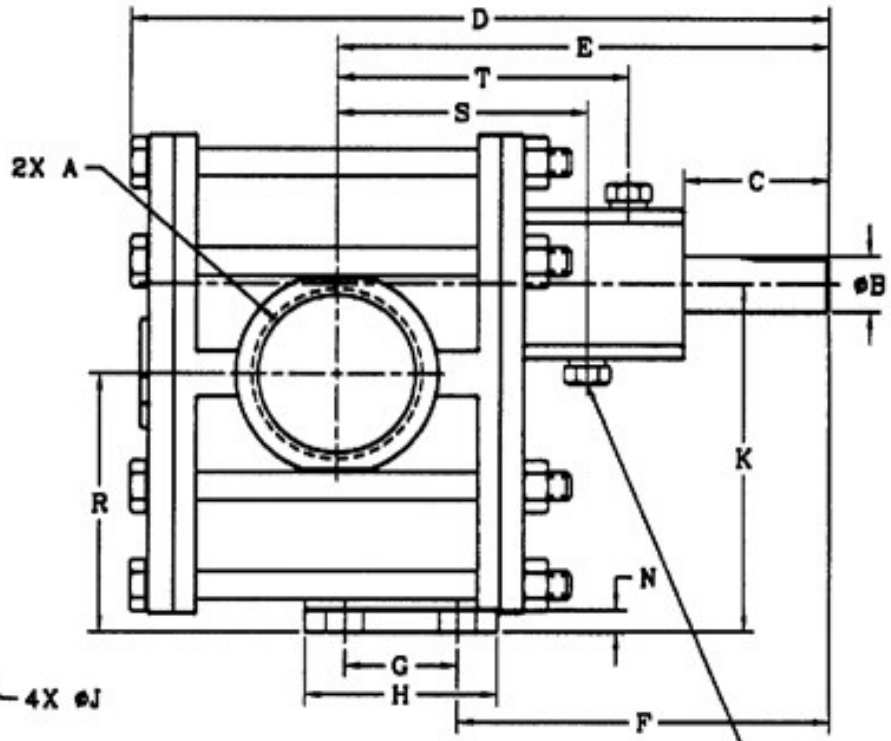
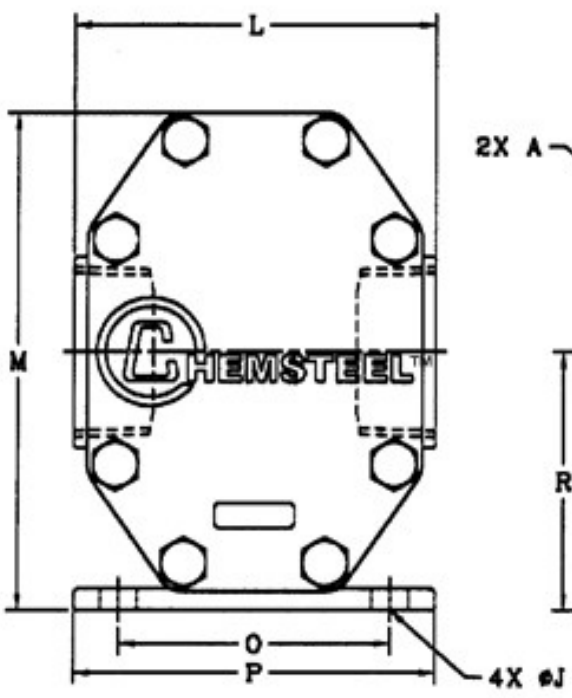
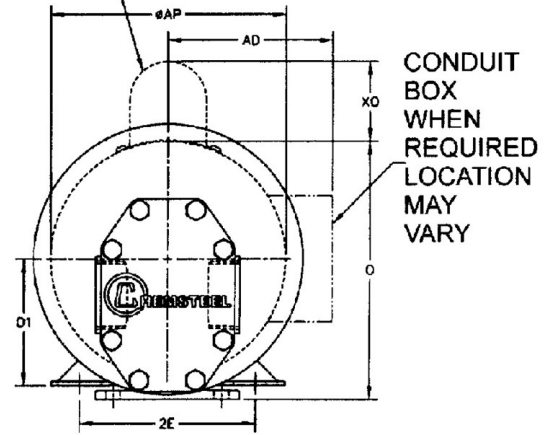
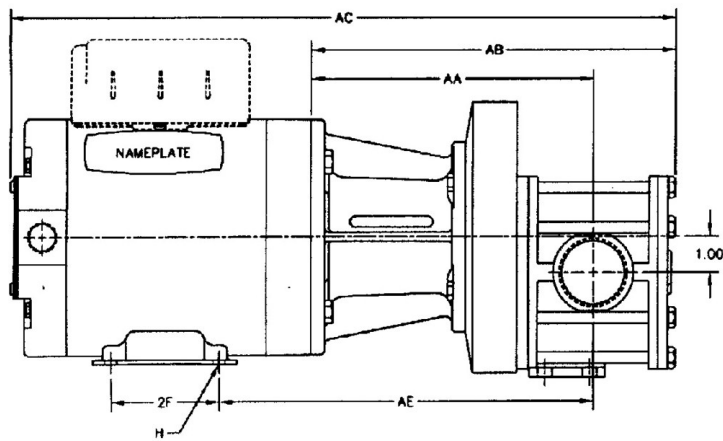
This pump has a suction lift capability of 20 feet for a new pump. Though gear pumps are self priming, a foot valve is recommended. If possible, wet gears with the liquid to be pumped for the first dry start. Liquid retained in the system and gear chambers serves to wet the pump on subsequent starts.

EXPLODED VIEW AND PARTS LIST

Series	Model	Repair Kit
S946 M	S94635CD-H	S94635CD-HK
	S94633PV-W81	S94633PV-W81K
	S9461HCB	S9461HCBK
	S9461FPL-X1C1	S9461FPL-X1C1K
	S9461FPL-X1	S9461FPL-X1K
	S9461FPJ-C1	S9461FPJ-C1K
	S9461FPJ	S9461FPJK
	S9461FPA-C1	S9461FPA-C1K
	S9461FPA	S9461FPAK
	S9461FJH-T5	S9461FJH-T5K
	S9461FJB	S9461FJBK
	S9461FJA-C6	S9461FJA-C6K
	S9461FJA	S9461FJAK
	S9461FCJ-C2	S9461FCJ-C2K
	S9461FCJ	S9461FCJK
	S9461FCB-C6	S9461FCB-C6K
	S9461FCB	S9461FCBK
	S9461FCA-H	S9461FCA-HK
	S9461FCA-C6	S9461FCA-C6K
	S9461FCA	S9461FCAK
	S9461EJB	S9461EJBK
	S9461ECJ-C6	S9461ECJ-C6K
	S9461BJA-C6	S9461BJA-C6K

DIMENSIONS

CAPACITOR CASE AND GASKET
WHEN REQUIRED



2X 1/8-27 NPT
SEAL FLUSH CONNECTIONS

MAINTENANCE

A three-part housing provides easy disassembly and service. Full size bearings match the gear diameter, and eliminate the need for separate wear plates. TFE encapsulating silicone o-ring pump housing seals provide elastic memory to assure an effective long lasting seal and thus avoiding the re-torquing required of pumps using pure TFE. The upper shaft configuration lends itself to inline pump seal maintenance without the leakage of trapped chemicals from an incompletely drained pump. To order a CHEMKIT™ parts kit, simply add a “K” to the end of the model number. A repair kit contains the following parts: seals, bearings, gears, o-rings, shafts, keys, c clips, and retaining ring.

LIFE CYCLE/COST OF OWNERSHIP

Pump design and materials selection, together provide the longest life available from a gear pump.

Key attributes include:

- Gear & bearing combinations of metallic and nonmetallic wear surfaces.
- Slotted bearings to lubricate shaft and gear surfaces.
- Hydraulic porting to balance axial thrust and to reduce wear.
- Ample port sizing to reduce the likelihood of cavitation when inlet pressure is marginal.
- Effective housing seals with elastic memory prevent leakage of corrosives.

FIT

Connections are 1 1/2” female NPT or BSPT, pump hardware is metric and close couple adapters mount to both NEMA and IEC standard motor frame sizes for world wide acceptance. “Near” dimensional interchangeability offers easy upgrade to CHEMSTEEL™ pump. The port size is the same as competitive pumps.