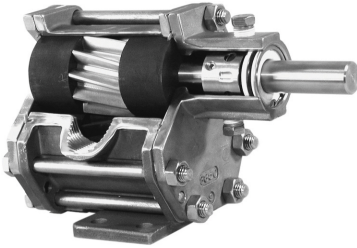


CHEMSTEEL™ PUMP

CHEMSTEEL PUMPS SERIES S930 M

PERFORMANCE



FEATURES

- Stainless or Alloy C housing construction.
- Gears available in 316 stainless, W88 stainless and Alloy C. Also in Polytetrafluoroethylene, polyphenylenesulfide and polyetheretherketone.
- Shafts are 316 stainless steel or Alloy C.
- Bearings available in carbon or Polytetrafluoroethylene.
- Full range of seal options including lip seal, packing and mechanical seal designs.

Gear/bearing design allows for “trimming” for optimizing the pump’s maximum flow to reach minimum turndown or to match flow to a specific OEM’s requirement.

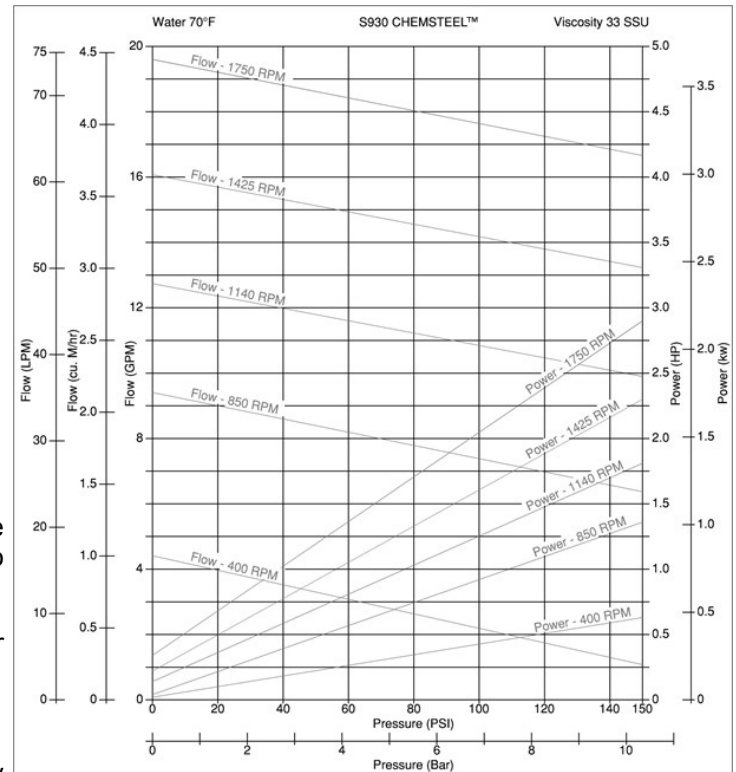
Special materials combinations are available for specific liquids.

DRIVE

The pump is driven directly from the electric motor shaft by means of a flexible coupling. A close coupled adapter connects the pump to the motor.

LIQUIDS AND TEMPERATURE

This pump is suitable to handle clear lubricating and non lubricating fluids at temperatures to 450F. These pumps will handle viscous fluids to 100,000 cps (462,000 SSU) at reduced shaft speeds.



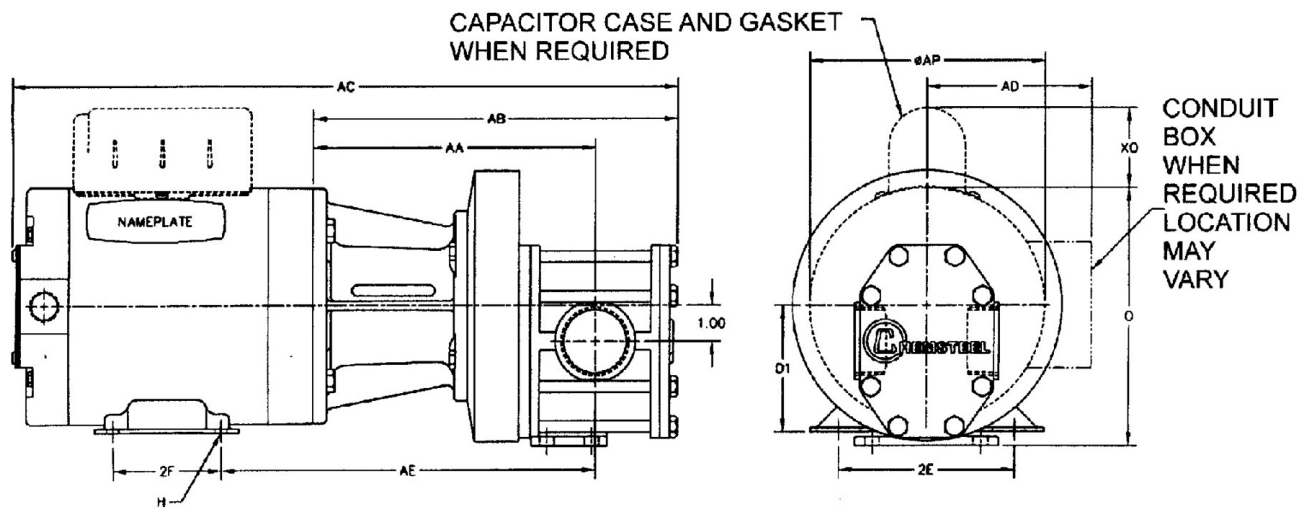
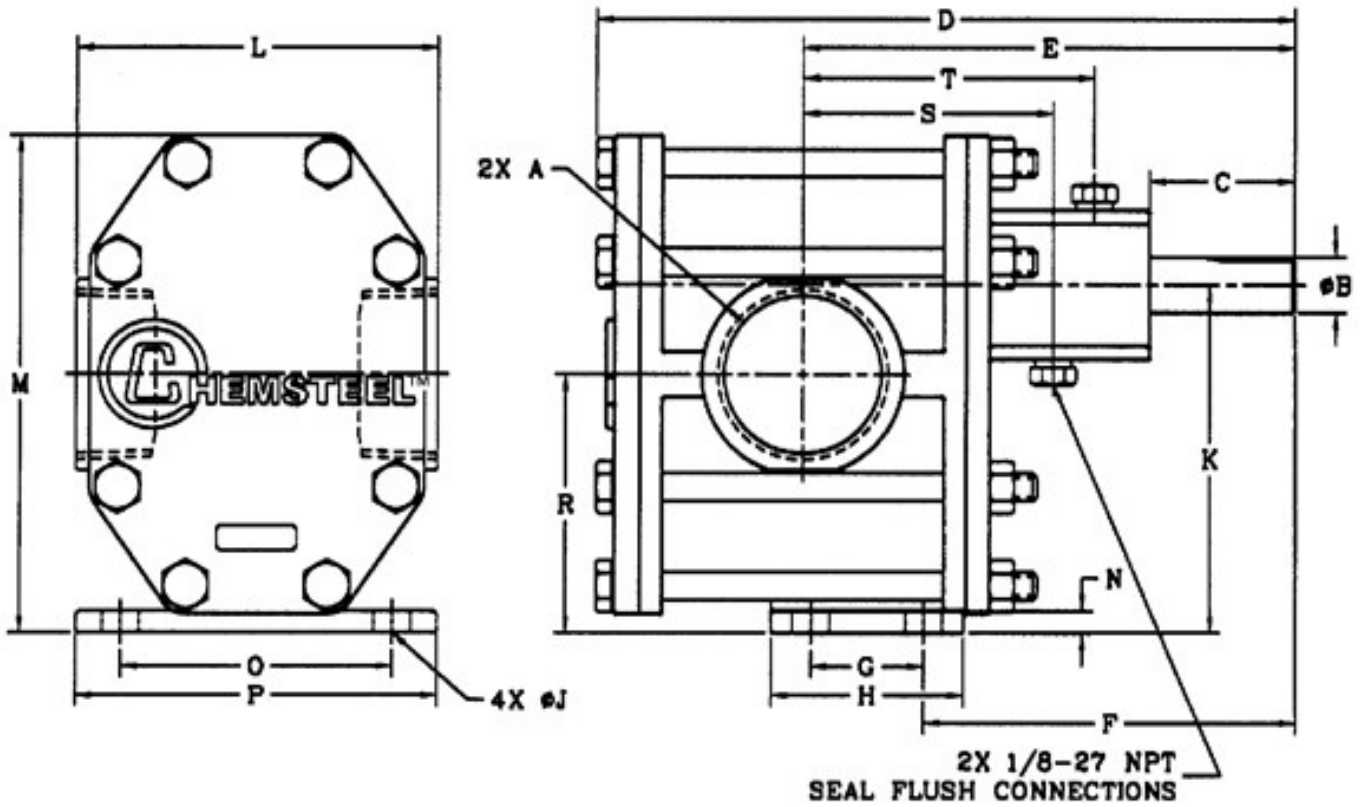
SUCTION LIFT

This pump has a suction lift capability of 20 feet for a new pump. Though gear pumps are self priming, a foot valve is recommended. If possible, wet gears with the liquid to be pumped for the first dry start. Liquid retained in the system and gear chambers serves to wet the pump on subsequent starts.

EXPLODED VIEW AND PARTS LIST

Series	Model	Repair Kit
S930 M	S9303ACF-C1	S9303ACF-C1K
	S9303ACF	S9303ACFK
	S93039CD-C6	S93039CD-C6K
	S93039CD	S93039CDK
	S9301FPN	S9301FPNK
	S9301FPC-C6	S9301FPC-C6K
	S9301FPC	S9301FPCK
	S9301FPA	S9301FPAK
	S9301FCL	S9301FCLK
	S9301FCA-C2	S9301FCA-C2K
	S9301FCA	S9301FCAK
	S9301ECC	S9301ECCK
	S9301ECB-C1	S9301ECB-C1K
	S9301ECB	S9301ECBK
	S9301BCJ-C2	S9301BCJ-C2K
	S9301BCJ	S9301BCJK
	S9301BCB-EC5	S9301BCB-EC5K
	S93017PQ	S93017PQK
	S93017PJ-C5	S93017PJ-C5K
	S93017PJ	S93017PJK
	S93017PC	S93017PCK

DIMENSIONS



MAINTENANCE

A three-part housing provides easy disassembly and service. Full size bearings match the gear diameter, and eliminate the need for separate wear plates. TFE encapsulating silicone O-ring pump housing seals provide elastic memory to assure an effective long lasting seal and thus avoiding the re-torquing required of pumps using pure TFE. The upper shaft configuration lends itself to inline pump seal maintenance without the leakage of trapped chemicals from an incompletely drained pump. To order a CHEMKIT™ parts kit, simply add a “K” to the end of the model number.

A repair kit contains the following parts: seals, bearings, gears, o-rings, shafts, keys, c clips, and retaining ring.

FIT

Connections are 1 1/2” female NPT or BSPT, pump hardware is metric and close couple adapters mount to both NEMA and IEC standard motor frame sizes for world wide acceptance. “Near” dimensional interchangeability offers easy upgrade to CHEMSTEEL™ pump. The port size is the same as competitive pumps.