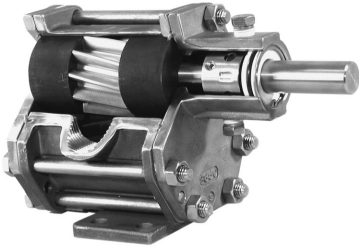


# CHEMSTEEL™ PUMP

## CHEMSTEEL PUMPS SERIES S923 M

## PERFORMANCE



### FEATURES

Gear/bearing design allows for “trimming” for optimizing the pump’s maximum flow to reach minimum turndown or to match flow to a specific OEM’s requirement.

Special materials combinations are available for specific liquids:

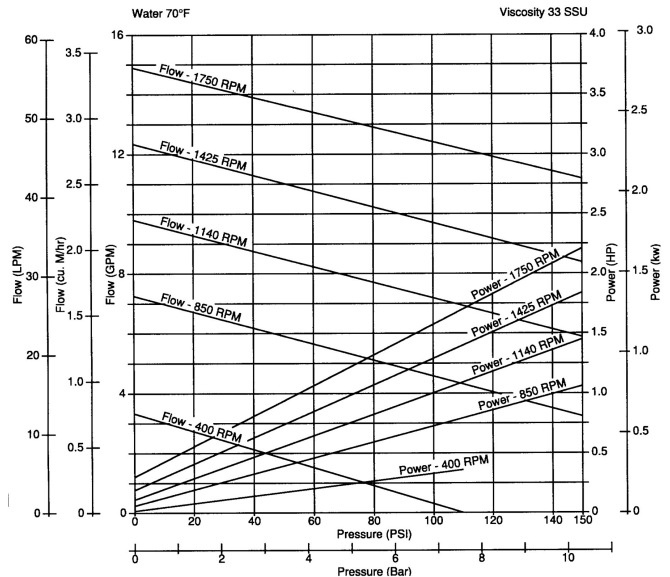
- Stainless or Alloy C housing construction.
  - Gears available in metallic 316 stainless, W88 stainless and Alloy C. Also in Polytetrafluoroethylene, polyphenylenesulfide and polyetheretherketone.
  - Shafts are 316 stainless steel or Alloy C.
  - Bearings available in carbon or Polytetrafluoroethylene.
- Full range of seal options including lip seal, packing and mechanical designs.

### DRIVE

The pump is driven directly from the electric motor shaft by means of a flexible coupling. A close-coupled adapter connects the pump to the motor.

### LIQUIDS AND TEMPERATURE

This pump is suitable to handle clear lubricating and non-lubricating fluids at temperatures to 450F. These pumps will handle viscous fluids to 100,000 cps (462,000 SSU) at reduced shaft speeds.



---

## **SUCTION LIFT**

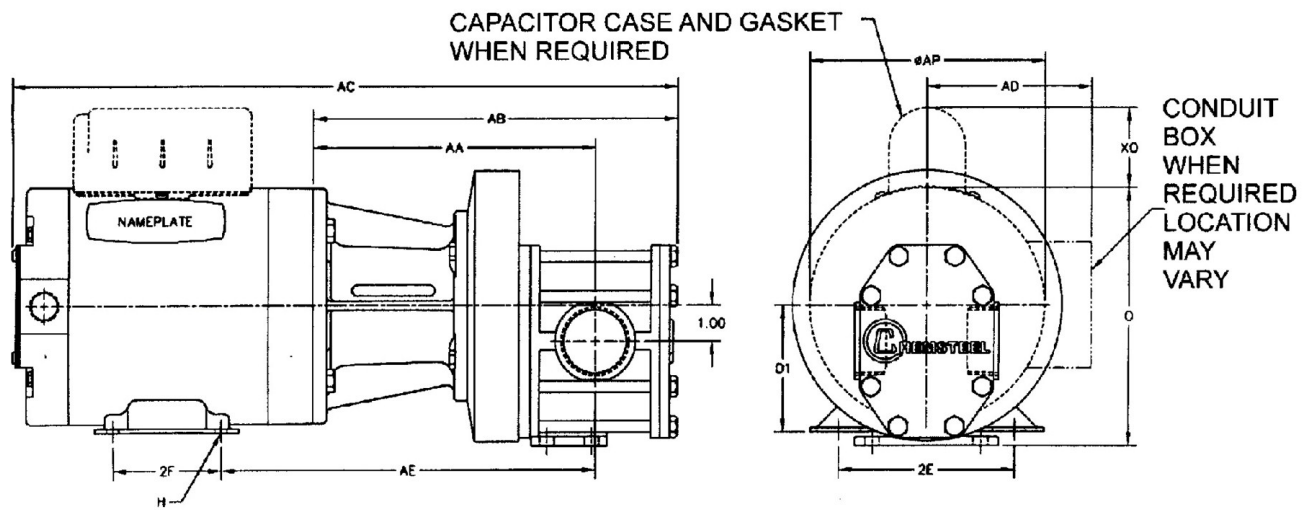
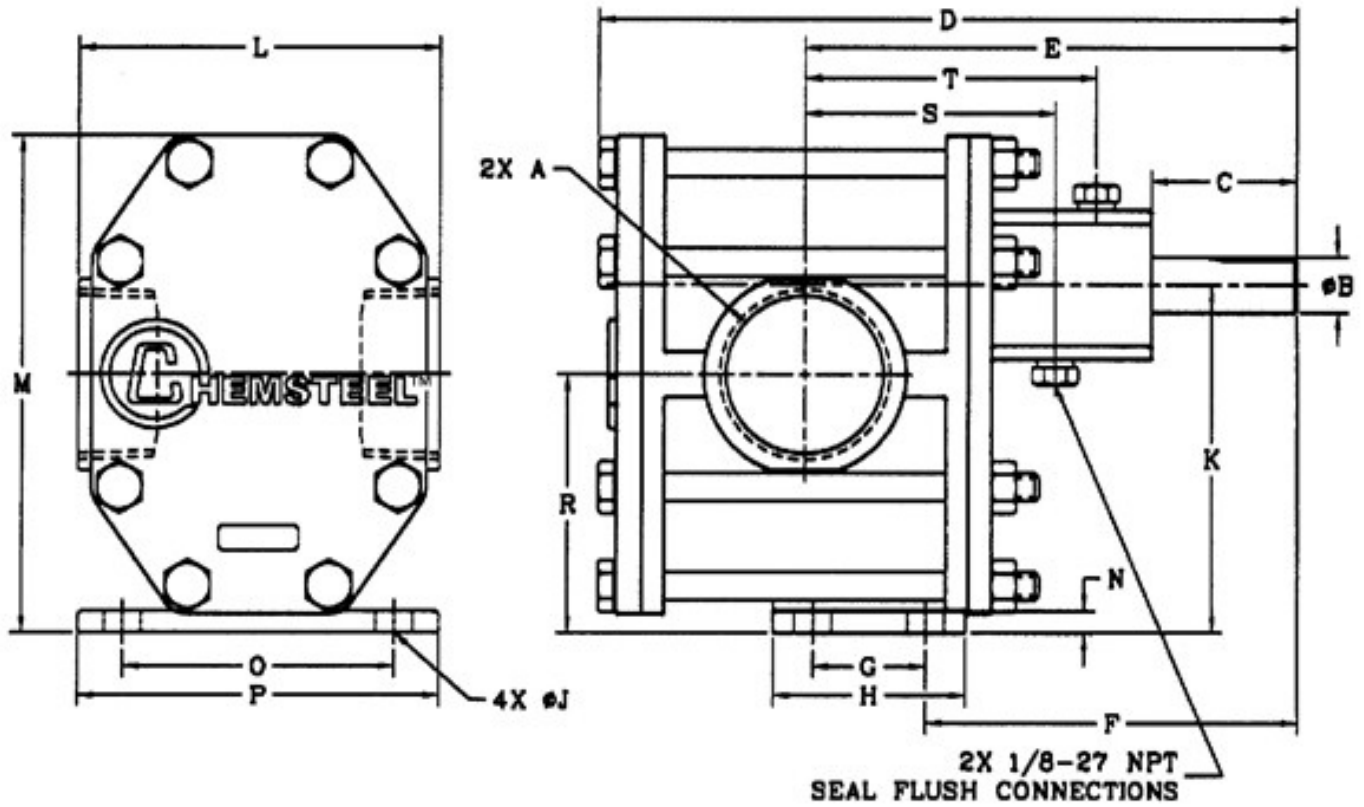
This pump has a suction lift capability of 20 feet for a new pump. Though gear pumps are self-priming, a foot valve is recommended. If possible, wet gears with the liquid to be pumped for the first dry start. Liquid retained in the system and gear chambers serves to wet the pump on subsequent starts.

---

## EXPLODED VIEW AND PARTS LIST

Series	Model	Repair Kit
S923 M	S92335JD	S92335JDK
	S9231FPQ	S9231FPQK
	S9231FPN	S9231FPNK
	S9231FPB	S9231FPBK
	S9231FCJ	S9231FCJK
	S9231FCC-T3	S9231FCC-T3K
	S9231FCB-C1	S9231FCB-C1K
	S9231FCB	S9231FCBK
	S9231FCA-C2	S9231FCA-C2K
	S9231FCA-3C2	S9231FCA-3C2K
	S9231FCA-3	S9231FCA-3K
	S9231FCA	S9231FCAK
	S9231EPB-C6	S9231EPB-C6K
	S9231EPB	S9231EPBK
	S9231ECZ	S9231ECZK
	S9231ECP-E	S9231ECP-EK
	S9231ECH-C4	S9231ECH-C4K
	S9231ECH	S9231ECHK
	S9231ECB-C1	S9231ECB-C1K
	S9231ECB	S9231ECBK
	S9231BCB-N97	S9231BCB-N97K

# DIMENSIONS



## **MAINTENANCE**

A three-part housing provides easy disassembly and service. Full size bearings match the gear diameter, and eliminate the need for separate wear plates. TFE encapsulating silicone o-ring pump housing seals provide elastic memory to assure an effective long lasting seal and thus avoiding the re-torquing required of pumps using pure TFE. The upper shaft configuration lends itself to inline pump seal maintenance without the leakage of trapped chemicals from an incompletely drained pump. To order a CHEMKIT™ parts kit, simply add a “K” to the end of the model number. A repair kit contains the following parts: seals, bearings, gears, o-rings, shafts, keys, c clips, and retaining ring.

## **LIFE CYCLE/COST OF OWNERSHIP**

Pump design and materials selection, together provide the longest life available from a gear pump.

Key attributes include:

- Gear & bearing combinations of metallic and nonmetallic wear surfaces.
- Slotted bearings to lubricate shaft and gear surfaces.
- Hydraulic porting to balance axial thrust and to reduce wear.
- Ample port sizing to reduce the likelihood of cavitation when inlet pressure is marginal.
- Effective housing seals with elastic memory prevent leakage of corrosives.

## **FIT**

Connections are 1 1/2” female NPT or BSPT, pump hardware is metric and close couple adapters mount to both NEMA and IEC standard motor frame sizes for world wide acceptance. “Near” dimensional interchangeability offers easy upgrade to CHEMSTEEL™ pump. The port size is the same as competitive pumps.