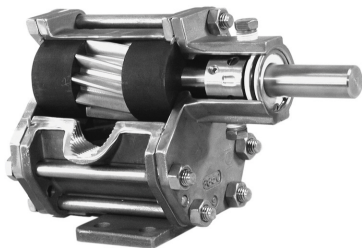


CHEMSTEEL™ PUMP

CHEMSTEEL PUMPS SERIES S207 M



FEATURES

Gear/bearing design allows for “trimming” for optimizing the pump’s maximum flow to reach minimum turndown or to match flow to a specific OEM’s requirement.

Special materials combinations are available for specific liquids:

- Stainless or Alloy C housing construction.
- Gears available in 316 stainless, W88 stainless and Alloy C. Also in Polytetrafluoroethylene, polyphenylenesulfide and polyetheretherketone.
- Shafts are 316 stainless steel or Alloy C.
- Bearings available in carbon or Polytetrafluoroethylene.
- Full range of seal options including lip seal, packing and mechanical designs.

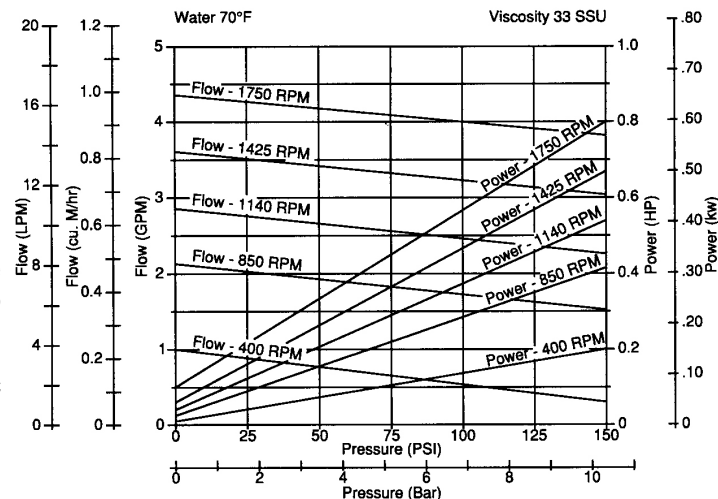
DRIVE

The pump is driven directly from the electric motor shaft by means of a flexible coupling. A close-coupled adapter connects the pump to the motor.

LIQUIDS AND TEMPERATURE

This pump is suitable to handle clear lubricating and non-lubricating fluids at temperatures to 450F. These pumps will handle viscous fluids to 100,000 cps (462,000 SSU) at reduced shaft speeds.

PERFORMANCE



SUCTION LIFT

This pump has a suction lift capability of 20 feet for a new pump. Though gear pumps are self-priming, a foot valve is recommended. If possible, wet gears with the liquid to be pumped for the first dry start. Liquid retained in the system and gear chambers serves to wet the pump on subsequent starts.

EXPLODED VIEW AND PARTS LIST

Chemsteel™ S(M)207, S(M)210 & S(M)214 Metallic

Shaft Seal Code "L"
Two Lip Seals

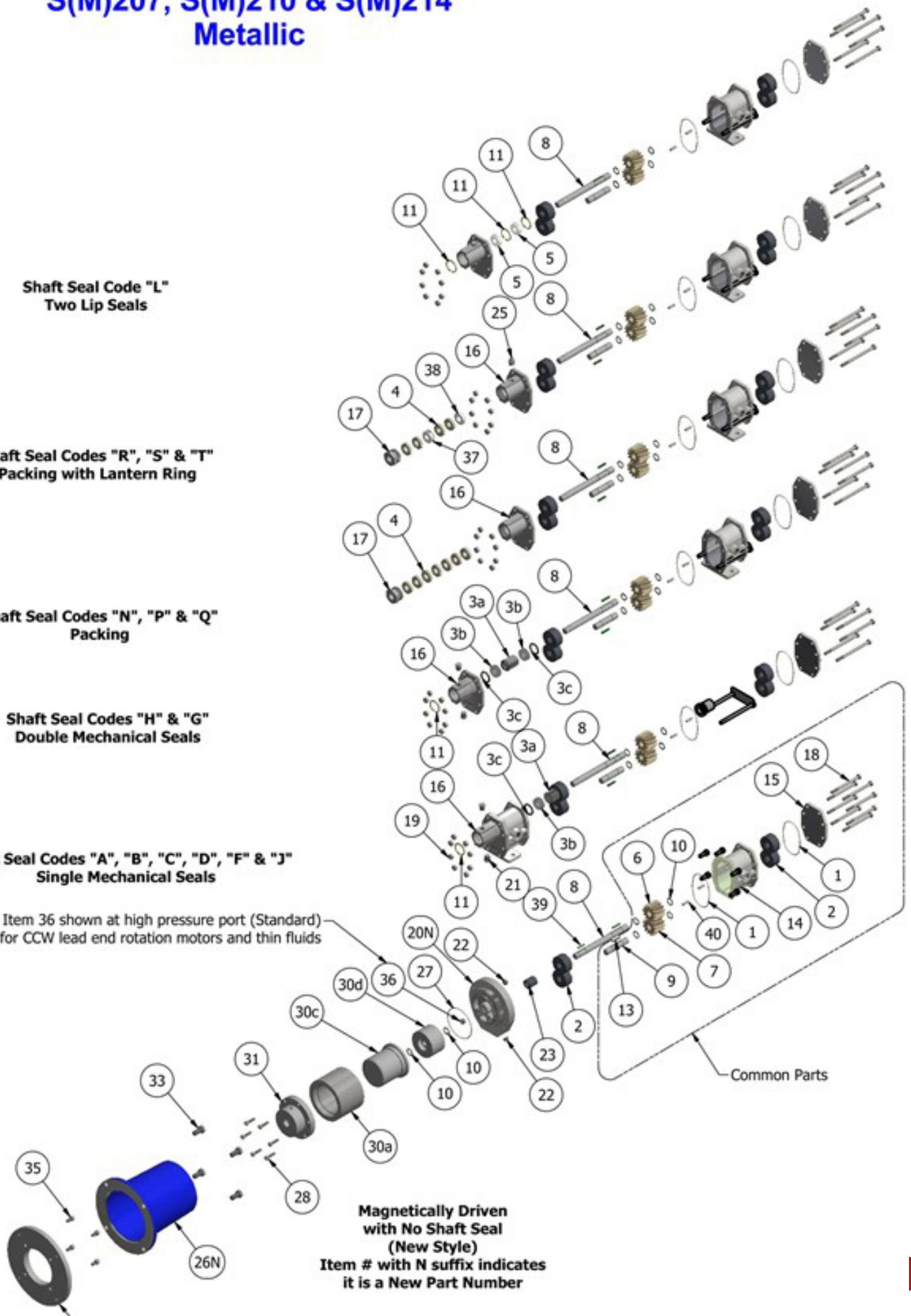
Shaft Seal Codes "R", "S" & "T"
Packing with Lantern Ring

Shaft Seal Codes "N", "P" & "Q"
Packing

Shaft Seal Codes "H" & "G"
Double Mechanical Seals

Shaft Seal Codes "A", "B", "C", "D", "F" & "J"
Single Mechanical Seals

Item 36 shown at high pressure port (Standard)
for CCW lead end rotation motors and thin fluids

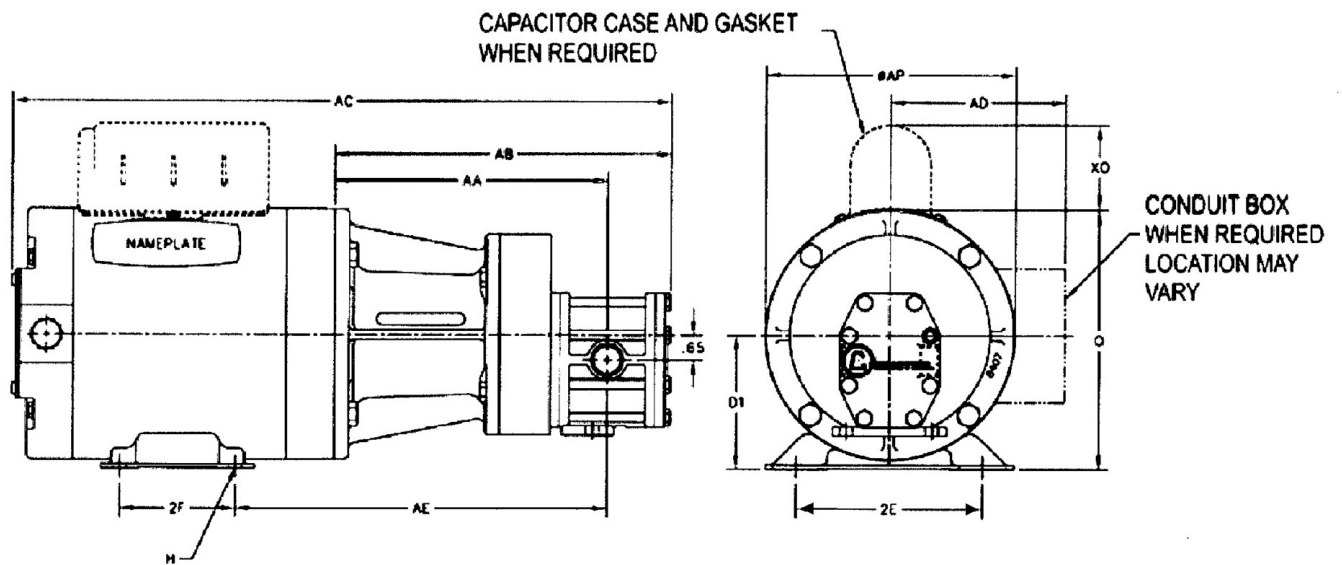
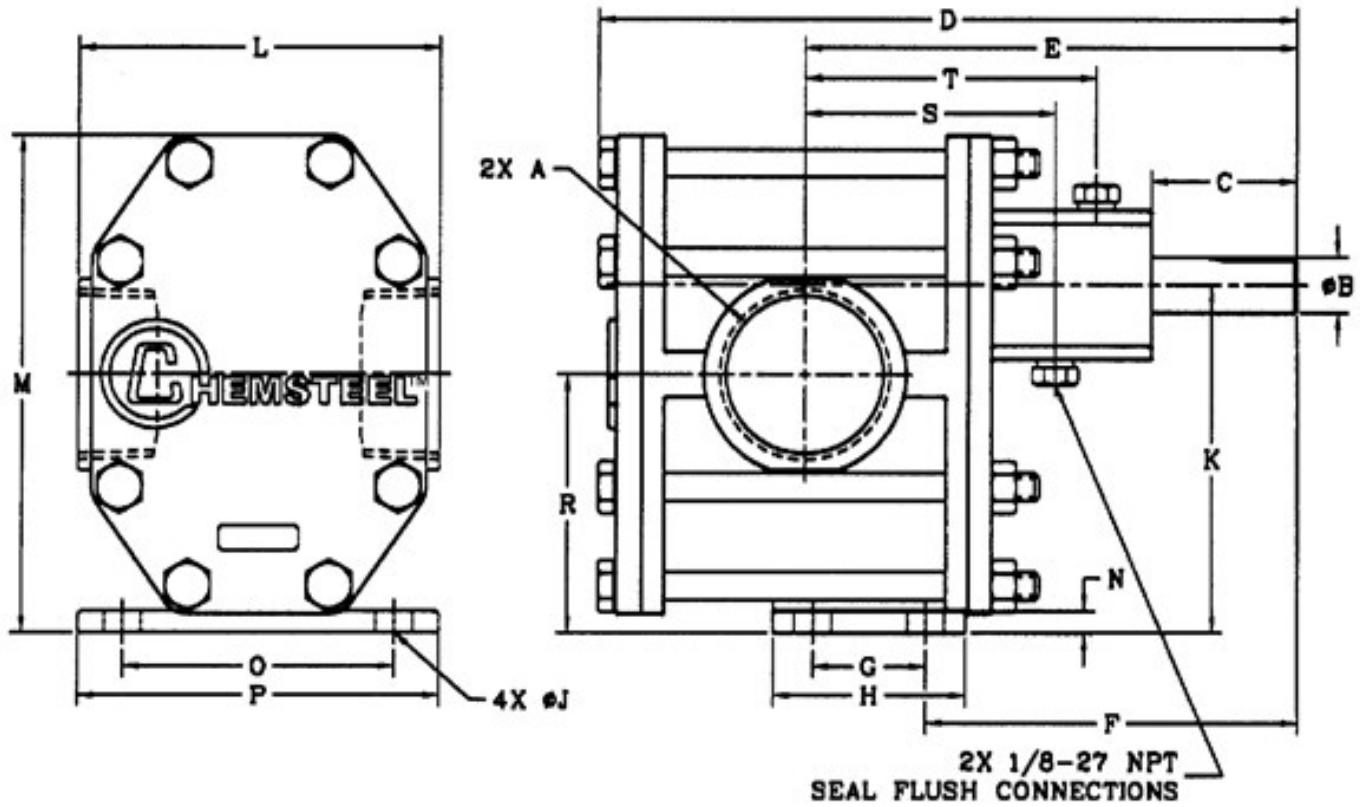


Magnetically Driven
with No Shaft Seal
(New Style)

Item # with N suffix indicates
it is a New Part Number

Series	Model	Repair Kit
S207 M	S20739CD-F81	S20739CD-F81K
	S20738CC	S20738CCK
	S20735CD-C1	S20735CD-C1K
	S20735CD	S20735CDK
	S20734PF	S20734PFK
	S20734CD-C1	S20734CD-C1K
	S20734CD	S20734CDK
	S20731CP-X1	S20731CP-X1K
	S20731CP-3	S20731CP-3K
	S20731CP	S20731CPK
	S20731CN	S20731CNK
	S20731CD-E	S20731CD-EK
	S20731CD-3	S20731CD-3K
	S20731CD	S20731CDK
	S2071FPQ	S2071FPQK
	S2071FPN	S2071FPNK
	S2071FPJ	S2071FPJK
	S2071FPC-C1	S2071FPC-C1K
	S2071FPC	S2071FPCK
	S2071FPB-J98	S2071FPB-J98K
	S2071FPB-C2	S2071FPB-C2K
	S2071FPB	S2071FPBK
	S2071FPA-C2	S2071FPA-C2K
	S2071FPA-C1	S2071FPA-C1K
	S2071FPA	S2071FPAK
	S2071FJJ	S2071FJJK
	S2071FJA	S2071FJAK
	S2071FCQ	S2071FCQK
	S2071FCN	S2071FCNK
	S2071FCC	S2071FCCK
	S2071FCB-C4	S2071FCB-C4K
	S2071FCB-C3	S2071FCB-C3K
	S2071FCB-C1	S2071FCB-C1K
	S2071FCB	S2071FCBK
	S2071FCA-C1	S2071FCA-C1K
	S2071FCA	S2071FCAK
	S2071EPZ	S2071EPZK
	S2071ECQ	S2071ECQK
	S2071ECJ	S2071ECJK
	S2071ECB-E	S2071ECB-EK
	S2071ECB-C5	S2071ECB-C5K
	S2071ECB-C4	S2071ECB-C4K

DIMENSIONS



MAINTENANCE

A three-part housing provides easy disassembly and service. Full size bearings match the gear diameter, and eliminate the need for separate wear plates. TFE encapsulating silicone o-ring pump housing seals provide elastic memory to assure an effective long lasting seal and thus avoiding the re-torquing required of pumps using pure TFE. The upper shaft configuration lends itself to inline pump seal maintenance without the leakage of trapped chemicals from an incompletely drained pump. To order a CHEMKIT™ parts kit, simply add a “K” to the end of the model number. A repair kit contains the following parts: seals, bearings, gears, o-rings, shafts, keys, c clips, and retaining ring.

LIFE CYCLE/COST OF OWNERSHIP

Pump design and materials selection, together provide the longest life available from a gear pump. Key attributes include:

- Gear & bearing combinations of metallic and nonmetallic wear surfaces.
- Slotted bearings to lubricate shaft and gear surfaces.
- Hydraulic porting to balance axial thrust and to reduce wear.
- Ample port sizing to reduce the likelihood of cavitation when inlet pressure is marginal.
- Effective housing seals with elastic memory prevent leakage of corrosives.

FIT

Connections are 1/2” female NPT or BSPT, pump hardware is metric and close couple adapters mount to both NEMA and IEC standard motor frame sizes for worldwide acceptance. “Near” dimensional interchangeability offers easy upgrade to CHEMSTEEL™ pump. The port size is the same as competitive pumps.