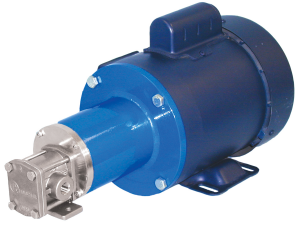


CHEMSTEEL™ PUMP

CHEMSTEEL PUMPS SERIES RM102 M

PERFORMANCE



FEATURES

Gear/bearing design allows for “trimming” for optimizing the pump’s maximum flow to reach minimum turndown or to match flow to a specific OEM’s requirement.

Special materials combinations are available for specific liquids:

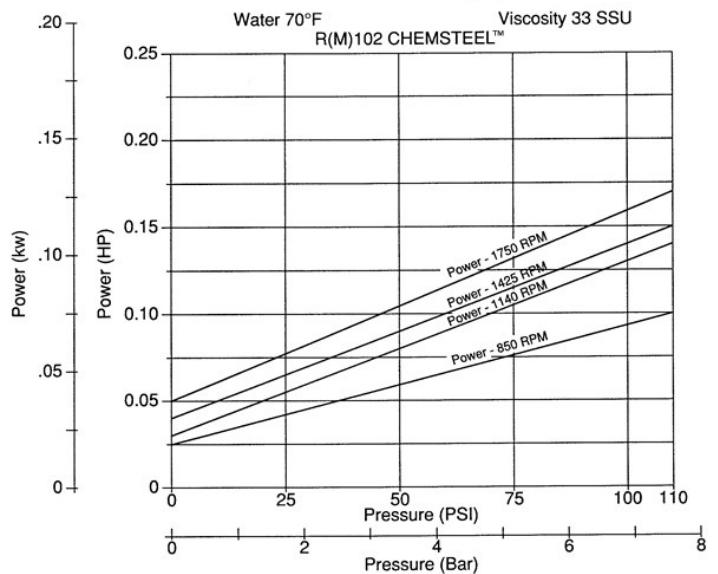
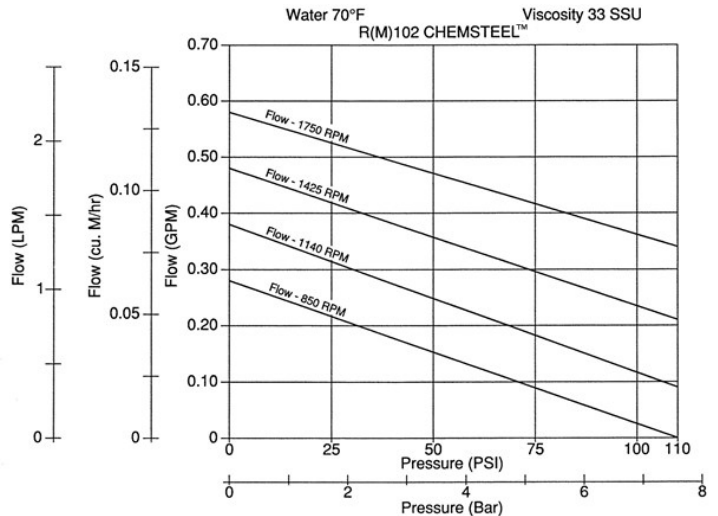
- Stainless or Alloy C housing construction.
- Gears available in 316 stainless and Alloy C. Also in Polytetrafluoroethylene (PTFE) and Polyetheretherketone
- Shafts are 316 stainless steel or Alloy C.
- Bearings available in Carbon or Polytetrafluoroethylene (PTFE)

DRIVE

The pump is driven directly from the electric motor shaft by means of a flexible coupling. A close-coupled adapter connects the pump to the motor.

LIQUIDS AND TEMPERATURE

This pump is suitable to handle clear lubricating and non-lubricating fluids at temperatures to 450F. These pumps will handle viscous fluids to 100,000 cps (462,000 SSU) at reduced shaft speeds.



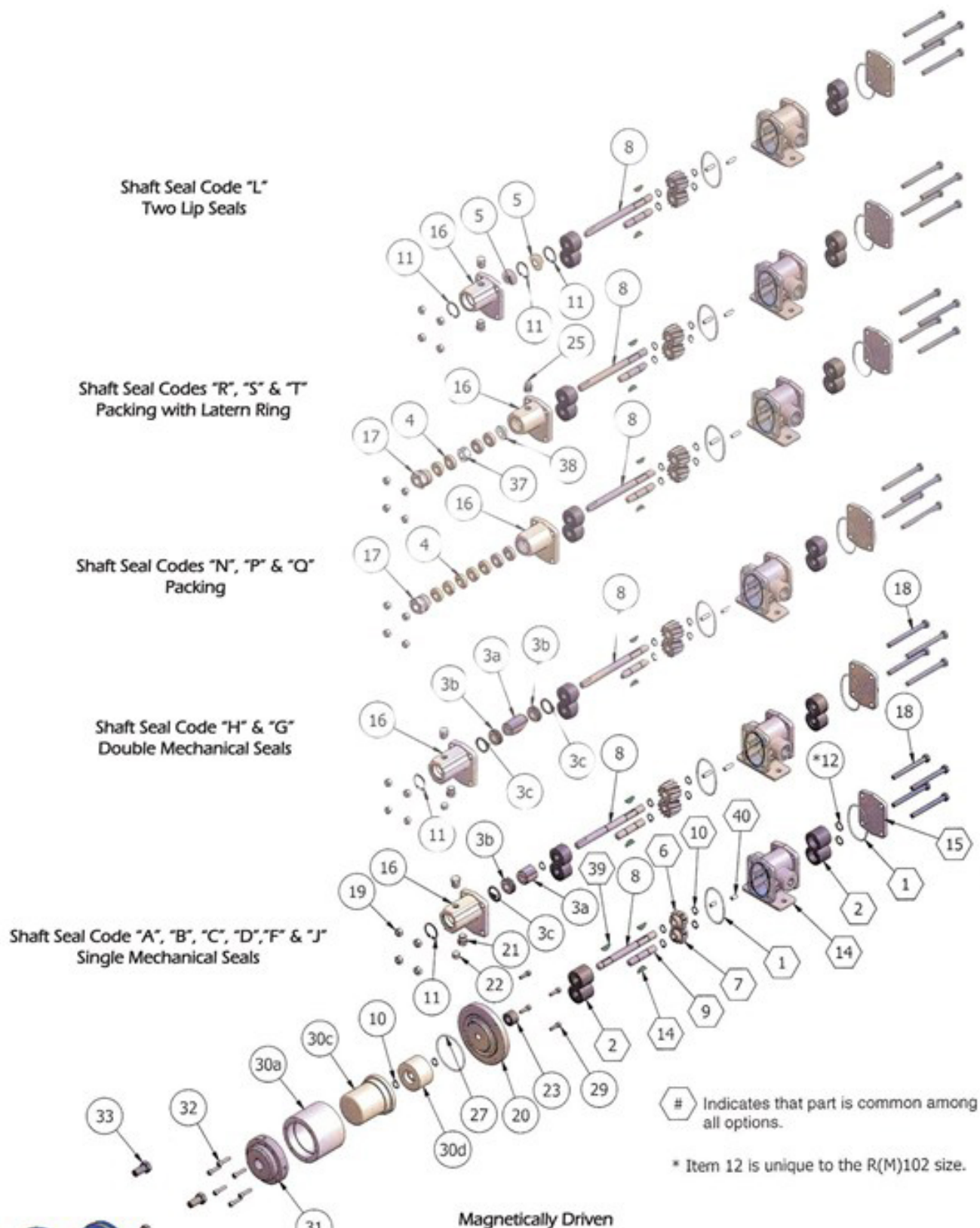
SUCTION LIFT

This pump has a suction lift capability of 20 feet for a new pump. Though gear pumps are self-priming, a foot valve is recommended. If possible, wet gears with the liquid to be pumped for the first dry start. Liquid retained in the system and gear chambers serves to wet the pump on subsequent starts.

EXPLODED VIEW AND PARTS LIST

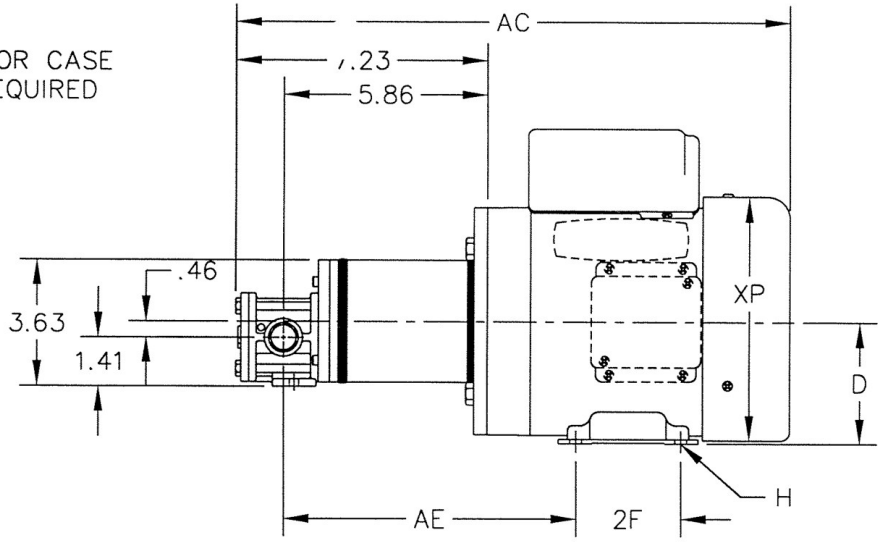
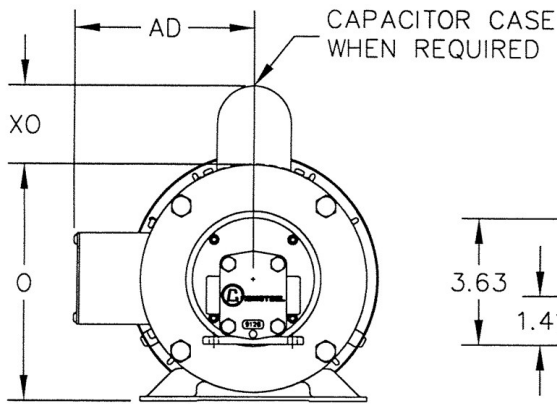
CHEMSTEEL™

R(M) 102, R(M) 103, R(M) 104 & R(M) 106 METALLIC EXPLODED VIEW

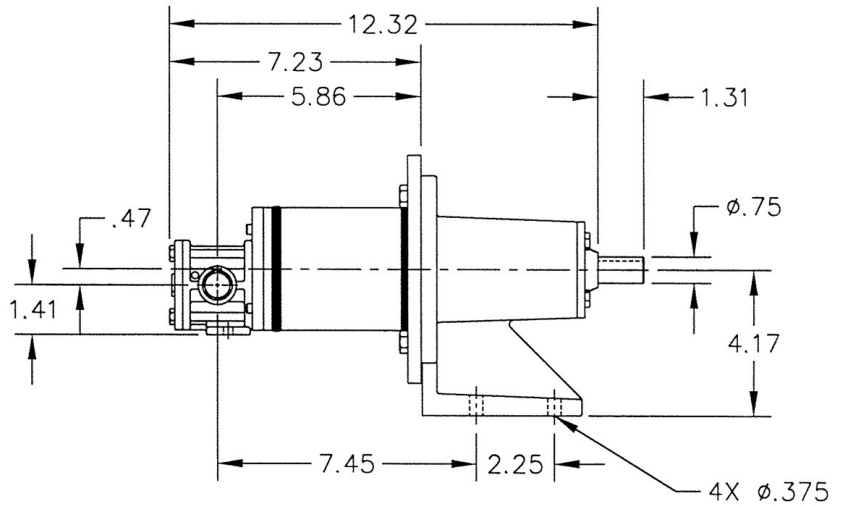
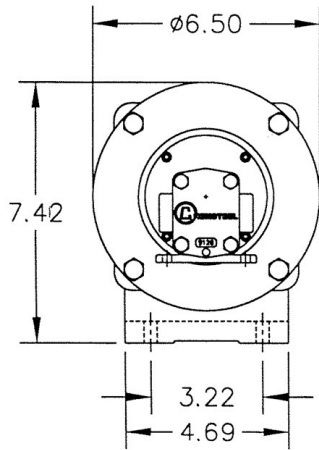


Series	Model	Repair Kit
RM102 M	RM10239CW-T5M1	RM10239CW-T5M1K
	RM10239CW-T5	RM10239CW-T5K
	RM10239CW	RM10239CWK
	RM10237PW-M1	RM10237PW-M1K
	RM10237JW-T12M1	RM10237JW-T12M1K
	RM10235CW-M1	RM10235CW-M1K
	RM10234JW-M1	RM10234JW-M1K
	RM10234CW-M1	RM10234CW-M1K
	RM1021FPWM1-F50	RM1021FPWM1-F50K
	RM1021FPW	RM1021FPWK
	RM1021FCW-M1	RM1021FCW-M1K
	RM1021ECW-M1	RM1021ECW-M1K
	RM1021ECW	RM1021ECWK
	RM10216CWM1-F50	RM10216CWM1-F50K
	RM10216CW-M1	RM10216CW-M1K
	RM10216CW	RM10216CWK
	RM10212PW-F97	RM10212PW-F97K
	RM10212PW	RM10212PWK
	RM10212CW-T5M1	RM10212CW-T5M1K
	RM10212CW-T5	RM10212CW-T5K
	RM10212CW-M1	RM10212CW-M1K
	RM10212CW	RM10212CWK

DIMENSIONS



RM1 MAG DRIVE



RM1 MAG DRIVE W/ PEDESTAL

MAINTENANCE

A three-part housing provides easy disassembly and service. Full size bearings match the gear diameter, and eliminate the need for separate wear plates. TFE encapsulating silicone o-ring pump housing seals provide elastic memory to assure an effective long lasting seal and thus avoiding the re-torquing required of pumps using pure TFE.

To order a CHEMKIT™ parts kit, simply add a “K” to the end of the model number.

A repair kit contains the following parts: bearings, gears, o-rings, shafts, keys, c clips, and retaining rings.

LIFE CYCLE/COST OF OWNERSHIP

Pump design and materials selection, together provide the longest life available from a gear pump.

Key attributes include:

- Gear & bearing combinations of metallic and nonmetallic wear surfaces.
- Slotted bearings to lubricate shaft and gear surfaces.
- Ample port sizing to reduce the likelihood of cavitation when inlet pressure is marginal.
- Effective housing seals with elastic memory prevent leakage of corrosives.

FIT

Connections are 1/4” female NPT or BSPT, pump hardware is metric and close couple adapters mount to both NEMA and IEC standard motor frame sizes for worldwide acceptance.