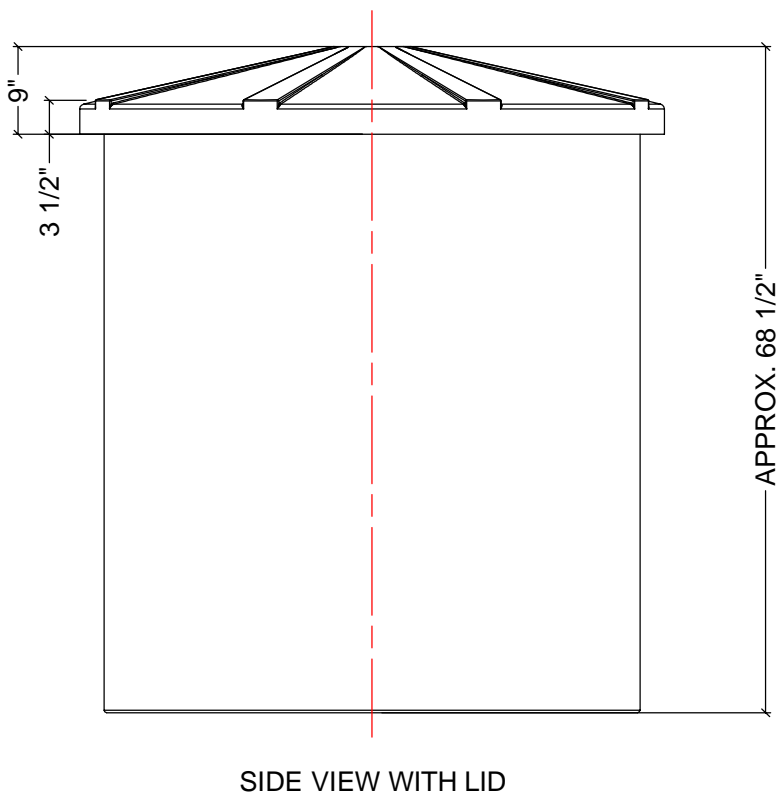
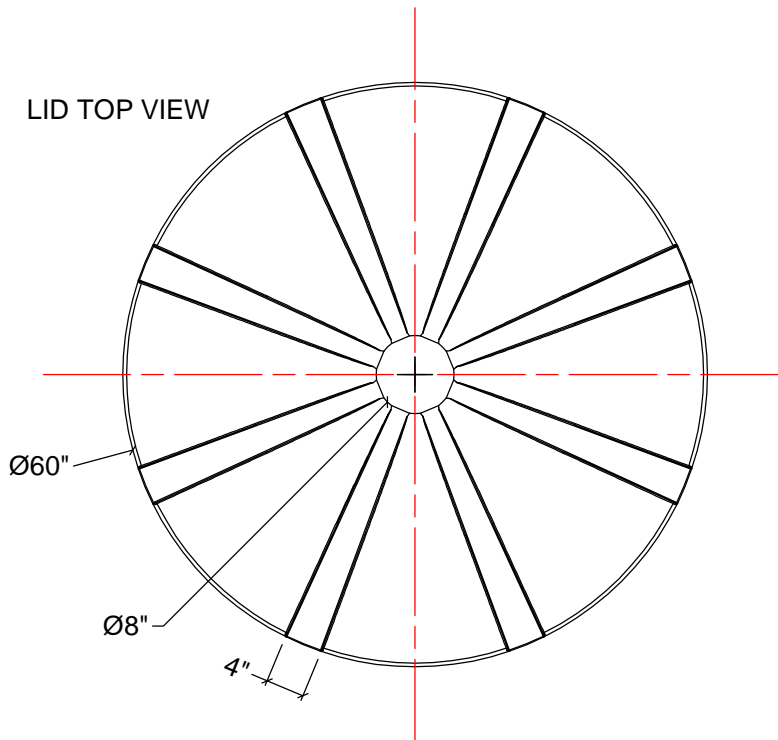
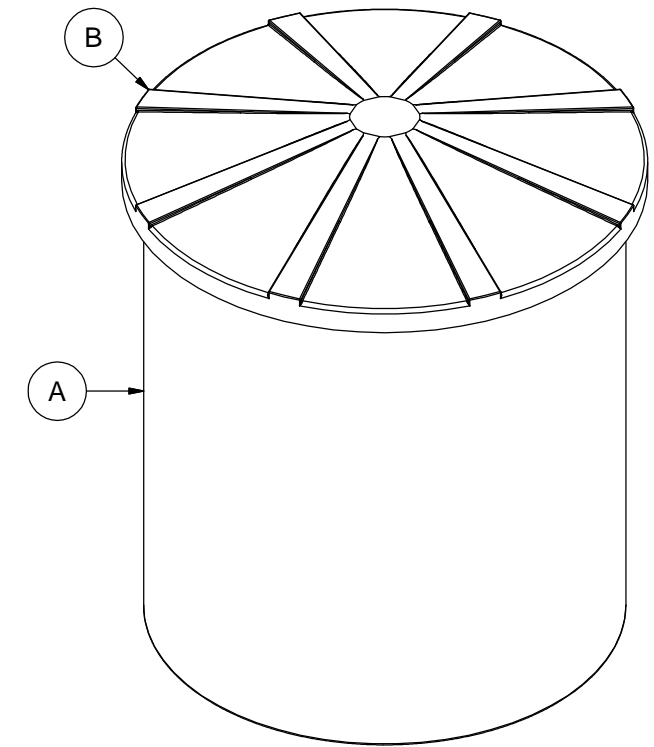


NOTES:

1. TANK IS MANUFACTURED TO ASTM-D-1998 STANDARD.
2. ALL DIMENSIONS ARE APPROXIMATE.



| MATERIALS LIST |                      |       |
|----------------|----------------------|-------|
| ITEMS          | DESCRIPTION          | NOTES |
| A              | OT-500 OPEN TOP TANK |       |
| B              | LID FOR OT-500       |       |
|                |                      |       |
|                |                      |       |
|                |                      |       |
|                |                      |       |
|                |                      |       |



| REV   | DATE | DESCRIPTION                           | BY  | APPD     | REVD  |
|---|------|---------------------------------------|---|----------|-------|
| REVISIONS   |      |                                       |   |          |       |
| CUSTOMER  |      |                                       |   |          |       |
| TITLE<br>500 I.G. OPEN TOP TANK<br>WITH LID   |      |                                       | ACO JOB NO:<br>PURCHASE ORDER NO:<br>PURCHASER'S EQUIP. NO: |          |       |
| THIS DRAWING IS THE PROPERTY OF ACO CONTAINER SYSTEMS LTD.<br>AND SHALL NOT BE COPIED OR TRANSFERRED WITHOUT THE<br>WRITTEN CONSENT OF ACO CONTAINER SYSTEMS LTD. |      |                                       |   |          |       |
| ENGINEERS SEAL  |      | <b>ACO CONTAINER<br/>SYSTEMS LTD.</b> |   |          |       |
| ACO CONTAINER SYSTEMS LTD.<br>794 MCKAY RD.<br>PICKERING, ONTARIO, CANADA<br>L1W 2Y4<br>TEL. 905-683-8222<br>FAX 905-683-2969                                     |      | DESIGNED                              |   |          |       |
|   |      | DRAWN                                 |   | WM       |       |
|   |      | CHECKED                               |   |          |       |
|   |      | APPROVED                              |   |          |       |
|   |      | SCALE                                 |   | N.T.S.   |       |
|   |      | DATE                                  |   | 27-05-09 |       |
| DWG No  |      | OT-500-L                              |   |          | REV 0 |