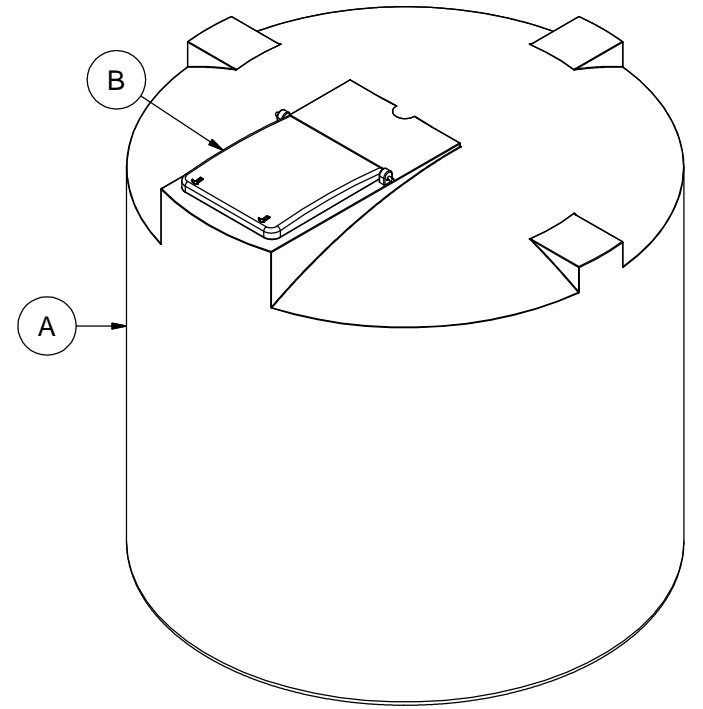
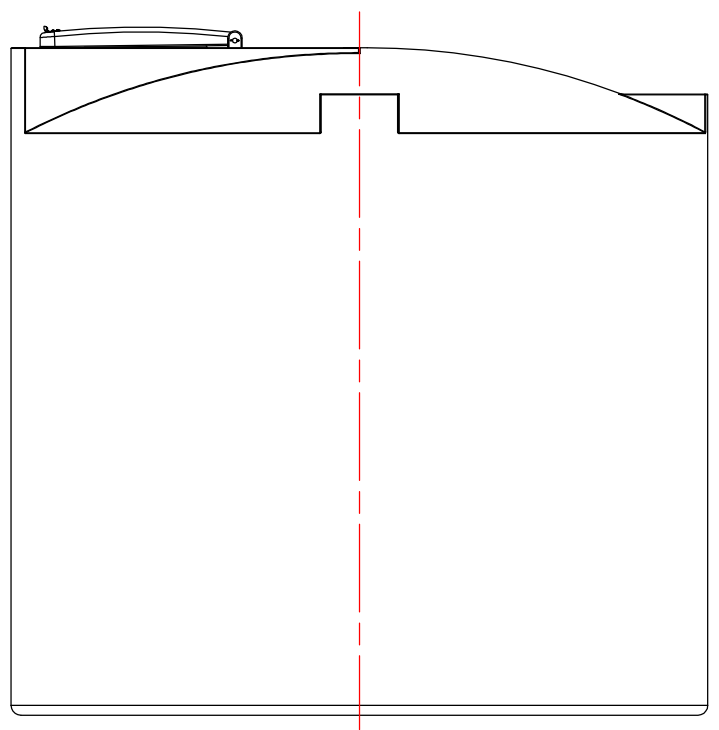
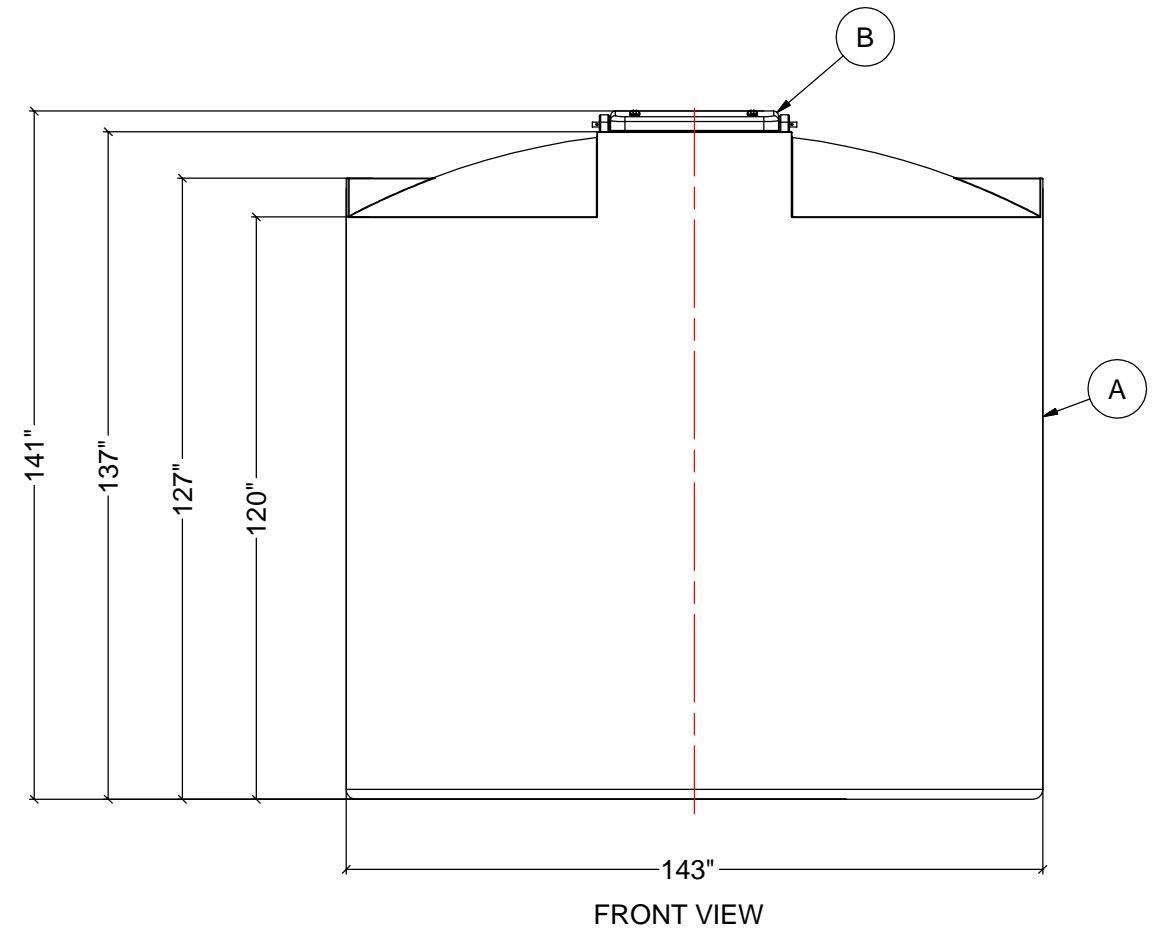


NOTES:
 1. TANK IS MANUFACTURED TO ASTM-D-1998 STANDARD.
 2. ALL DIMENSIONS ARE APPROXIMATE.

MATERIALS LIST		
ITEMS	DESCRIPTION	NOTES
A	CT-6500 TANK	
B	24" HDPE HINGED MAN WAY	



REV	DATE	DESCRIPTION	BY	APPD	REVD
REVISIONS					

CUSTOMER

TITLE: 6500 I.G. CLOSED TOP TANK

ACO JOB NO:

PURCHASE ORDER NO:

PURCHASER'S EQUIP. NO:

THIS DRAWING IS THE PROPERTY OF ACO CONTAINER SYSTEMS LTD. AND SHALL NOT BE COPIED OR TRANSFERRED WITHOUT THE WRITTEN CONSENT OF ACO CONTAINER SYSTEMS LTD.

ENGINEERS SEAL		ACO CONTAINER SYSTEMS LTD.	
PICKERING - ONTARIO - CANADA		DESIGNED	
ACO CONTAINER SYSTEMS LTD.		DRAWN	WM
794 MCKAY RD.		CHECKED	
PICKERING, ONTARIO, CANADA		APPROVED	
L1W 2Y4		SCALE	N.T.S.
TEL. 905-683-8222		DATE	19-05-09
FAX 905-683-2969			
DWG No	CT-6500	REV	0