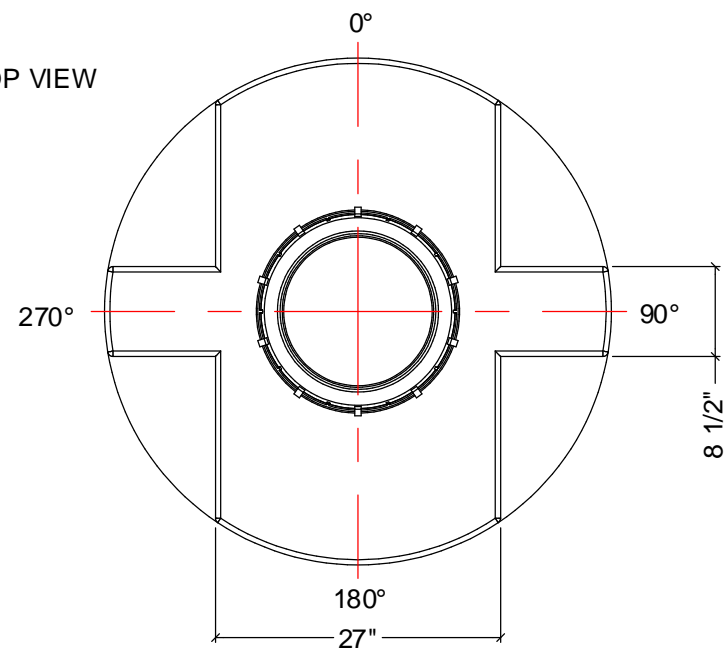
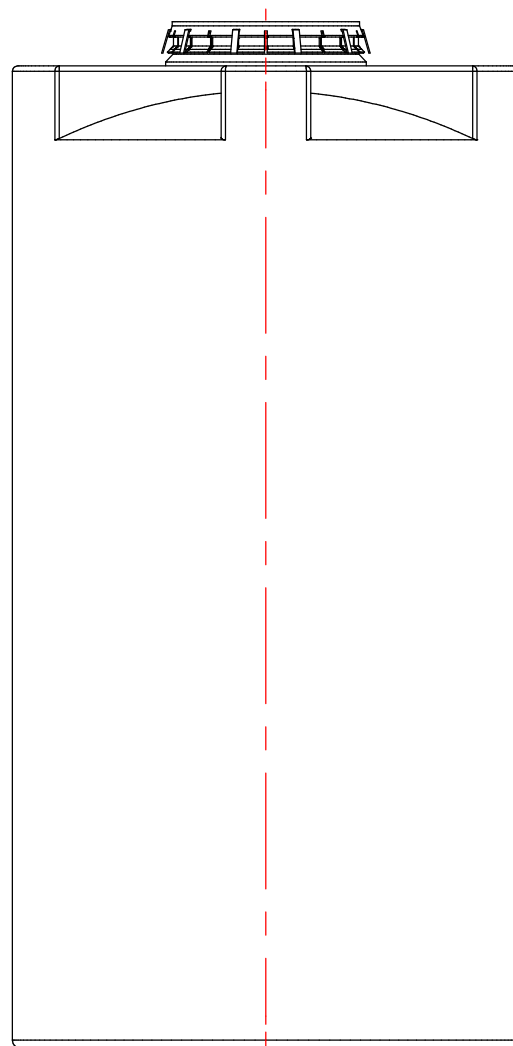
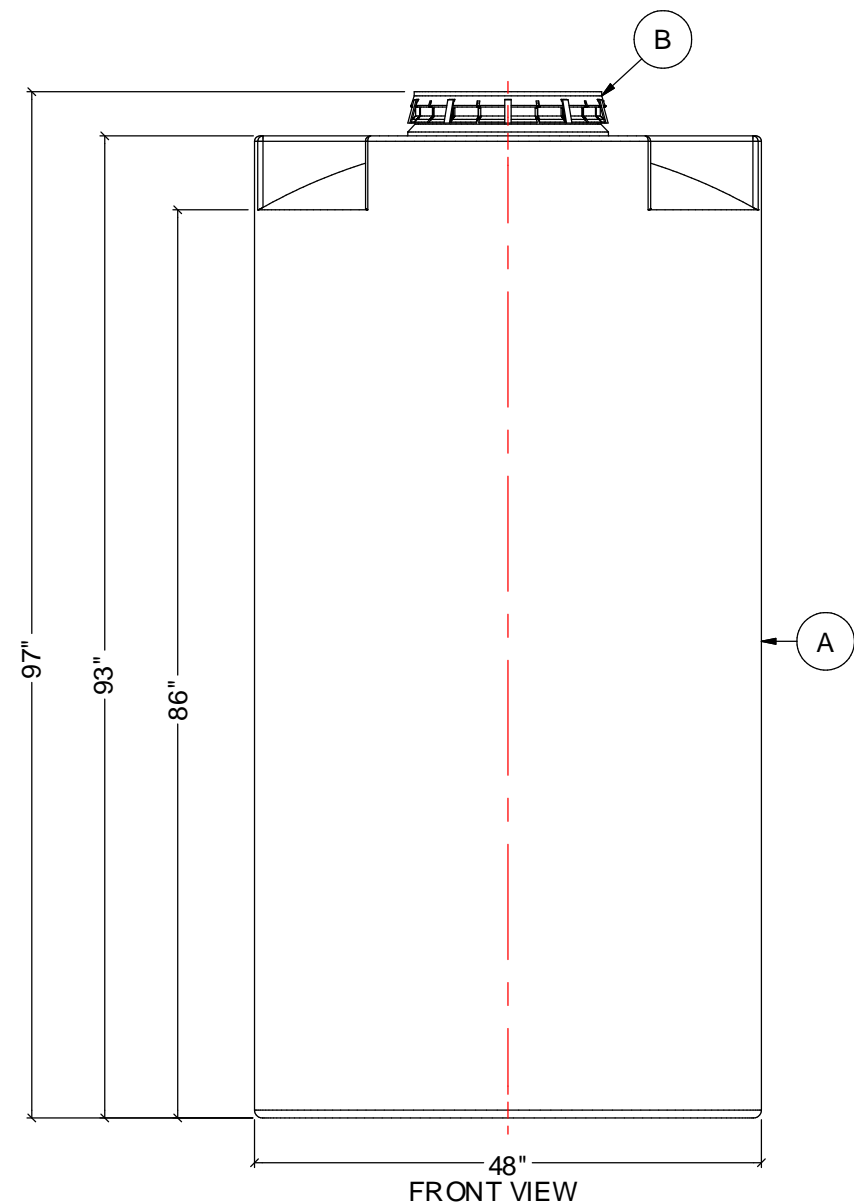


TOP VIEW



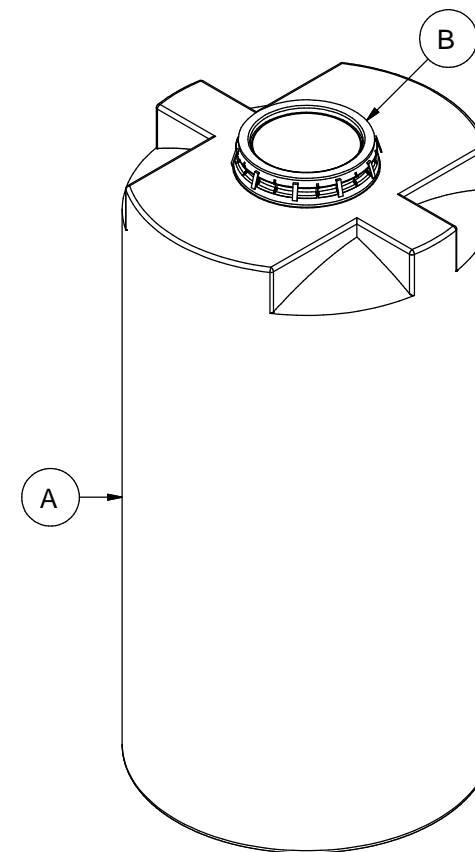
NOTES:

- 1. TANK IS MANUFACTURED TO ASTM-D-1998 STANDARD.
- 2. ALL DIMENSIONS ARE APPROXIMATE.



SIDE VIEW

MATERIALS LIST		
ITEMS	DESCRIPTION	NOTES
A	CT-500-CH TANK	
B	16" LID WITH LOCKING STRAP	



REV	DATE	DESCRIPTION	BY	APPD	REVD
REVISIONS					
CUSTOMER					
TITLE		ACO JOB NO:			
500 I.G. CLOSED TOP TANK		PURCHASE ORDER NO:			
		PURCHASER'S EQUIP. NO:			
THIS DRAWING IS THE PROPERTY OF ACO CONTAINER SYSTEMS LTD. AND SHALL NOT BE COPIED OR TRANSFERRED WITHOUT THE WRITTEN CONSENT OF ACO CONTAINER SYSTEMS LTD.					
ENGINEERS SEAL		ACO CONTAINER SYSTEMS LTD.			
		<small>PICKERING - ONTARIO - CANADA</small>			
		<small>ACO CONTAINER SYSTEMS LTD. 794 MCKAY RD. PICKERING, ONTARIO, CANADA L1W 2Y4 TEL. 905-683-8222 FAX 905-683-2969</small>		<small>DESIGNED</small>	
				<small>DRAWN</small> WM	
				<small>CHECKED</small>	
				<small>APPROVED</small>	
				<small>SCALE</small> N.T.S.	
				<small>DATE</small> 10-12-09	
		<small>DWG No</small> CT-500-CH			<small>REV</small> 0