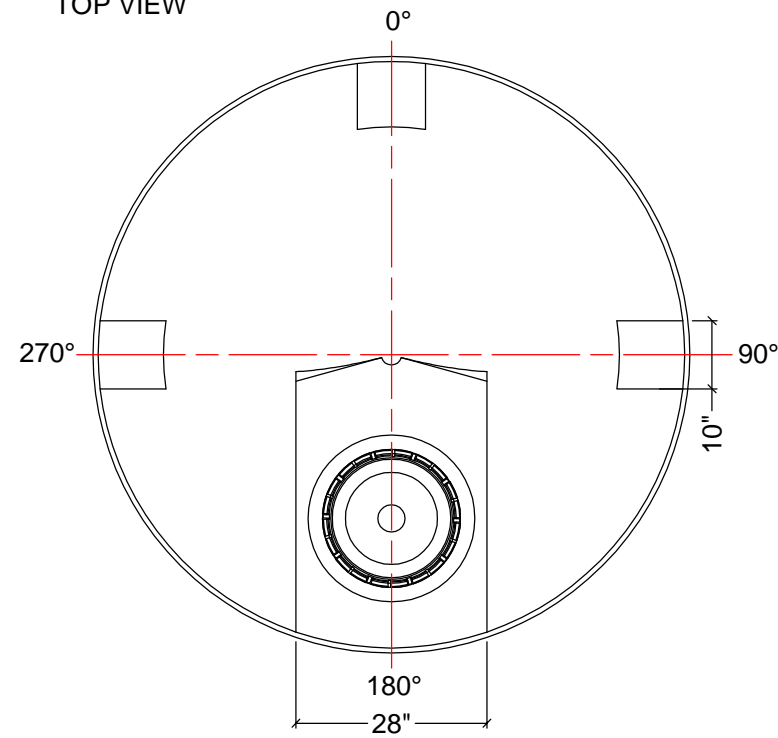


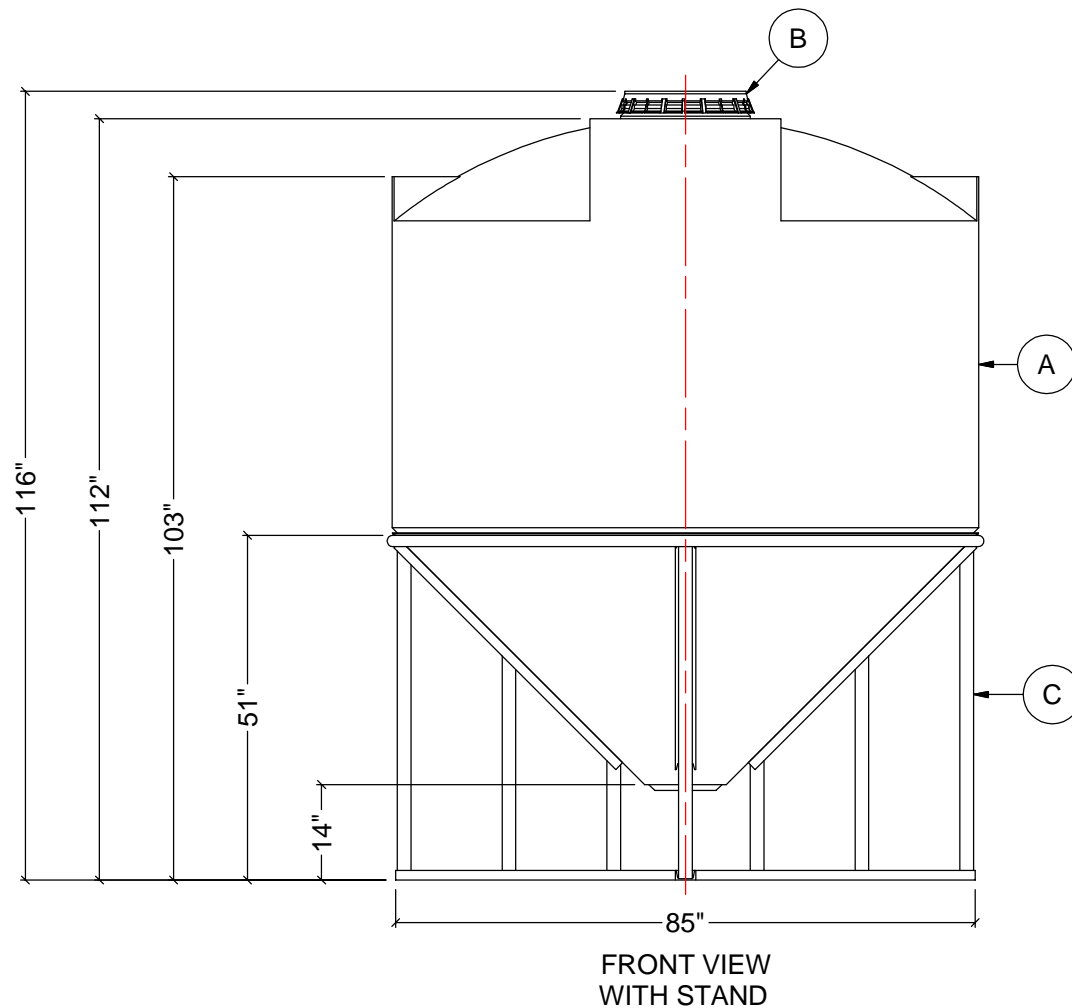
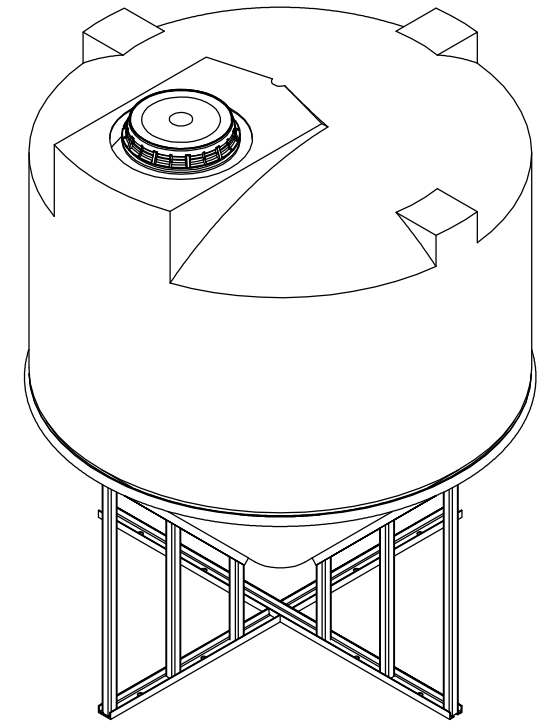
TOP VIEW



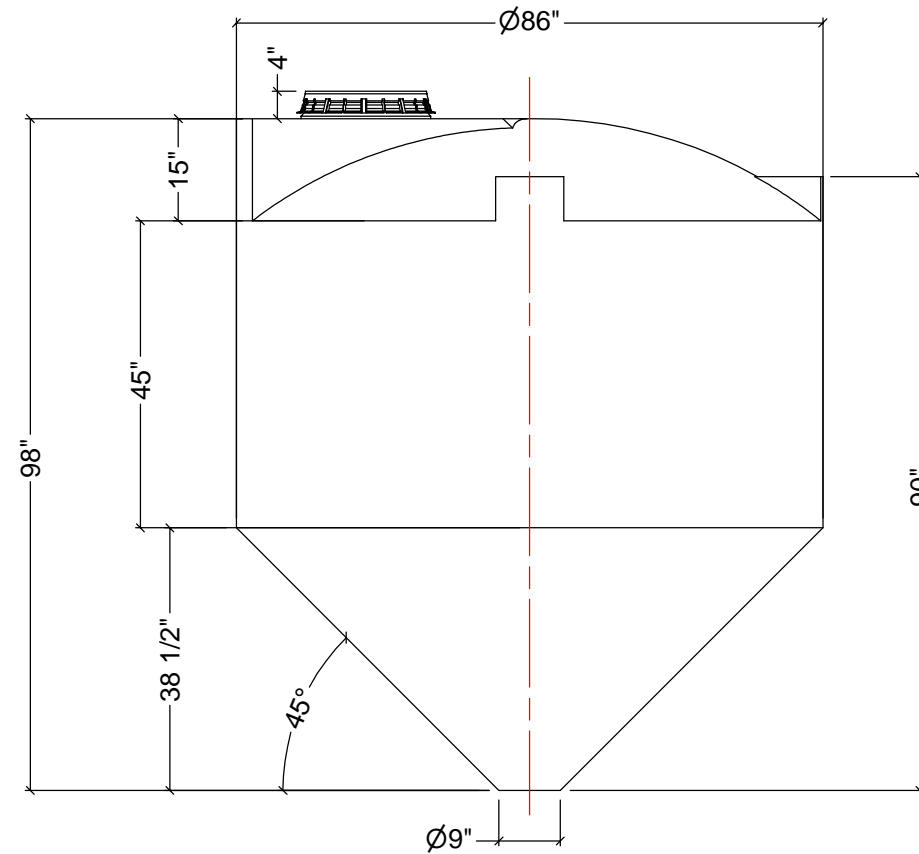
NOTES:

1. TANK IS MANUFACTURED TO ASTM-D-1998 STANDARD.
2. ALL DIMENSIONS ARE APPROXIMATE.

MATERIALS LIST		
ITEMS	DESCRIPTION	NOTES
A	CBC-1300 TANK	
B	16" LID WITH LOCKING STRAP (OPTIONAL 21" THREADED LID)	
C	STEEL STAND FOR CBC-1300	



FRONT VIEW WITH STAND



SIDE VIEW NO STAND

REV	DATE	DESCRIPTION	BY	APPD	REVD	
REVISIONS						
CUSTOMER						
TITLE CBC-1300 WITH STEEL STAND			ACO JOB NO: PURCHASE ORDER NO: PURCHASER'S EQUIP. NO:			
THIS DRAWING IS THE PROPERTY OF ACO CONTAINER SYSTEMS LTD. AND SHALL NOT BE COPIED OR TRANSFERRED WITHOUT THE WRITTEN CONSENT OF ACO CONTAINER SYSTEMS LTD.						
ENGINEERS SEAL		<b>ACO CONTAINER SYSTEMS LTD.</b> <small>PICKERING - ONTARIO - CANADA</small> ACO CONTAINER SYSTEMS LTD. 794 MCKAY RD. PICKERING, ONTARIO, CANADA L1W 2Y4 TEL. 905-683-8222 FAX 905-683-2969				
		DESIGNED		WM		
		DRAWN				
		CHECKED				
		APPROVED				
		SCALE		N.T.S.		
		DATE		26-03-09		
DWG No		CBC-1300			REV	0