

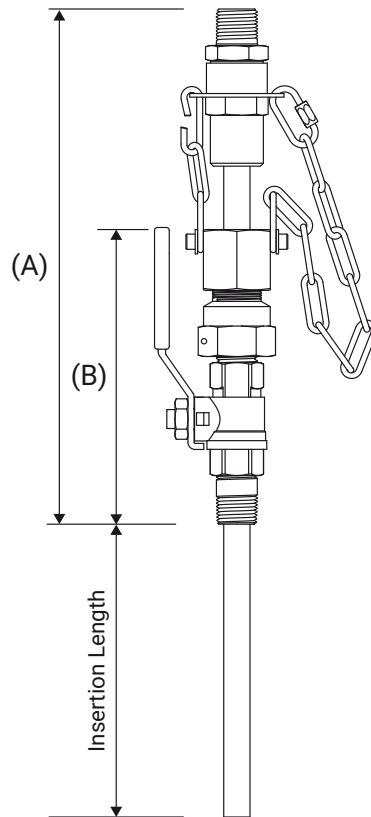
EB-120



Standard Service Retractable Injection Quill 1/2" Valve x 1/4" Tube with Integrated Check Valve

SPECIFICATIONS

SAFETY RATING	150 PSI
CHECK VALVE	INTEGRATED SPRING LOADED BALL CHECK VALVE ¹
SAF-T-SEAL TIP	N/A
QUICK DISCONNECT	N/A
VALVE/PROCESS CONNECTION SIZE	1/2" MNPT
INLET CONNECTION SIZE	1/2" MNPT
SOLUTION TUBE SIZE	1/4"
SOLUTION TUBE ID (PVC, CPVC)	0.302"
SOLUTION TUBE ID (ALLOY)	0.364"
SOLUTION TUBE OD (ALL)	0.540"
(A) OPERATING LENGTH	11"
(B) VALVE/GLAND LENGTH	6.5"
EXTRACTION LENGTH	17.5" + INSERTION LENGTH



ORDERING INFORMATION

SERIES	VALVE MATERIAL	SOLUTION TUBE MATERIAL	INSERTION LENGTH ²	TIP CONFIGURATION	CHECK VALVE SEAL
EB-120	-	-	-	-	-
	B = Brass S = Stainless Steel	P = PVC C = CPVC A = ALLOY 20 H = HASTELLOY® C276 S = 316SS	2 = 2" 4 = 4" 6 = 6" <u>Alloy Tubes Only</u> 8 = 8" 10 = 10" 12 = 12" 18 = 18" 24 = 24"	0 = Standard B = 45° Bevel	V = FKM E = EPDM K = KALREZ 6375

TECH NOTES

1. Check valve spring cracking pressure is 10 PSI.
2. Maximum insertion length for 1/4" PVC and CPVC solution tubes is 6". PVC and CPVC solution tubes are not covered by warranty when used in process flows with velocities 6 fps or greater.