

EB-191

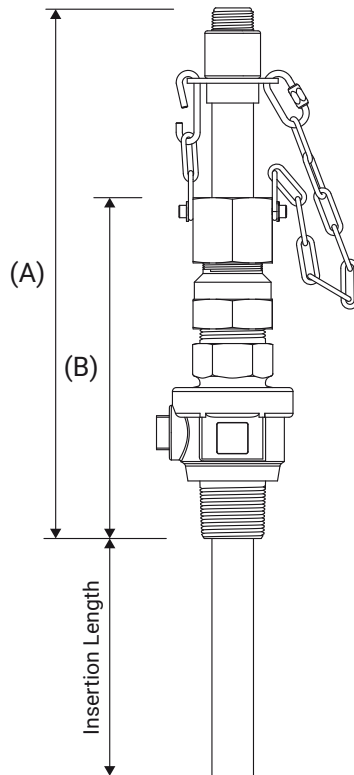
Standard Service Retractable Injection Quill

1-1/4" Valve x 3/4" Tube



SPECIFICATIONS

SAFETY RATING	150 PSI
CHECK VALVE	NO
SAF-T-SEAL TIP	OPTIONAL
QUICK DISCONNECT	NO
VALVE/PROCESS CONNECTION SIZE	1-1/4" MNPT
INLET CONNECTION SIZE	3/4" MNPT
SOLUTION TUBE SIZE	3/4"
SOLUTION TUBE ID (PVC, CPVC)	0.742"
SOLUTION TUBE ID (ALLOY)	0.824"
SOLUTION TUBE OD	1.050"
(A) OPERATING LENGTH	13.5"
(B) VALVE/GLAND LENGTH	8.75"
EXTRACTION LENGTH	22.25" + INSERTION LENGTH



ORDERING INFORMATION

SERIES	VALVE MATERIAL	SOLUTION TUBE MATERIAL	INSERTION LENGTH ¹	TIP CONFIGURATION	CHECK VALVE
EB-191					
	B = Brass	P = PVC C = CPVC A = ALLOY 20 H = HASTELLOY® C276 S = 316SS T = Titanium Gr. 2	2 = 2" 4 = 4" 6 = 6" 8 = 8" <u>Alloy Tubes Only</u> 10 = 10" 12 = 12" 18 = 18" 24 = 24"	0 = Standard B = 45° Bevel DH = Diffuser Holes	00 = No Check Valve 01 = PVC, FKM 02 = PVC, EPDM 03 = CPVC, FKM 04 = CPVC, EPDM 05 = Alloy, FKM 06 = Alloy, EPDM

TECH NOTES

1. Main connection thread type is NPT by default. CC (AWWA) also available. Consult factory for details.
2. Maximum insertion length for 3/4" PVC and CPVC solution tubes is 8". PVC and CPVC solution tubes are not covered by warranty when used in process flows with velocities 6 fps or greater.
3. Diffuser hole configurations to be determined by customer. SAF-T-FLO does not provide recommendations regarding diffuser hole layouts.
4. PVC and CPVC check valve options are floating ball type. Alloy check valves are spring loaded. Alloy check valves are same material as solution tube.