

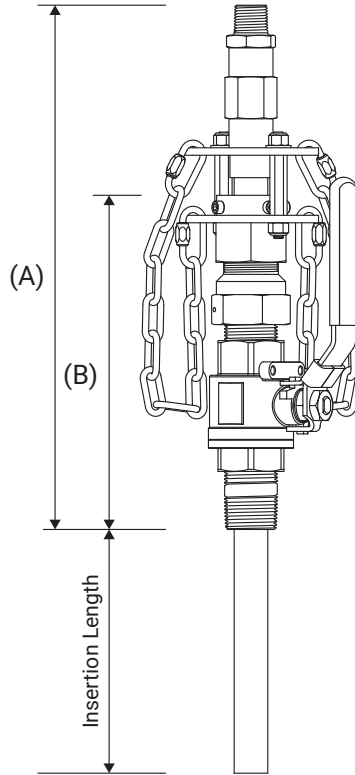
EB-155

Heavy Service Retractable Injection Quill 1" Valve x 1/2" Tube with Check Valve



SPECIFICATIONS

SAFETY RATING	250 PSI
CHECK VALVE	INTEGRATED SPRING LOADED BALL CHECK VALVE
SAF-T-SEAL TIP	OPTIONAL
QUICK DISCONNECT	NO
VALVE/PROCESS CONNECTION SIZE	1"
INLET CONNECTION SIZE	1/2"
SOLUTION TUBE SIZE	1/2"
SOLUTION TUBE ID (W/SAF-T-SEAL)	0.546"
SOLUTION TUBE ID (W/O SAF-T-SEAL)	0.622"
SOLUTION TUBE OD	0.840"
(A) OPERATING LENGTH	13.25"
(B) VALVE/GLAND LENGTH	8.5"
EXTRACTION LENGTH	21.75" + INSERTION LENGTH



ORDERING INFORMATION

SERIES	VALVE MATERIAL	SOLUTION TUBE MATERIAL	INSERTION LENGTH	TIP CONFIGURATION	CHECK VALVE SEAL
EB-155	<input type="checkbox"/>	<input type="checkbox"/>	<input type="checkbox"/>	<input type="checkbox"/>	<input type="checkbox"/>
	S = Stainless Steel	A = ALLOY 20 H = HASTELLOY® C276 S = 316SS T = Titanium Gr.2	2 = 2" 4 = 4" 6 = 6" 8 = 8" 10 = 10" 12 = 12" 18 = 18" 24 = 24"	0 = Standard B = 45° Bevel CV = SAF-T-Seal, FKM CE = SAF-T-Seal, EPDM	V = FKM E = EPDM K = KALREZ 6375
				*SAF-T-Seal tip not available with Titanium Solution Tubes	

TECH NOTES

1. Check valve spring cracking pressure is 5 PSI.
2. SAF-T-Seal tip availability with Titanium solution tube material is subject to change. Consult factory prior to selecting.