

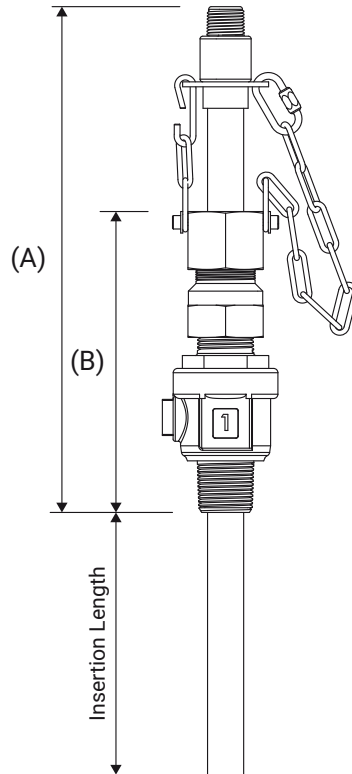
EB-132

Standard Service Retractable Injection Quill 1" Valve x 1/2" Tube



SPECIFICATIONS

SAFETY RATING	150 PSI
CHECK VALVE	NO
SAF-T-SEAL TIP	OPTIONAL
QUICK DISCONNECT	NO
VALVE/PROCESS CONNECTION SIZE	1" MNPT ¹
INLET CONNECTION SIZE	1/2" MNPT
SOLUTION TUBE SIZE	1/2"
SOLUTION TUBE ID (PVC, CPVC, & SAF-T-SEAL ALLOY)	0.546"
SOLUTION TUBE ID (NON-SAF-T-SEAL ALLOY)	0.622"
SOLUTION TUBE OD (ALL)	0.840"
(A) OPERATING LENGTH	12" - BRASS 13.25" - STAINLESS STEEL
(B) VALVE/GLAND LENGTH	7" - BRASS 8.25" - STAINLESS STEEL
EXTRACTION LENGTH	A + B + INSERTION LENGTH



ORDERING INFORMATION

SERIES	VALVE MATERIAL	SOLUTION TUBE	INSERTION LENGTH ²	TIP CONFIGURATION ³
EB-132	<input type="checkbox"/>	<input type="checkbox"/>	<input type="checkbox"/>	<input type="checkbox"/>
	B = Brass S = Stainless Steel	P = PVC C = CPVC A = ALLOY 20 H = HASTELLOY® C276 S = 316SS T = Titanium Gr. 2	2 = 2" 4 = 4" 6 = 6" <u>Alloy Tubes Only</u> 8 = 8" 10 = 10" 12 = 12" 18 = 18" 24 = 24"	0 = Standard B = 45° Bevel CE = SAF-T-Seal Tip EPDM CV = SAF-T-Seal Tip FKM

TECH NOTES

1. Main connection is NPT by default. CC (AWWA) is also available. Consult factory for details.
2. The maximum insertion length for 1/2" PVC and CPVC solution tubes is 6". PVC and CPVC solution tubes are not covered by warranty when used in process flows with velocities 6 fps or greater.
3. Availability of titanium solution tubes with a SAF-T-Seal tip is subject to change. Please inquire prior to selecting this configuration.