

Innovation in Metering Pump Technology



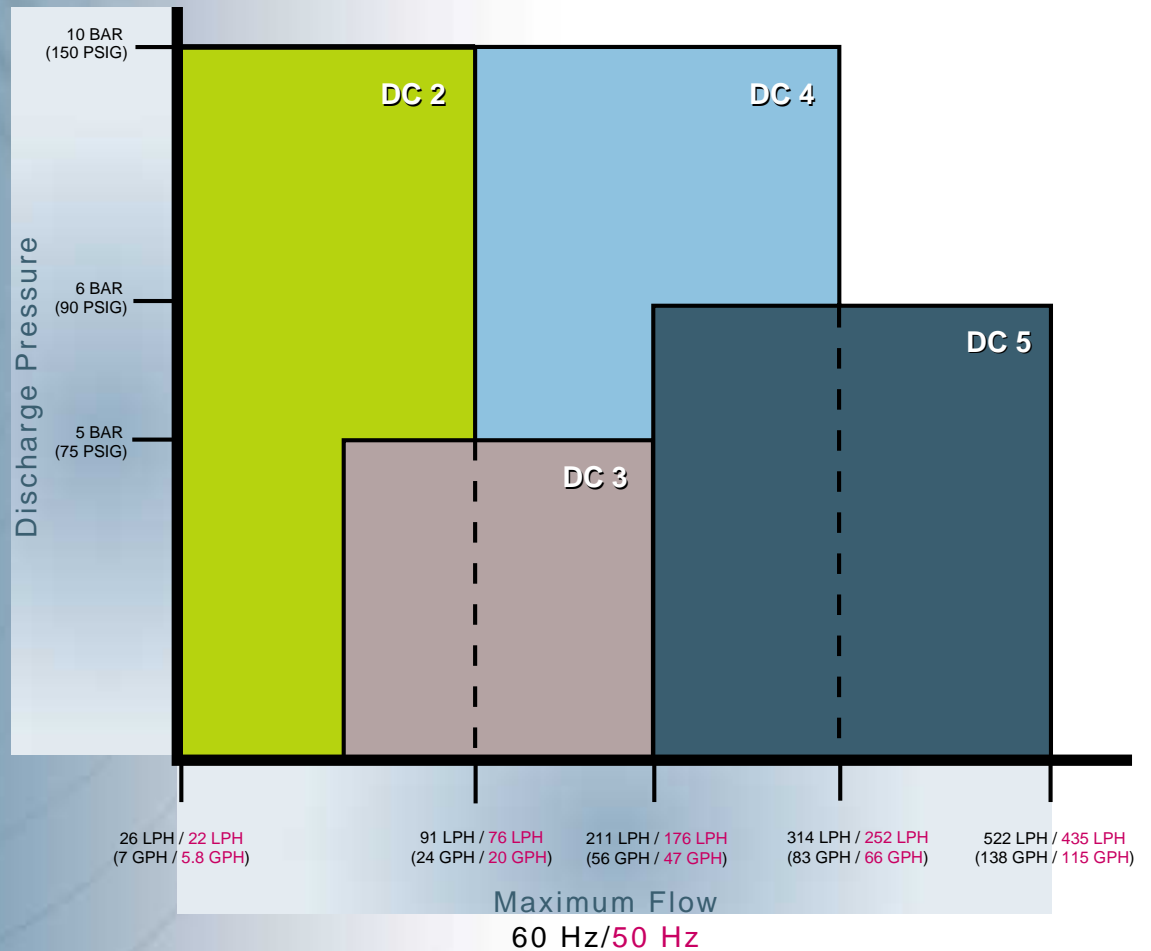
Economic
Compact
Simple
Rugged

Pulsafeeder Technology

Pulsafeeder, the global leader in liquid chemical feed innovation, continues to bring new technology into the metering pump industry. The OMNI series is designed to be an economical, compact, rugged, simple and reliable diaphragm metering pump.

OMNI Highlights

- Metering accuracy to +/- 2% of flow
- Turndown capability adjustable up to 1000:1 with MPC on selected models



Markets

Agriculture

Chemical

Food & Beverage

General Industries

Mining

Paints & Dyes

Petrochemical

Petroleum

Pulp & Paper

Power & Energy

Water Treatment

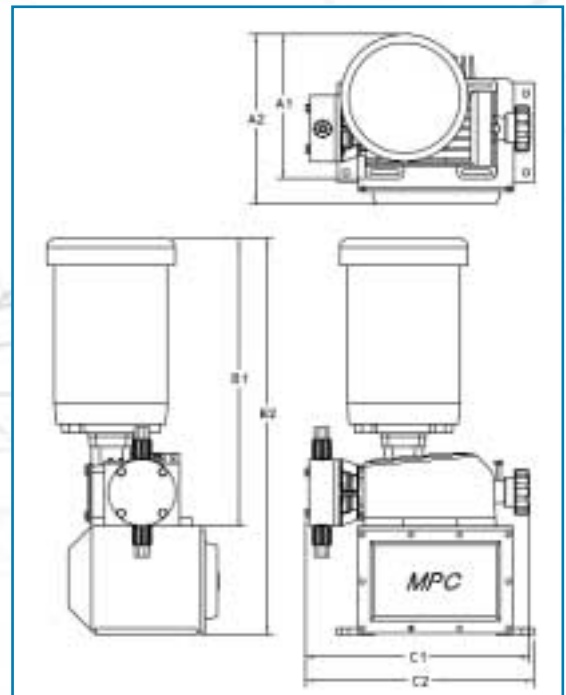
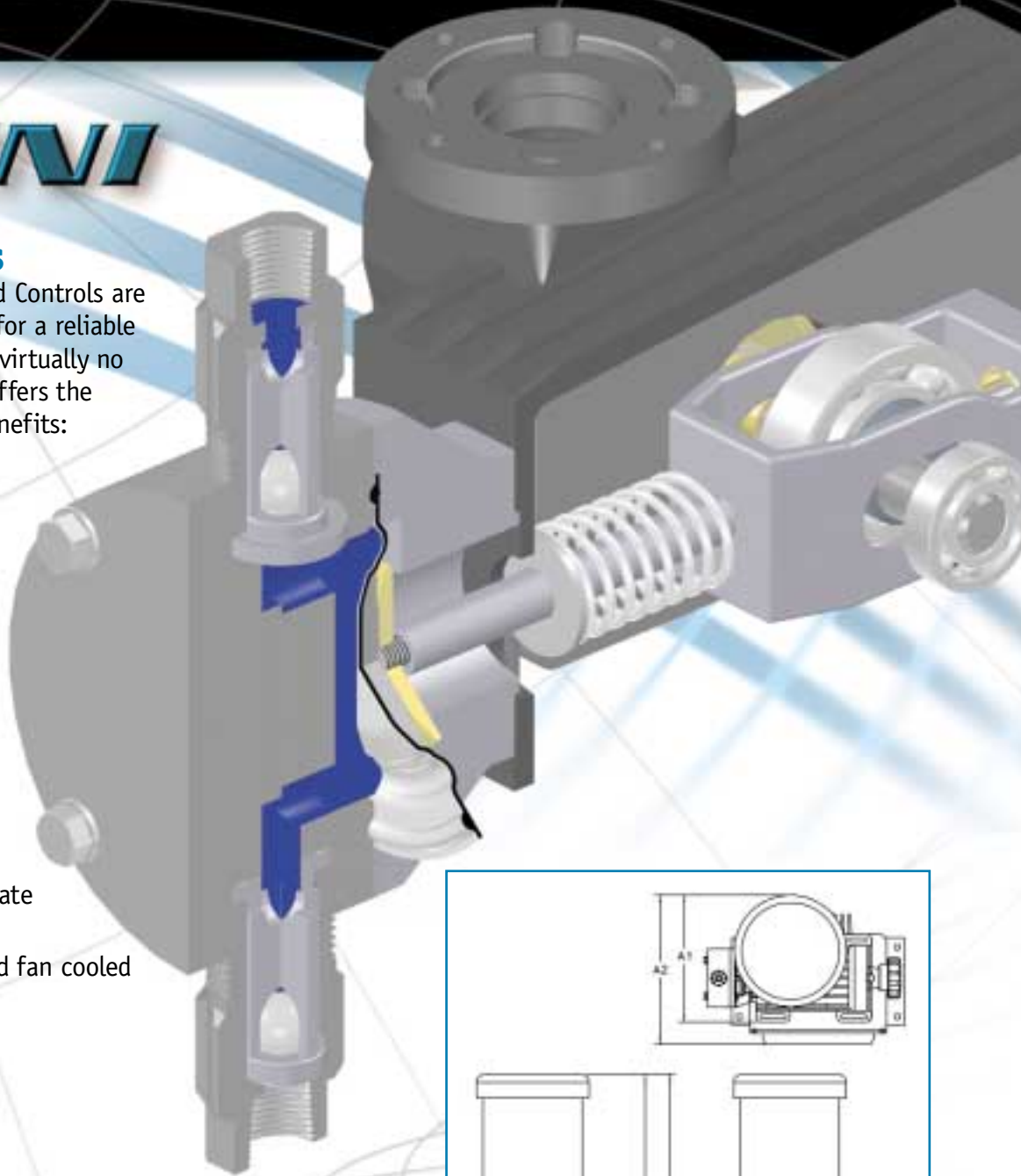
Water & Waste Water



Metering Pumps

OMNI Metering Pumps and Controls are the economical standard for a reliable chemical feed pump with virtually no maintenance. The OMNI offers the following user friendly benefits:

- **Oil Free**
Greased for life
no oil to buy or change
- **Compact and Lightweight**
Saves space and easy handling
- **Controller Ready**
Add an MPC when automatic pump control is required
- **Simple Design**
Easy to install and operate
- **Highly Efficient**
Quiet and cool, standard fan cooled motor design
- **Liquid End Materials**
PVC & 316 SS



Approximate Dimensions

Model	A1		A2 (MPC)		B1		B2 (MPC)		C1		C2 (MPC)		Weight*	
	(in.)	(mm)	(in.)	(mm)	(in.)	(mm)	(in.)	(mm)	(in.)	(mm)	(in.)	(mm)	(lbs.)	(kg)
DC2	6.9	175.3	8.5	215.9	14.6	370.8	21.1	535.9	13.1	332.7	13.3	337.8	13	5.8
DC3	6.9	175.3	8.5	215.9	14.6	370.8	21.1	535.9	13.9	353.1	14.2	360.7	17	7.7
DC4	7.6	193.0	9.1	231.1	14.9	378.5	21.4	543.6	15.0	381.0	15.0	381.0	22	9.9
DC5	7.6	193.0	9.1	231.1	14.9	378.5	21.4	543.6	15.3	388.6	15.3	388.6	25	11.3

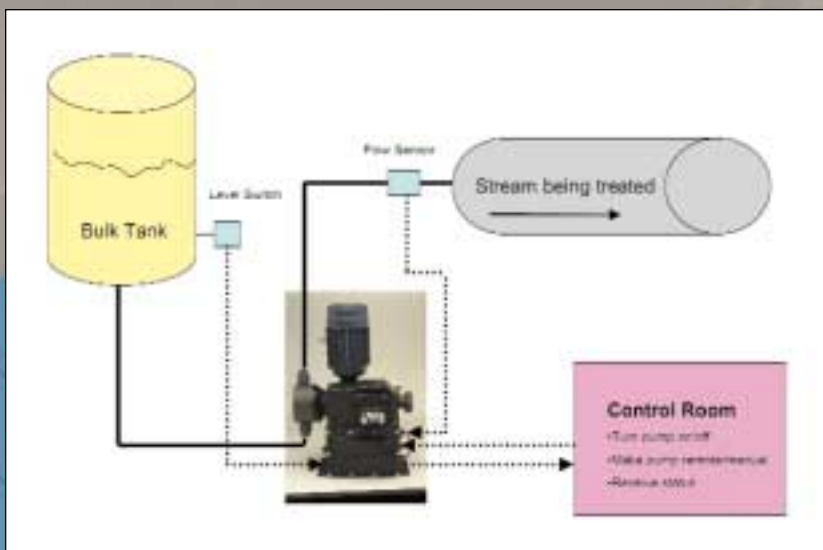
All weights shown without motors. Motor weights vary by manufacturer. *Weight shown is without MPC and motor. Add 18.3 lbs. / 8.3 kg for MPC.

Metering Pump Controller (MPC)

For high technology in a simple to understand package at an economical price, add an MPC to the OMNI pump to take advantage of complete system integration between metering pump and process.

The MPC features:

- Automatically control and display flow with a 4-20 mA input HANDHELD keypad, and manual stroke control
- Controls Pulsafeeder metering pumps up to 1000:1 turn down ratio
- The IP56 (NEMA 4X) Handheld user interface is attached to the pump with 1.8 meters (6 feet) of cable
- Optionally, the Handheld can be mounted up to 300 meters (1000 feet) away from the pump
- Handheld displays flow rate of the pump in LPH or GPH
- Use digital inputs and outputs to monitor and control:
 - Supply tank level
 - Pump flow verification
 - Remote status indication of pump (on/off)
 - Pump alarm status
 - Pump pulse output (stroke counter)
 - Pump auto/manual status



A World of Pumping Technology at Your Control

Pulsafeeder has custom solutions for all of your applications. We offer combined process control and mechanical expertise through our chemical injection and delivery systems and our hydraulic and mechanical pumping technologies.



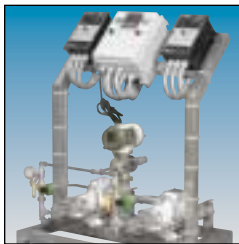
Power and Energy

Source-to-discharge, integrated systems to meet the demands of power plant process chemistry.



Pulp and Paper

River to Reel, chemical activation and metering systems for all pulp and paper process applications.



Water and Waste Water Treatment

Reservoir to supply line, to chemical treatment plant; preserving our most critical natural resource, clean water.

Visit us on the web at www.pulsa.com or contact any Pulsafeeder Global Sales Office:



Pulsafeeder, Inc.
Engineered Pump Operations
2883 Brighton-Henrietta Townline Road
Rochester, New York 14623 U.S.A.
585-292-8000 Telefax 585-424-5619

Pulsafeeder, Inc.
Standard Products Operations
27101 Airport Road
Punta Gorda, Florida 33982 U.S.A.
941-575-3800 Telefax: 941-575-4085

Pulsafeeder Europe B.V.
Marssteden 68
7547 TD Enschede
The Netherlands
31 53 428 2230 Telefax: 31 53 428 1136

IDEX Asia Pacific Group
63 Hillview Avenue
#07-08 Lam Soon Industrial Building
Singapore 699569
65 6763 6633 Telefax: 65 6764 4020

IDEX Latin America Pump Group
Hegel 153-602, Colonia Polanco
Mexico D.F. 11560
52 55 5255 1357 Telefax: 52 55 5255 1356



PULSAtron®
Electronic Diaphragm Metering Pumps



Pulsar®
Hydraulic Diaphragm Metering Pumps



Shadow®
Mechanical Diaphragm Metering Pumps



Pulsar HypoPump®
Hydraulic Diaphragm Metering Pump for Vapor Handling

Pulsar®, Pulsar HypoPump®, Pulsar Shadow®, Omni® and PULSAtron® are registered trademarks of Pulsafeeder, Incorporated.

OMB-04