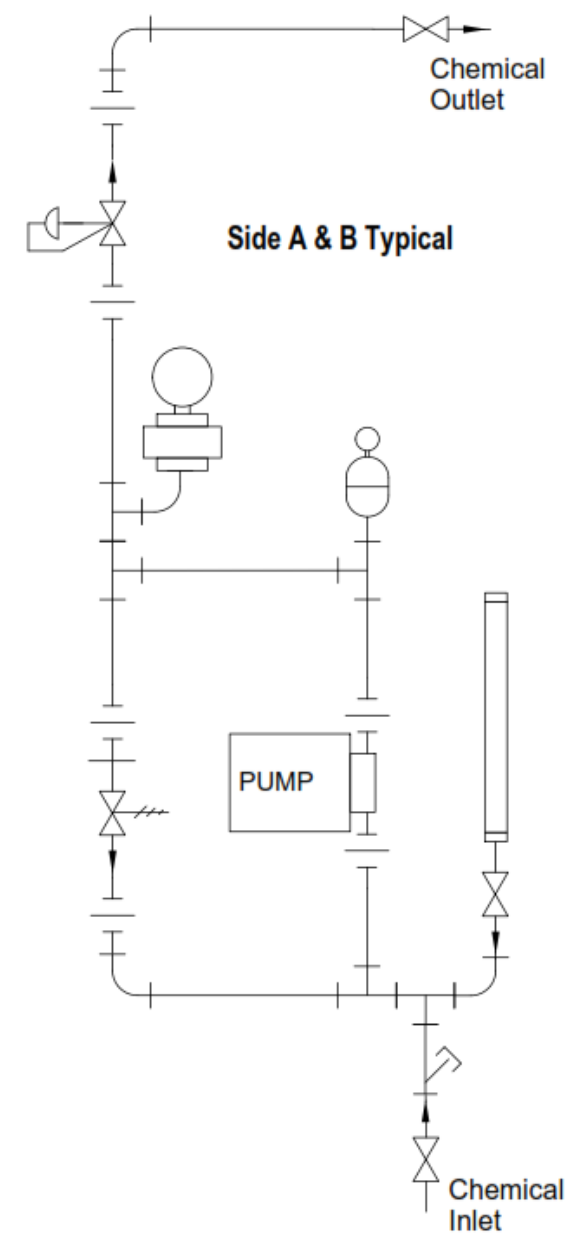
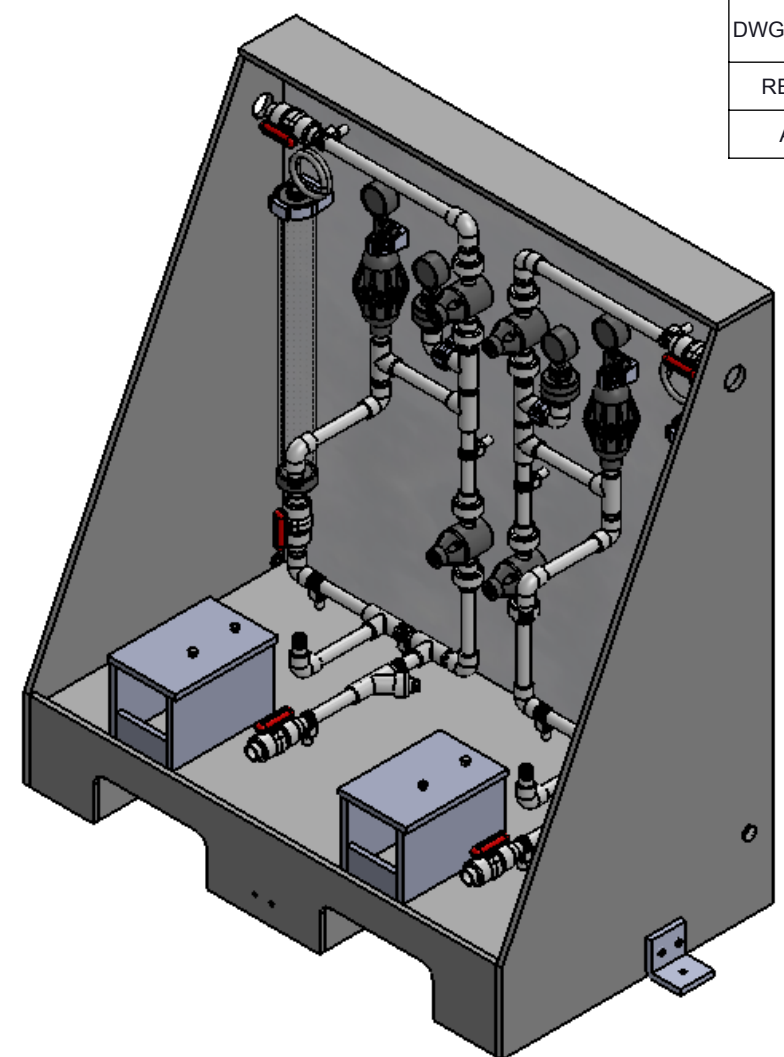
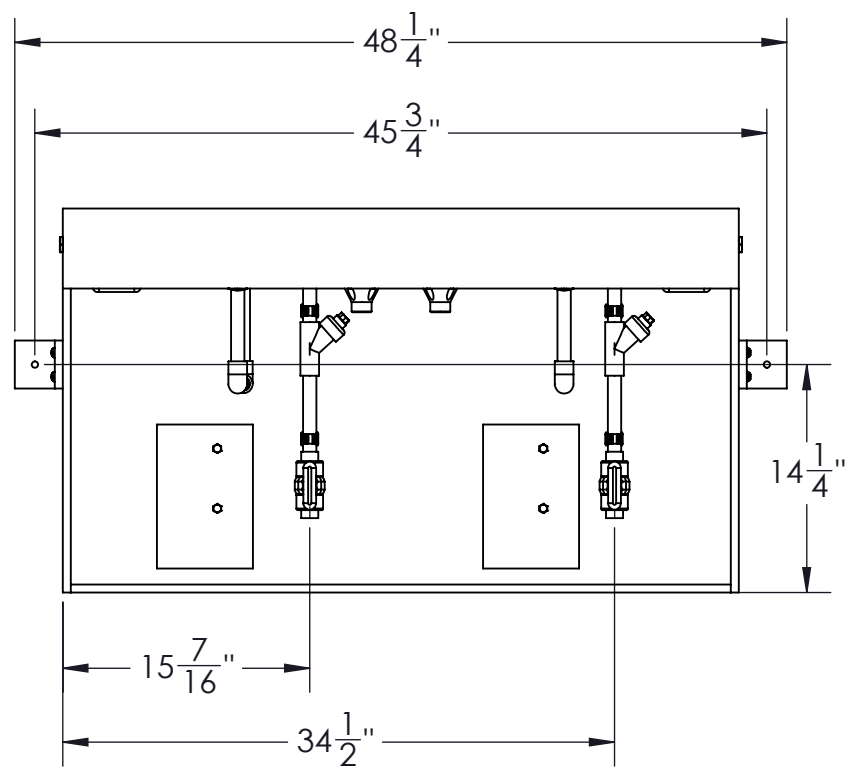
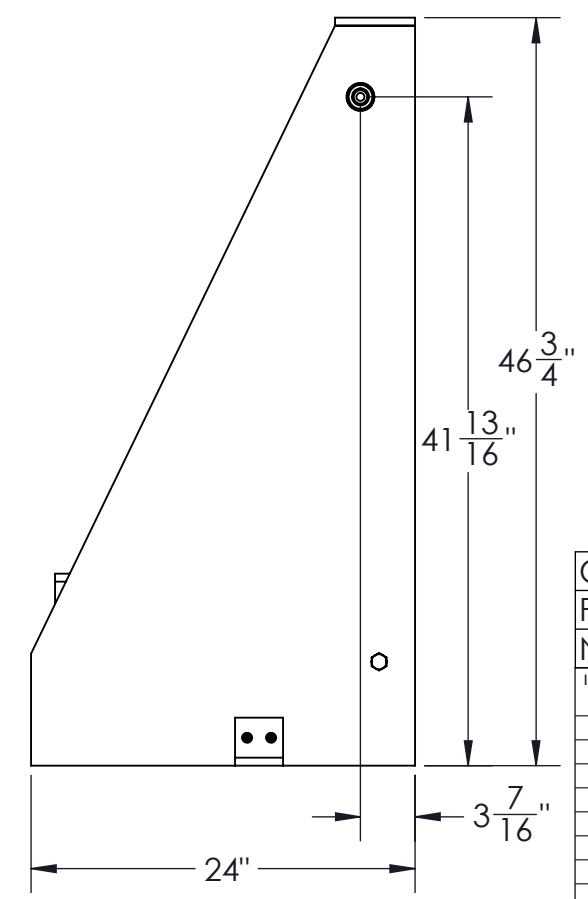
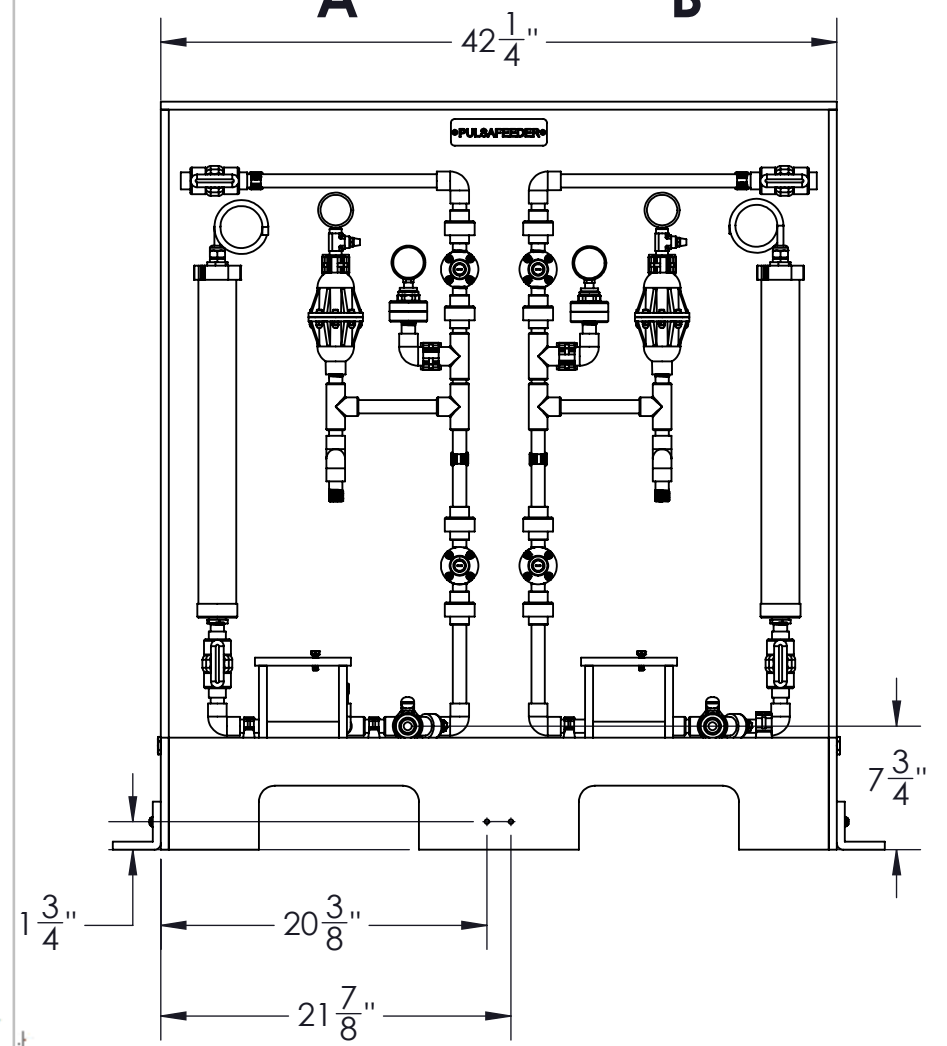


DWG NO.	PES2S-BLA			SHEET	1	OF	1
REV.	DESCRIPTION	DATE	MOD	CHK'D			
A	RELEASE	6/17/2016	FP	CAW			



	Y-STRAINER
	TRUE UNION BALL VALVE
	UNION
	TRUE UNION 3 WAY BALL VALVE
	BACK PRESSURE VALVE
	PRESSURE RELIEF VALVE
	PRESSURE GAUGE W/ ISOLATOR
	PULSATION DAMPENER
	CALIBRATION COLUMN

A **B**



Customer Name: _____
 PO Number: _____
 Notes: _____

INTERPRET GEOMETRIC TOLERANCING PER ASME Y14.5M-1994 UNLESS OTHERWISE SPECIFIED		DWN	FP	6/17/16	
TOLERANCE	MACHINED SURFACES ROUGHNESS	CHK	CAW	6/21/16	
X.X"	± .050"				TITLE BL DPLX SKID ASSEM - LOW FLOW P&ID
X.XX"	± .015"				
X.XXX"	± .005"				
ANGLES	± 0°30'				
BREAK ALL SHARP EDGES .015" MAX. ALL DIMENSIONS IN INCHES					REV A SIZE B DWG NO PES2S-BLA PID
PROPRIETARY DATA: THIS DOCUMENT DISCLOSES INFORMATION AND DATA IN WHICH PULSAFEEDER HAS PROPRIETARY RIGHTS. THE RIGHT TO REPRODUCE, USE OR DISCLOSE IN WHOLE OR IN PART EXCEPT BY WRITTEN PERMISSION IS PROHIBITED.					FILE PES2S-BLA PID SCALE: 1:12 SHEET 1 OF 1