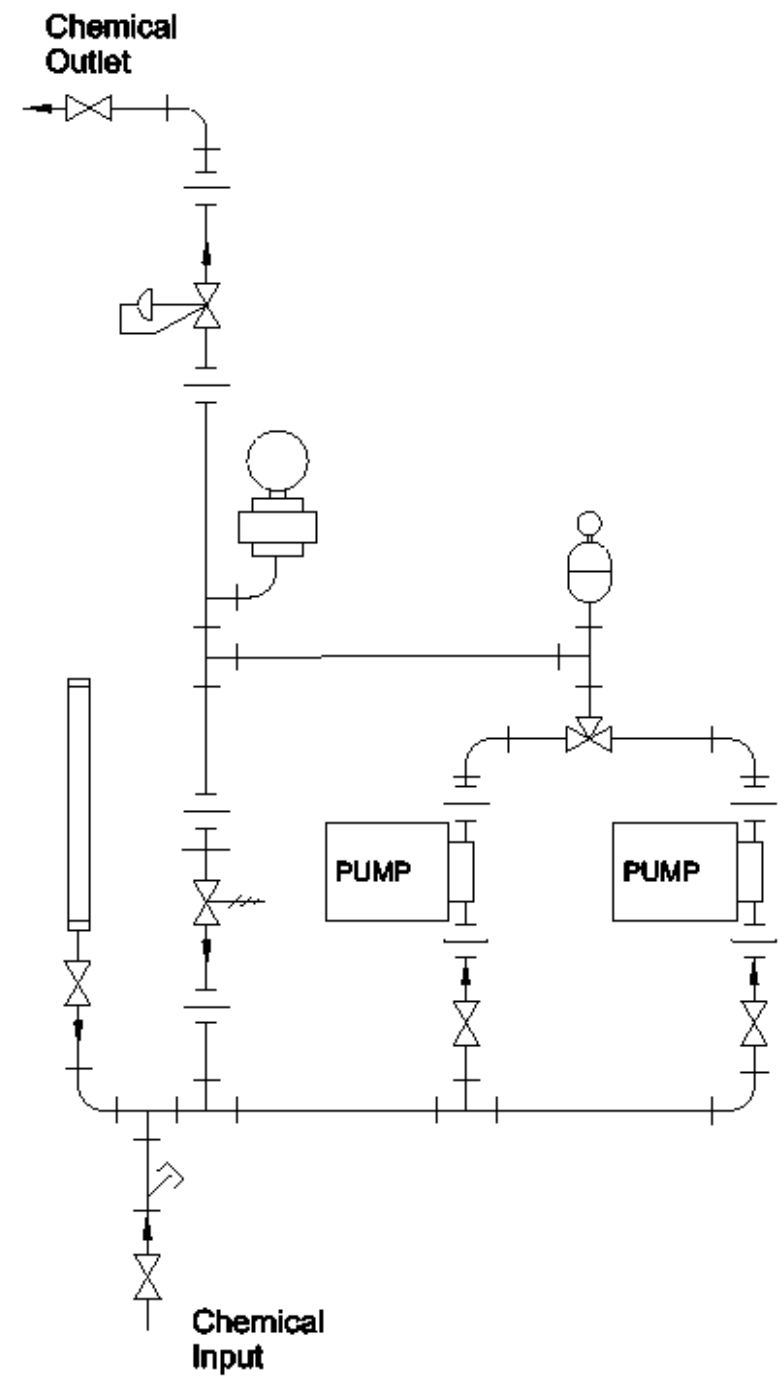


DWG NO.	PES2L-BLHF PID			SHEET	1	OF	1
REV.	DESCRIPTION	DATE	MOD	CHK'D			
A	RELEASE	6/21/2016	FP	CAW			



	Y-STRAINER
	TRUE UNION BALL VALVE
	UNION
	TRUE UNION 3 WAY BALL VALVE
	BACK PRESSURE VALVE
	PRESSURE RELIEF VALVE
	PRESSURE GAUGE W/ ISOLATOR
	PULSATION DAMPENER
	CALIBRATION COLUMN

Customer Name:				
PO Number:				
Notes:				
INTERPRET GEOMETRIC TOLERANCING PER ASME Y14.5M-1994 UNLESS OTHERWISE SPECIFIED		DWN	FP	
TOLERANCE		06/21/2016		
X.X"	± .050"	CHK		CAW
X.XX"	± .015"			
X.XXX"	± .005"			
ANGLES	± 0°30'			
BREAK ALL SHARP EDGES .015" MAX. ALL DIMENSIONS IN INCHES				
MACHINED SURFACES ROUGHNESS 125Ra				
PROPRIETARY DATA: THIS DOCUMENT DISCLOSES INFORMATION AND DATA IN WHICH PULSAFEEDER HAS PROPRIETARY RIGHTS. THE RIGHT TO REPRODUCE, USE OR DISCLOSE IN WHOLE OR IN PART EXCEPT BY WRITTEN PERMISSION IS PROHIBITED.		TITLE BL DPLX LEAD STANDBY ASSEM - HIGH FLOW P&ID REV A SIZE B DWG NO PES2L-BLHF PID FILE PES2L-BLHF PID SCALE: 1:15 SHEET 1 OF 1		