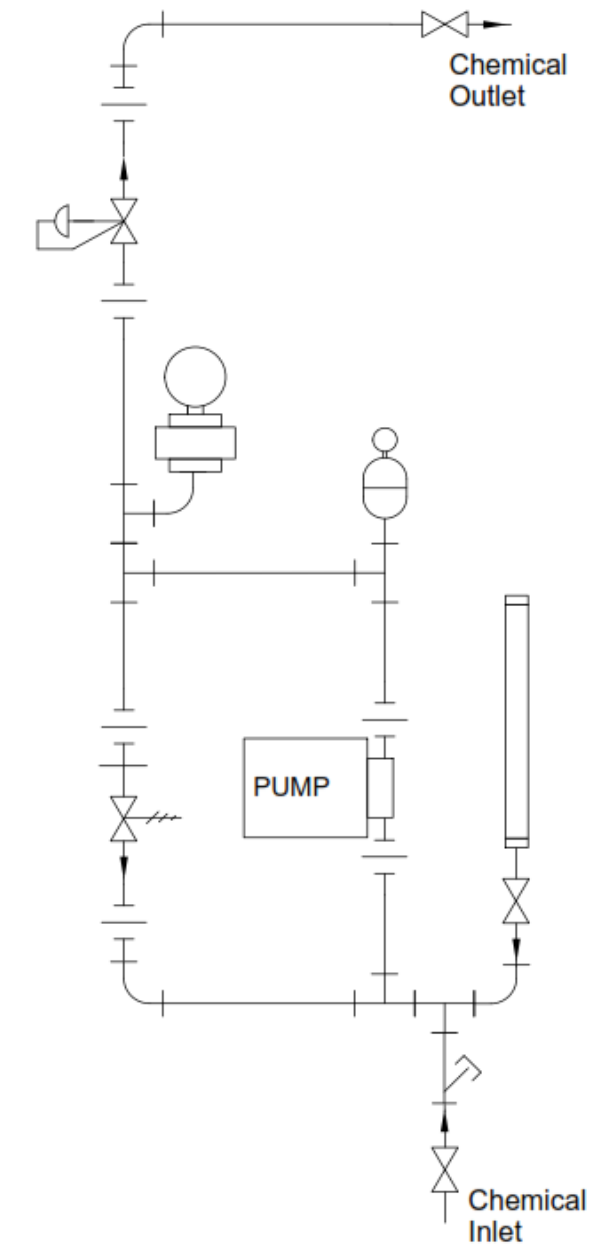
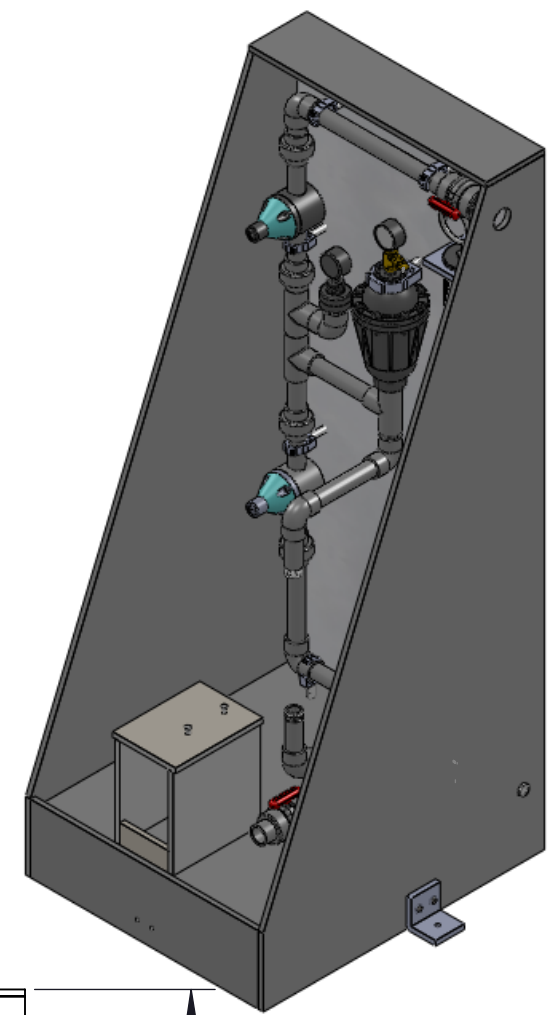
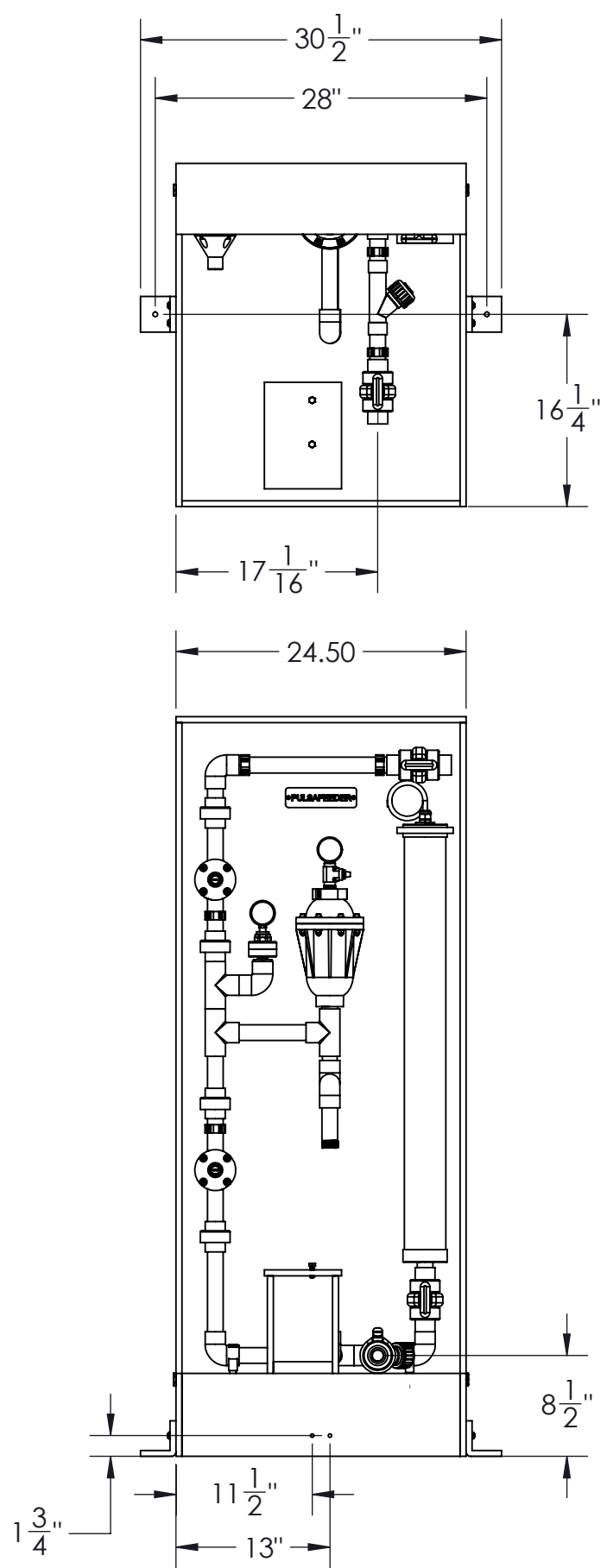


DWG NO.	PES1S-BLHF			SHEET	1	OF	1
REV.	DESCRIPTION	DATE	MOD	CHK'D			
A	RELEASE	6/21/16	FP	CAW			



	Y-STRAINER
	TRUE UNION BALL VALVE
	UNION
	TRUE UNION 3 WAY BALL VALVE
	BACK PRESSURE VALVE
	PRESSURE RELIEF VALVE
	PRESSURE GAUGE W/ ISOLATOR
	PULSATION DAMPENER
	CALIBRATION COLUMN

Customer Name: \_\_\_\_\_  
 PO Number: \_\_\_\_\_  
 Notes: \_\_\_\_\_

INTERPRET GEOMETRIC TOLERANCING PER ASME Y14.5M-1994 UNLESS OTHERWISE SPECIFIED		DWN	FP	6/21/16
TOLERANCE	MACHINED SURFACES ROUGHNESS	CHK	CAW	6/21/16
X.X"	± .050"			
X.XX"	± .015"			
X.XXX"	± .005"			
ANGLES	± 0°30'			
BREAK ALL SHARP EDGES .015" MAX. ALL DIMENSIONS IN INCHES				

PROPRIETARY DATA: THIS DOCUMENT DISCLOSES INFORMATION AND DATA IN WHICH PULSAFEEDER HAS PROPRIETARY RIGHTS. THE RIGHT TO REPRODUCE, USE OR DISCLOSE IN WHOLE OR IN PART EXCEPT BY WRITTEN PERMISSION IS PROHIBITED.

**PULSAFEEDER** IDEX CORPORATION

TITLE **BL SMLPX SKID ASSEM - HF P&ID**

REV **A** SIZE **B** DWG NO **PES1S-BLHF PID**

FILE **PES1S-BLHF PID** SCALE: 1:14 SHEET **1** OF **1**