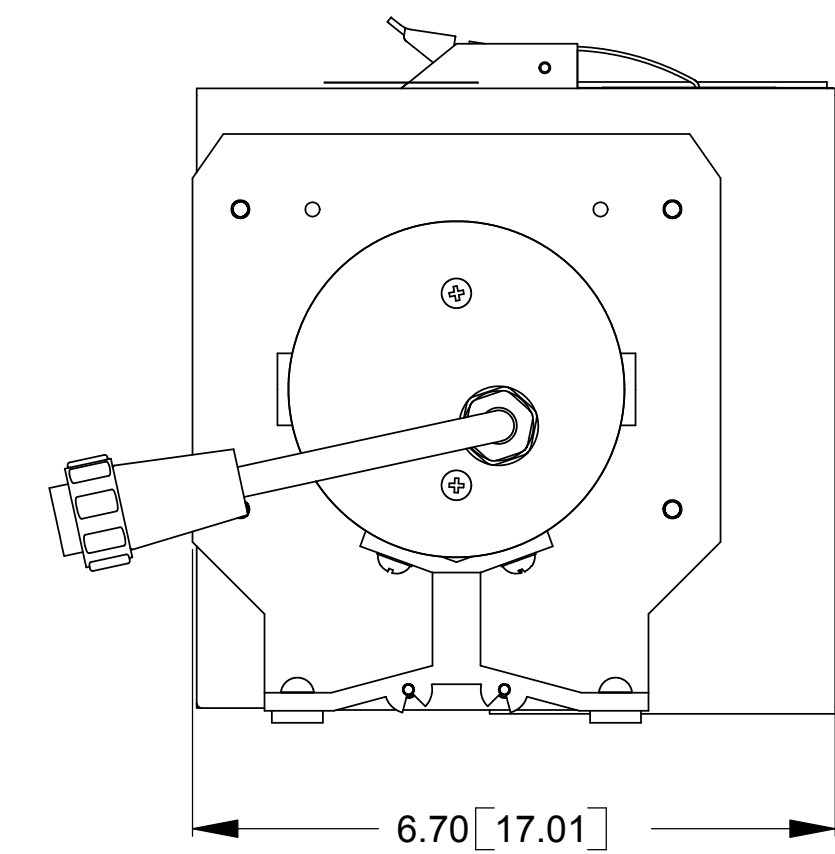
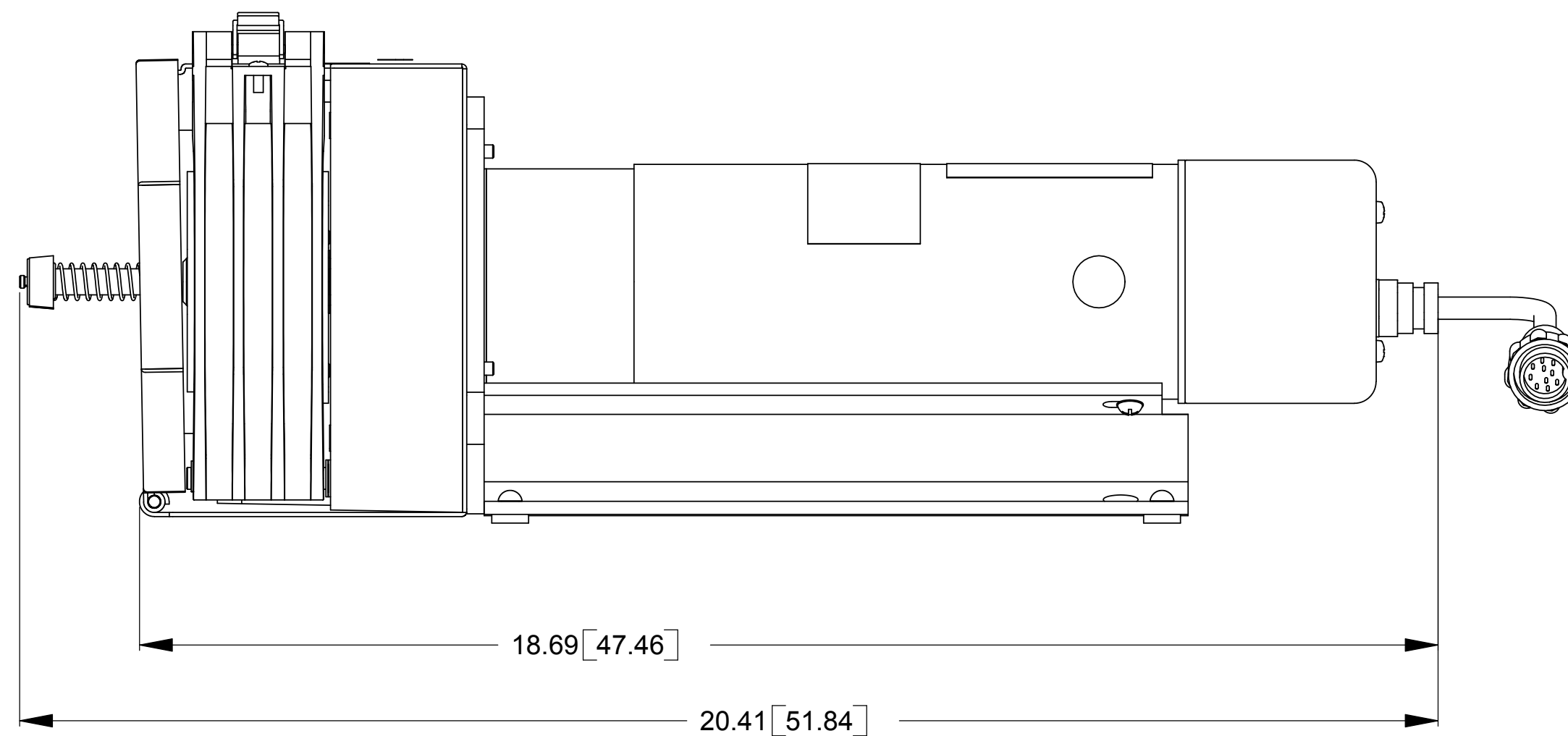
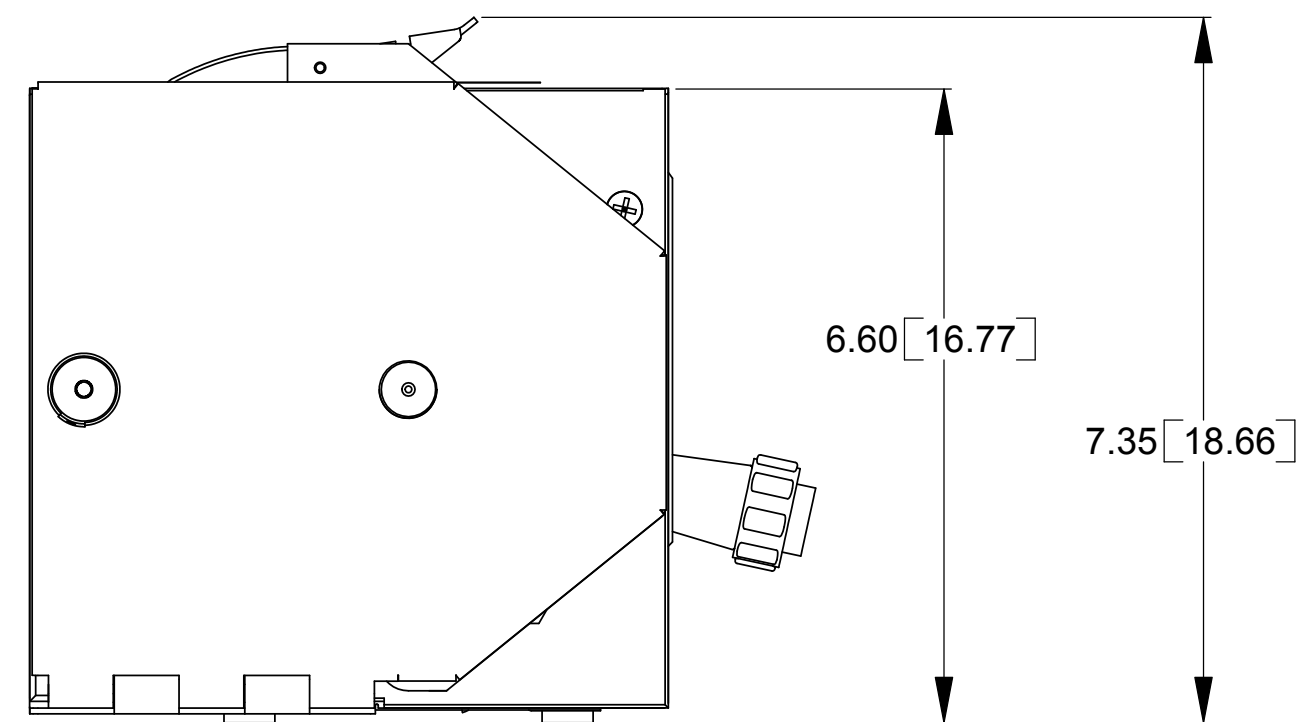
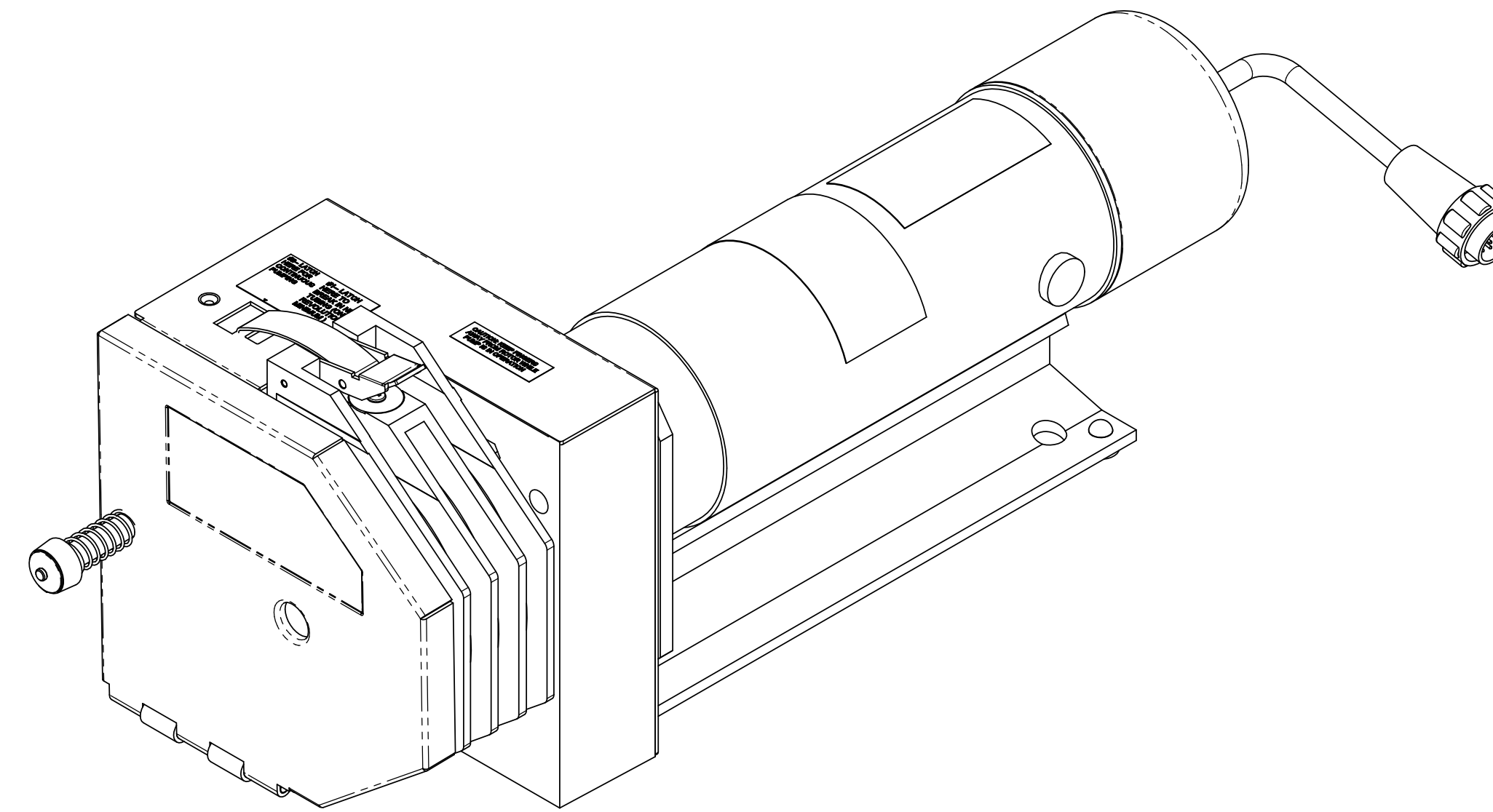


MODEL NUMBER:

960-2010
 960-2015
 960-1010
 960-1015



NOTES:

1. ALL DIMENSIONS IN INCHES [CM]
2. ALL DIMENSIONS APPROXIMATE

REV	DESCRIPTION	ECN/PRM	DATE	REV	DESCRIPTION	ECN/PRM	DATE	PART No.	PROCESS/FINISH/ MODEL No.	DO NOT SCALE DRAWING	D SHEET 1 of 1	DRAWING NUMBER: 108314
A	RELEASE FOR PRODUCTION	ECN 14595	04/11/06									

THE INFORMATION CONTAINED IN THIS DRAWING IS THE SOLE PROPERTY OF THE BARNANT COMPANY. ANY REPRODUCTION IN PART OR WHOLE WITHOUT THE WRITTEN PERMISSION OF THE BARNANT COMPANY IS PROHIBITED.

DATE DRAWN: 6-10-05
 DRAWN BY: W.S.
 CHECKED BY: JJS
 APPROVED BY: GJ
 SCALE: 1:2
 PART NAME: OUTLINE, DWG 960-10XX & 20XX

UNLESS OTHERWISE SPECIFIED:
 DIMENSIONS ARE IN INCHES
 TOLERANCES ARE:
 .XX ±.01
 .XXX ±.005
 ANGLES 1/16"
 MACHINED PARTS TO BE 12GRINDS

Barnant
 Barnant Company, 28W092 Commercial Avenue
 Barrington, Illinois 60010-2392 (847)-381-7050

CERTIFICATION OF CONFORMITY/ COMPLIANCE REQUIRED: MATERIAL FINISH SOURCE CONTROLLED