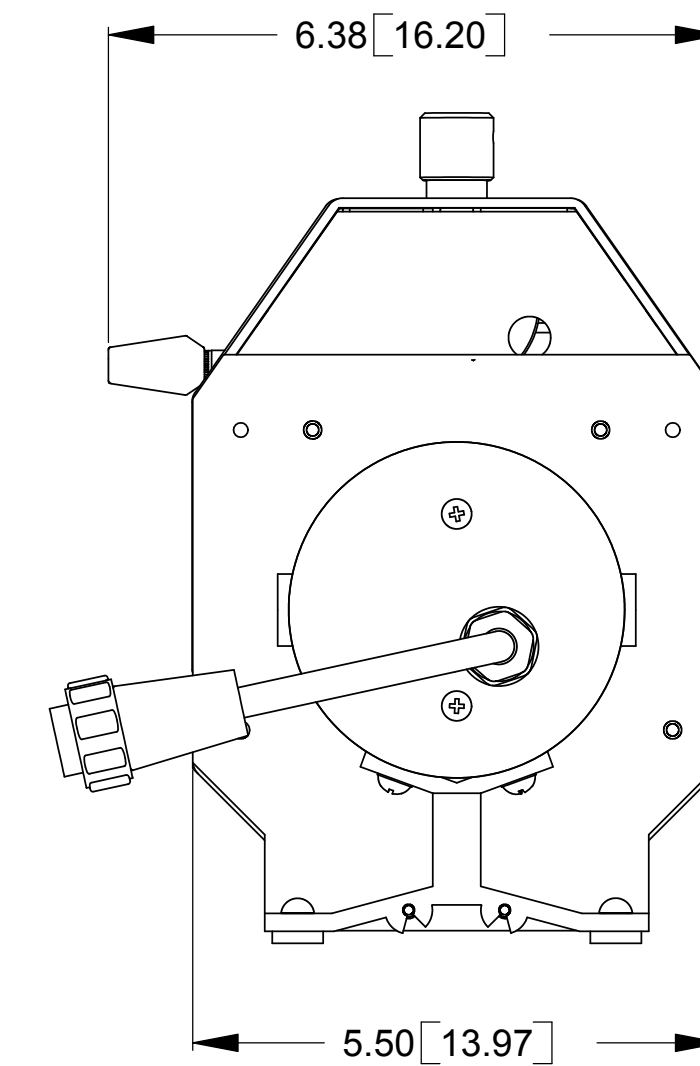
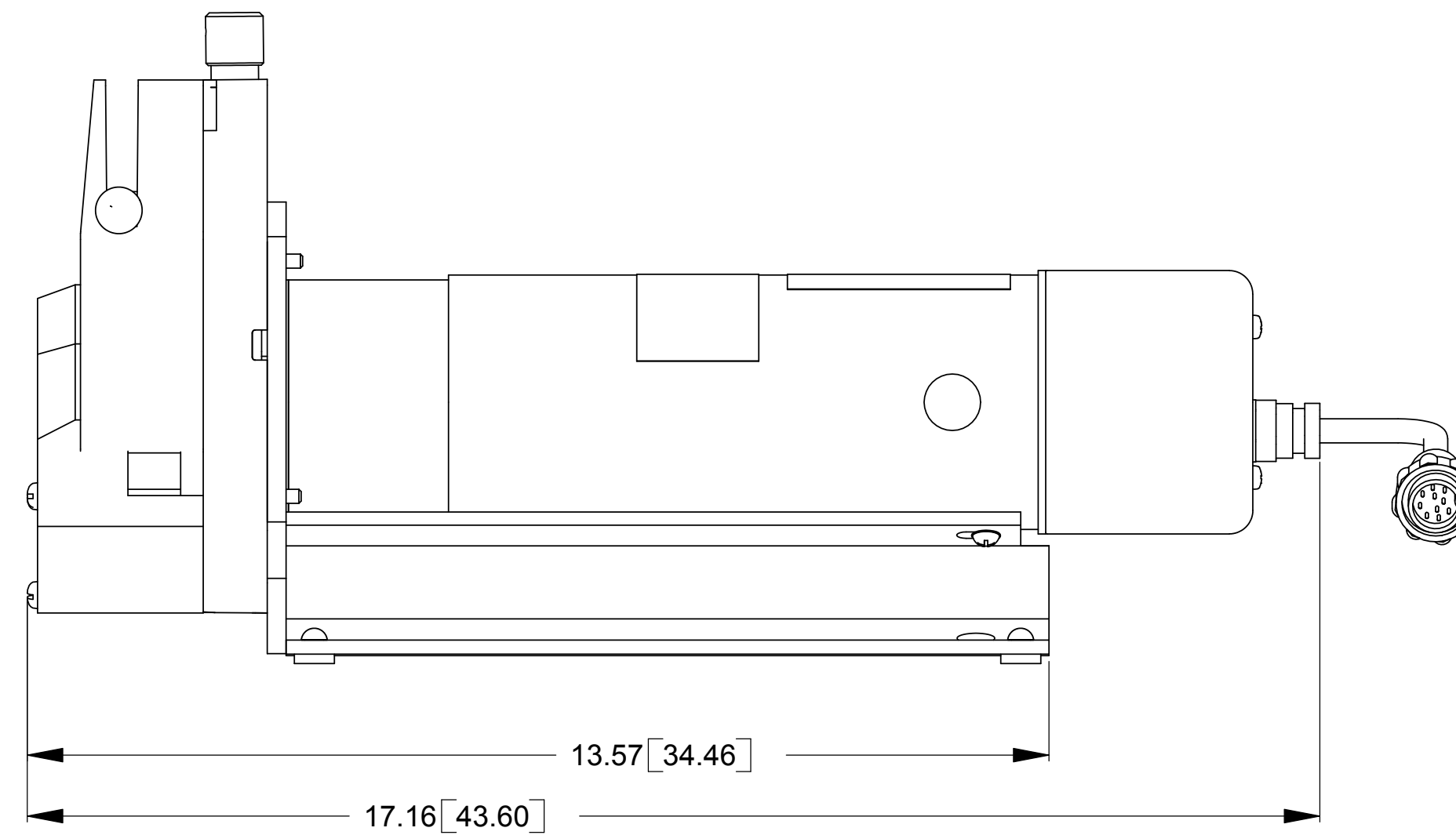
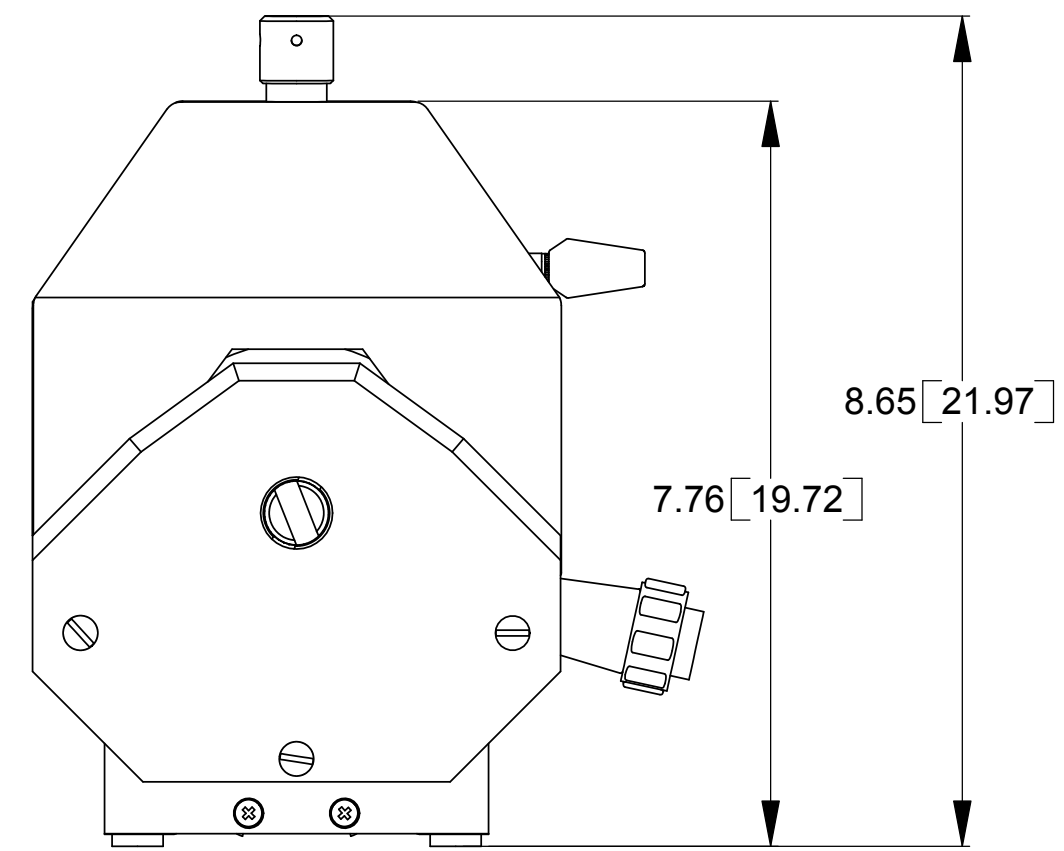
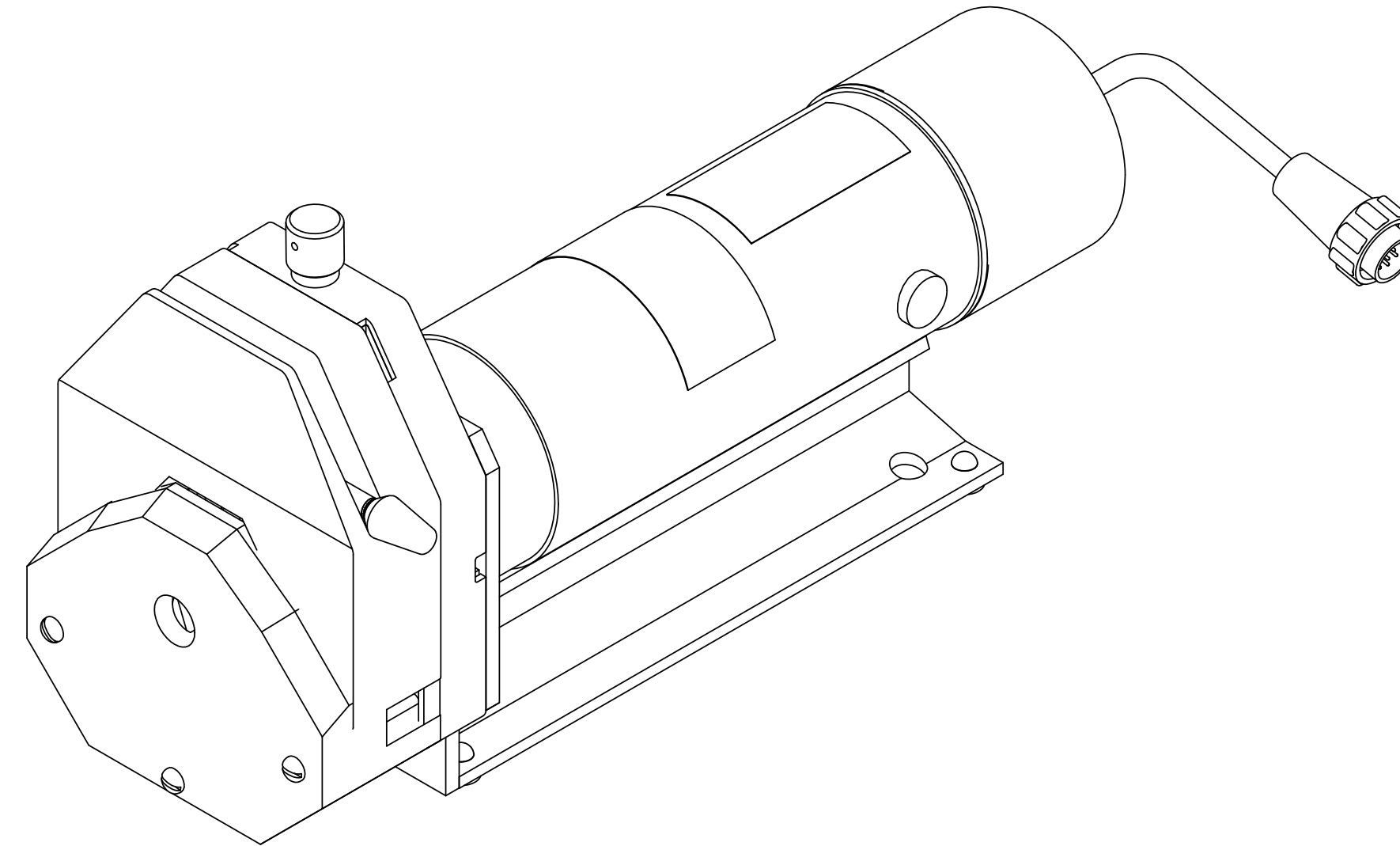


MODEL NUMBER:

- 950-2010
- 950-2015
- 950-1010
- 950-1015



NOTES:

1. ALL DIMENSIONS IN INCHES [CM]
2. ALL DIMENSIONS APPROXIMATE

REV	DESCRIPTION	ECN/PRM	DATE	REV	DESCRIPTION	ECN/PRM	DATE	PART No.	PROCESS/FINISH/ MODEL No.	DO NOT SCALE DRAWING	D	SHEET	of	DRAWING NUMBER:
A	RELEASE FOR PRODUCTION	14595	04/11/06									1	of 1	108315

THE INFORMATION CONTAINED IN THIS DRAWING IS THE SOLE PROPERTY OF THE BARNANT COMPANY. ANY REPRODUCTION IN PART OR WHOLE WITHOUT THE WRITTEN PERMISSION OF THE BARNANT COMPANY IS PROHIBITED.

DATE DRAWN: 6-10-05

DRAWN BY: W.S.

CHECKED BY: JJS

APPROVED BY: GJ

SCALE: 1:2

DO NOT SCALE DRAWING

UNLESS OTHERWISE SPECIFIED:
DIMENSIONS ARE IN INCHES
TOLERANCES ARE:
XXX ±.005
ANGLES ±.1°
MACHINED PARTS TO BE 12GRMS

MATERIAL:
N/A

CERTIFICATION OF CONFORMITY/
COMPLIANCE REQUIRED

PART NAME: OUTLINE, DWG 950-10XX & 950-20XX

Barnant
Barnant Company, 28W092 Commercial Avenue
Barrington, Illinois 60010-2392 (847)-381-7050

MATERIAL FINISH SOURCE CONTROLLED

DRAWING NUMBER: 108315