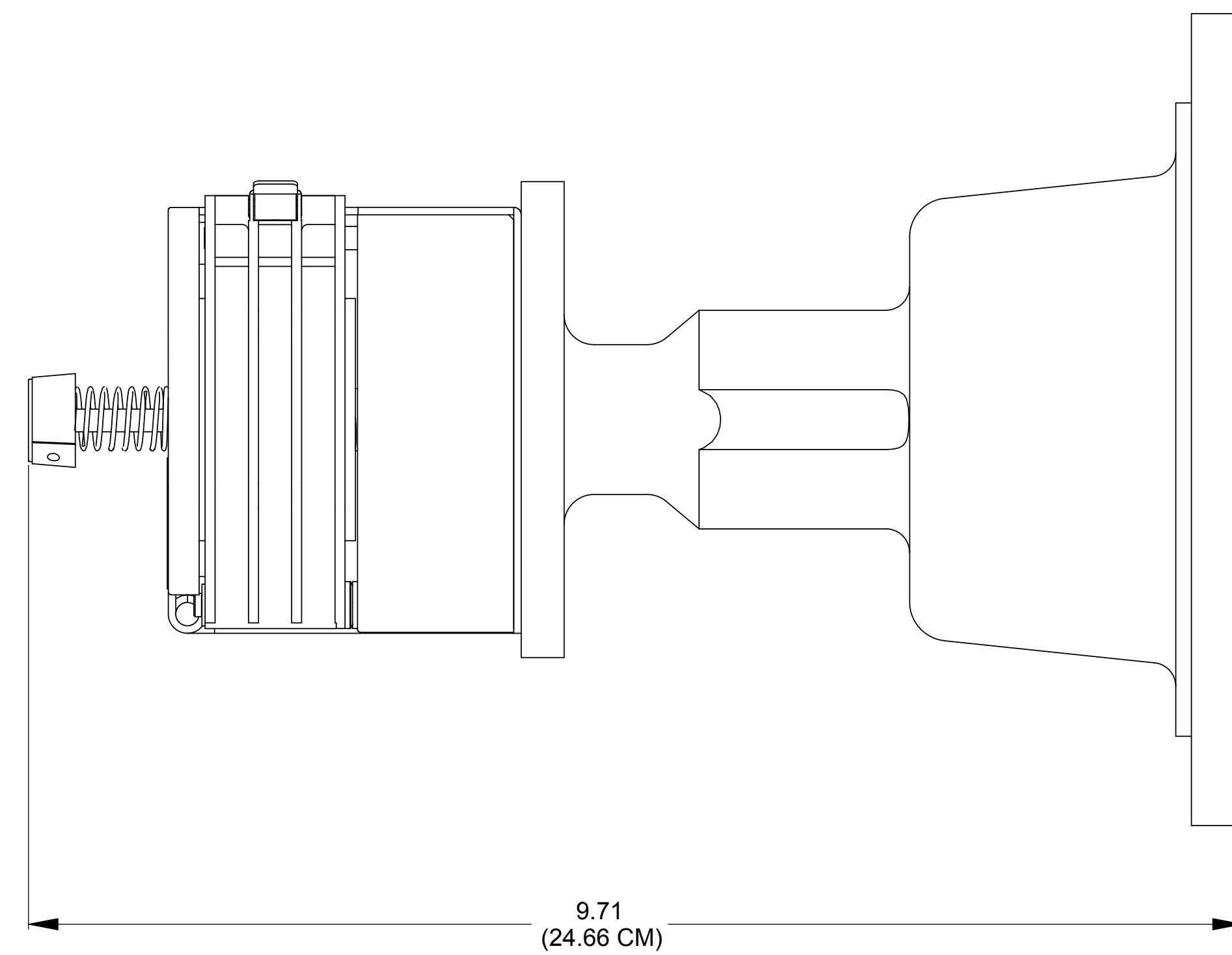
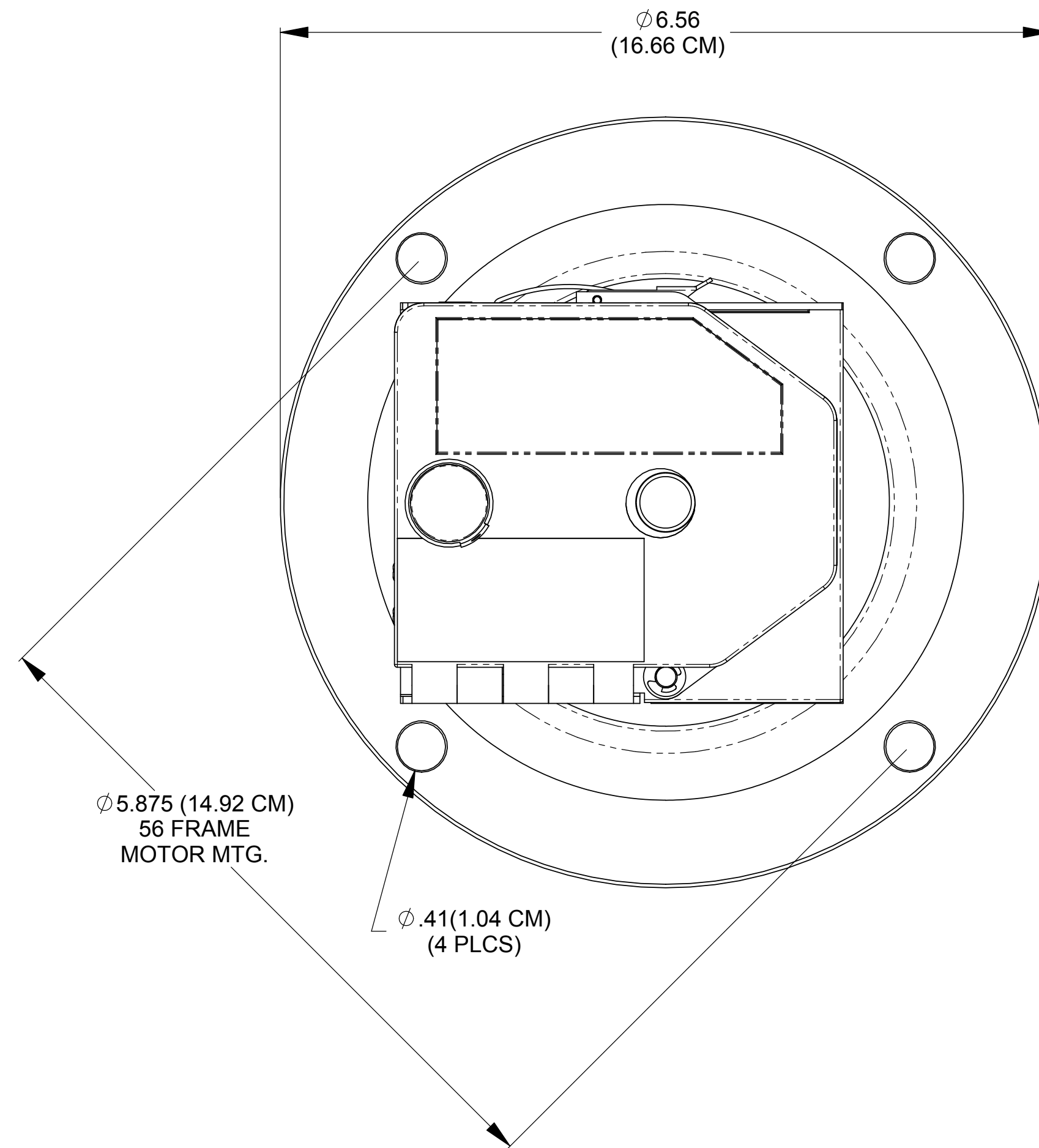
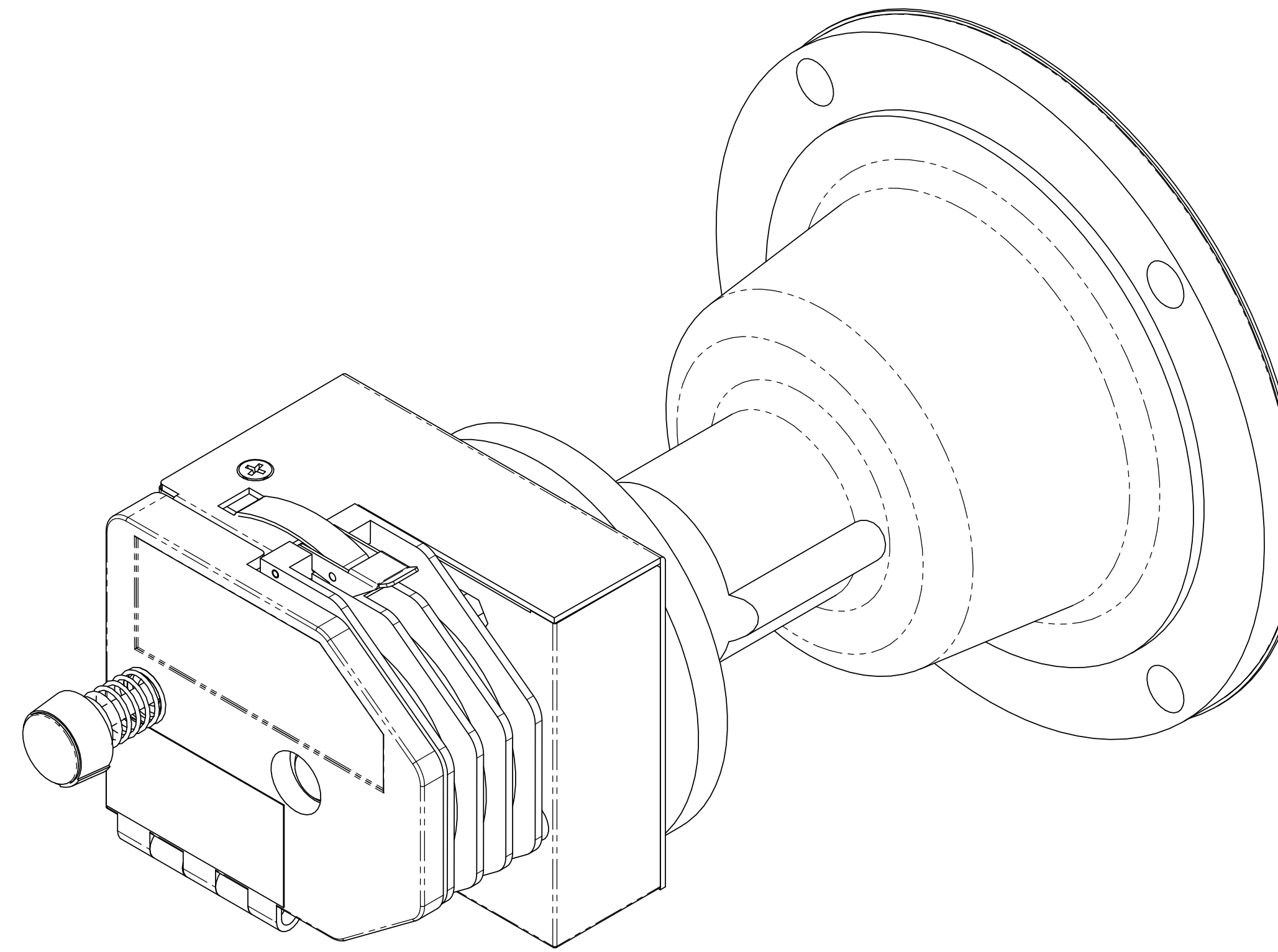


V.A.R. MODEL NUMBERS

965-3999
965-6999



2. ALL DIMENSIONS ARE IN INCHES (CM)
1. ALL DIMENSIONS ARE APPROXIMATE

NOTE:

								THE INFORMATION CONTAINED IN THIS DRAWING IS THE SOLE PROPERTY OF THE BARNANT COMPANY. ANY REPRODUCTION IN PART OR WHOLE WITHOUT THE WRITTEN PERMISSION OF THE BARNANT COMPANY IS PROHIBITED.				
								DATE DRAWN: 08/29/05 DRAWN BY: JDM CHECKED BY: JJS APPROVED BY: GJ				
								UNLESS OTHERWISE SPECIFIED: DIMENSIONS ARE IN INCHES TOLERANCES ARE: .XX ±.01 .XXX ±.005 ANGLES 1/16" MACHINED PARTS TO BE 1/16"				
								MATERIAL: NA CERTIFICATION OF CONFORMITY/ COMPLIANCE REQUIRED: <input type="checkbox"/> MATERIAL <input type="checkbox"/> FINISH <input type="checkbox"/> SOURCE CONTROLLED				
A RELEASE FOR PRODUCTION ECN 14595 DATE 04/10/06								SCALE: 1:1 PART NAME: OUTLINE, DWG ADPTR W LS HI PERF				
REV	DESCRIPTION	ECN/PRM	DATE	REV	DESCRIPTION	ECN/PRM	DATE	PART No.	PROCESS/FINISH/ MODEL No.	DO NOT SCALE DRAWING	D SHEET 1 of 1	DRAWING NUMBER: 108324

Barnant
Barnant Company, 28W092 Commercial Avenue
Barrington, Illinois 60010-2392 (847)-381-7050