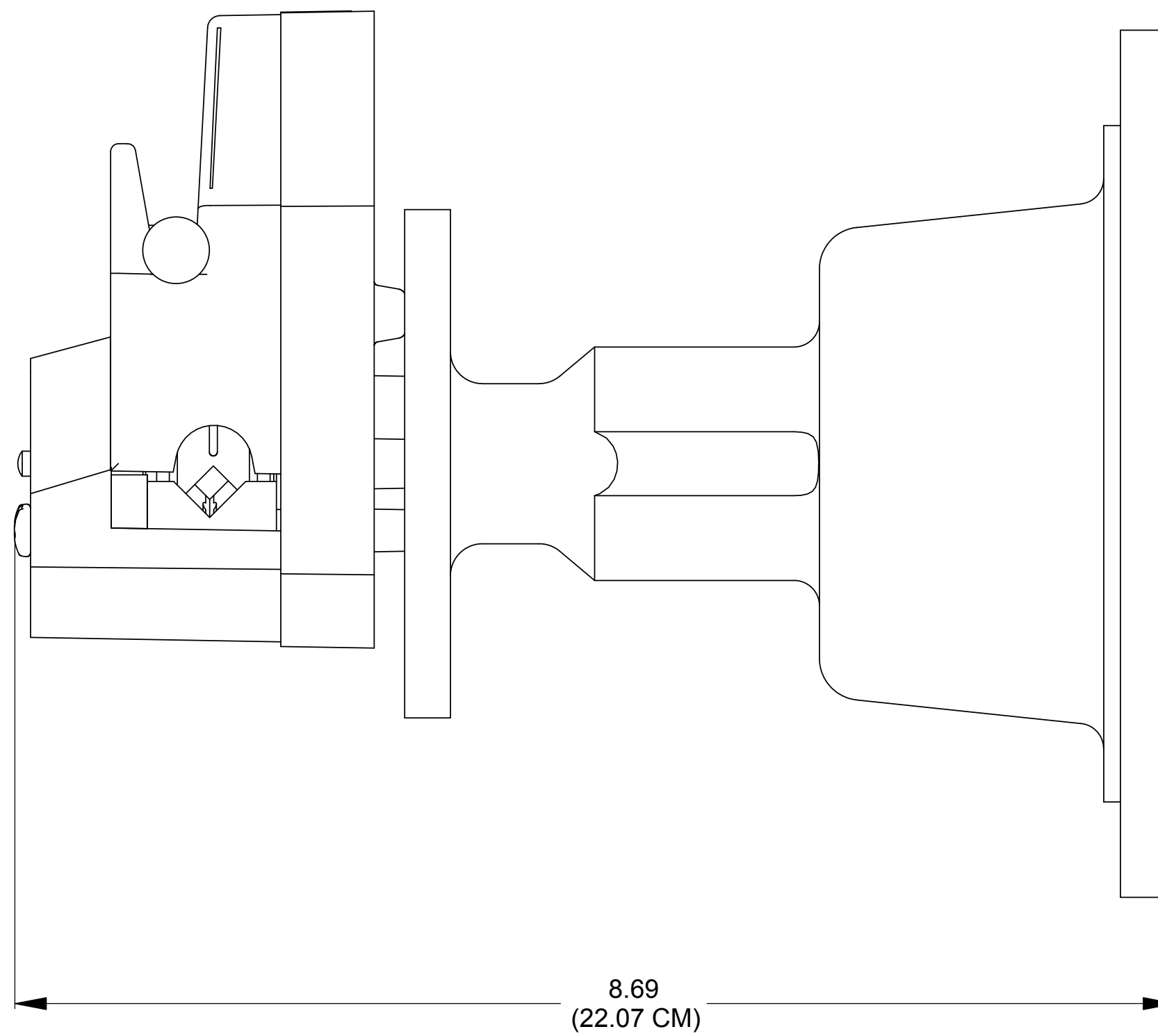
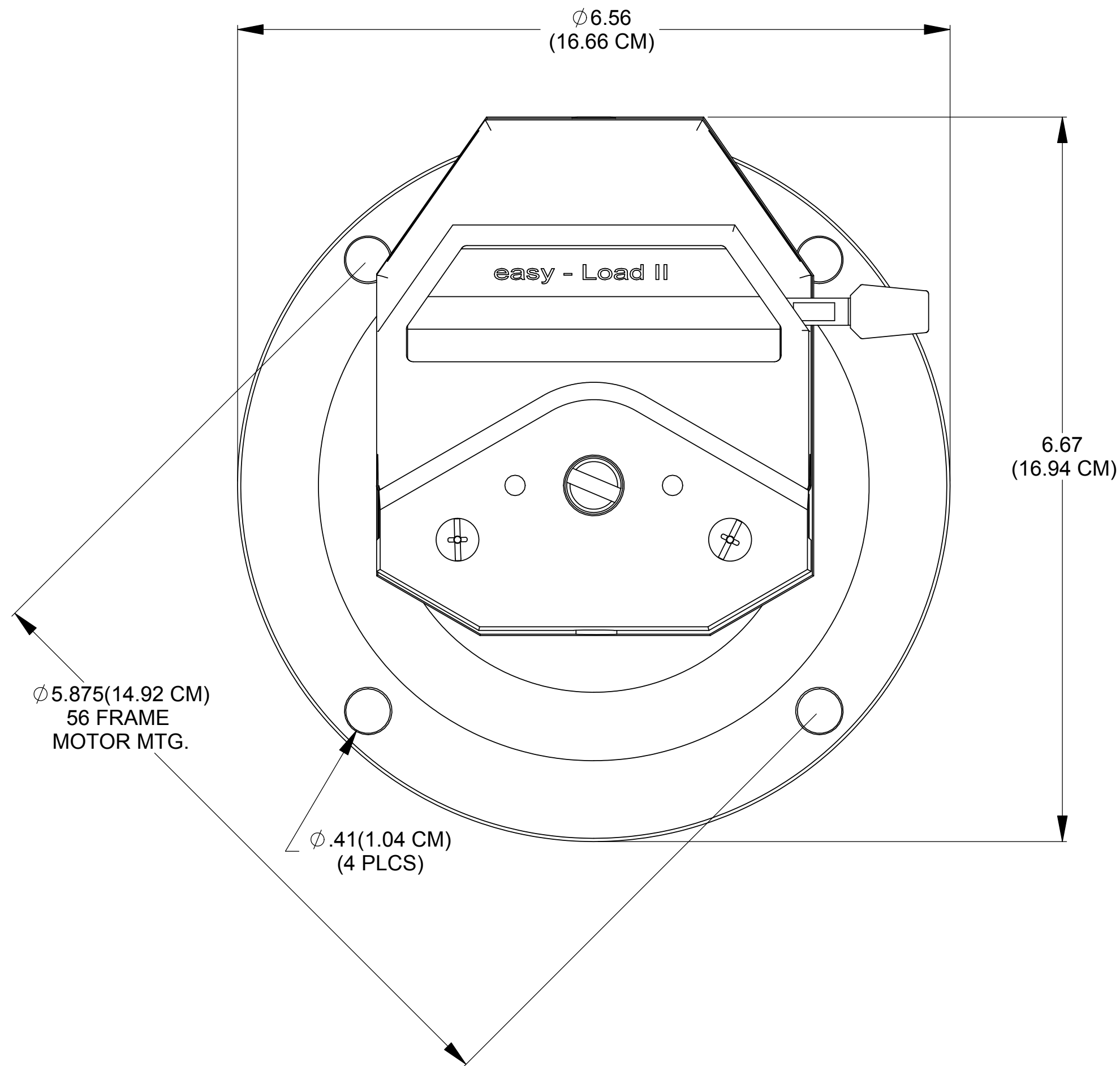
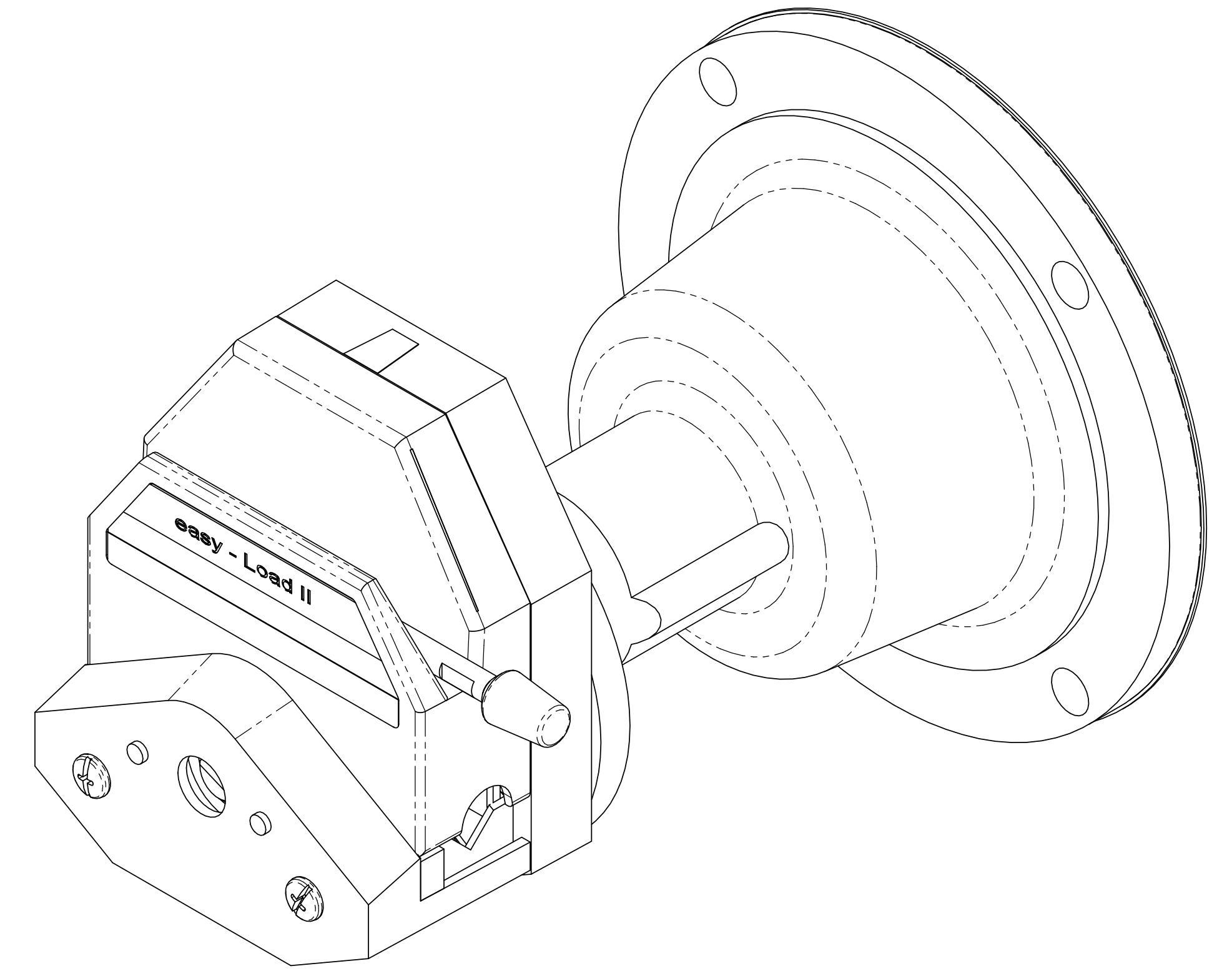


V.A.R. MODEL NUMBERS

955-3999
 956-3999
 955-4999
 956-4999



2. ALL DIMENSIONS ARE IN INCHES (CM)
 1. ALL DIMENSIONS ARE APPROXIMATE
 NOTE:

REV	DESCRIPTION	ECN/PRM	DATE	REV	DESCRIPTION	ECN/PRM	DATE	PART No.	PROCESS/FINISH/ MODEL No.	DO NOT SCALE DRAWING	D SHEET 1 of 1	DRAWING NUMBER: 108323
A	RELEASED FOR PRODUCTION	ECN 14595	04/10/06									

THE INFORMATION CONTAINED IN THIS DRAWING IS THE SOLE PROPERTY OF THE BARNANT COMPANY. ANY REPRODUCTION IN PART OR WHOLE WITHOUT THE WRITTEN PERMISSION OF THE BARNANT COMPANY IS PROHIBITED.

DATE DRAWN: 08/25/05
 DRAWN BY: JDM
 CHECKED BY: JJS
 APPROVED BY: GJ

UNLESS OTHERWISE SPECIFIED:
 DIMENSIONS ARE IN INCHES
 TOLERANCES ARE:
 .XX .XX
 .XXX .005
 ANGLES .125
 MACHINED PARTS TO BE 12GRMS

Barnant
 Barnant Company, 28W092 Commercial Avenue
 Barrington, Illinois 60010-2392 (847)-381-7050

MATERIAL: MATERIAL FINISH SOURCE CONTROLLED
 CERTIFICATION OF CONFORMITY/ COMPLIANCE REQUIRED

SCALE: 1:1
 PART NAME: OUTLINE DWG, ADAPTOR & EZ LD II
 SHEET 1 of 1