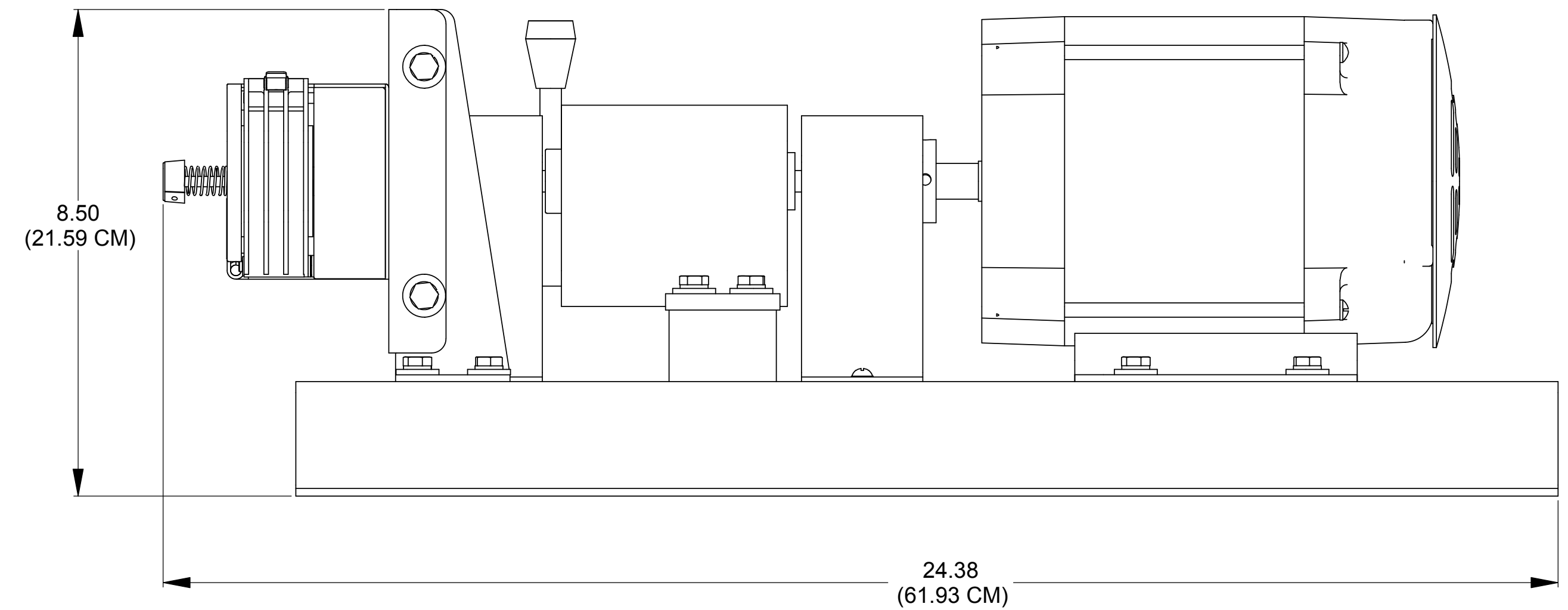
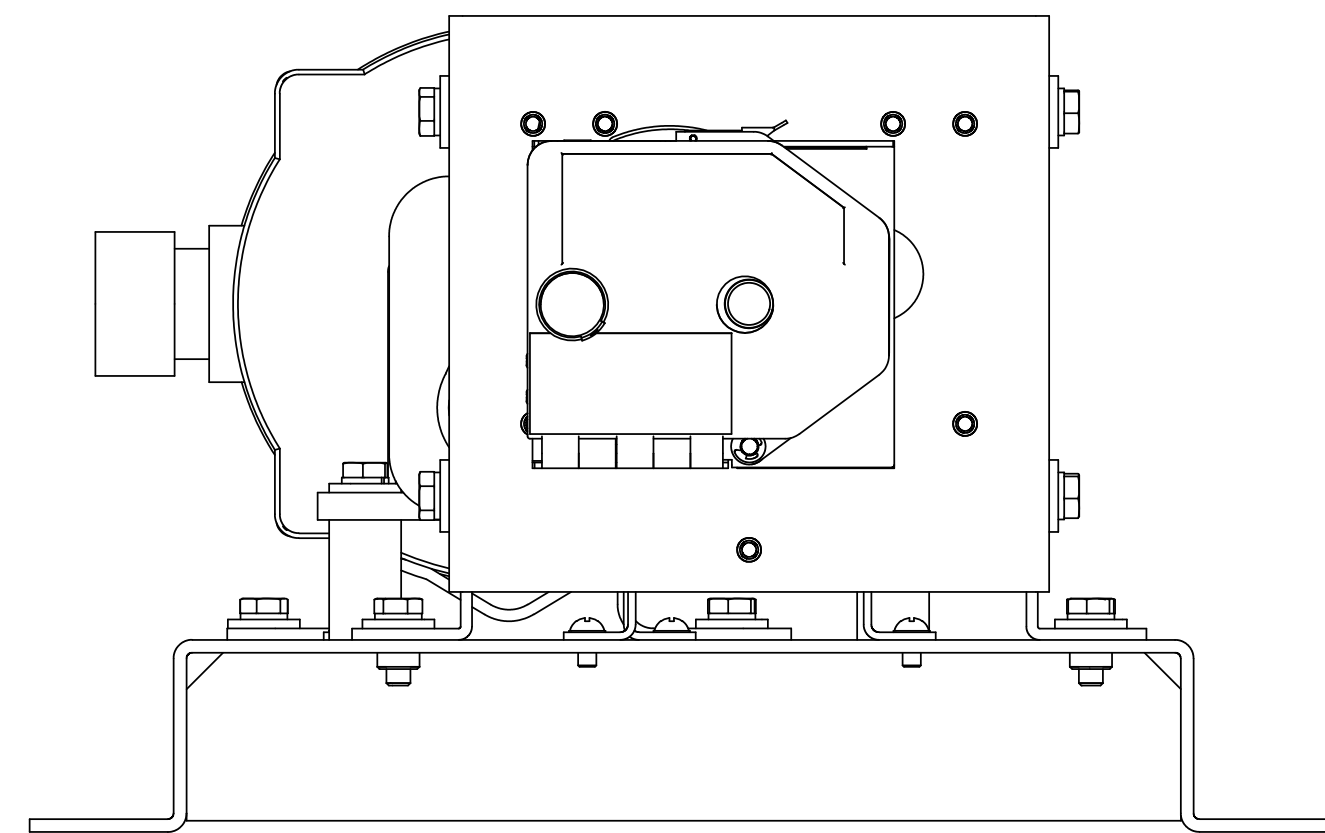
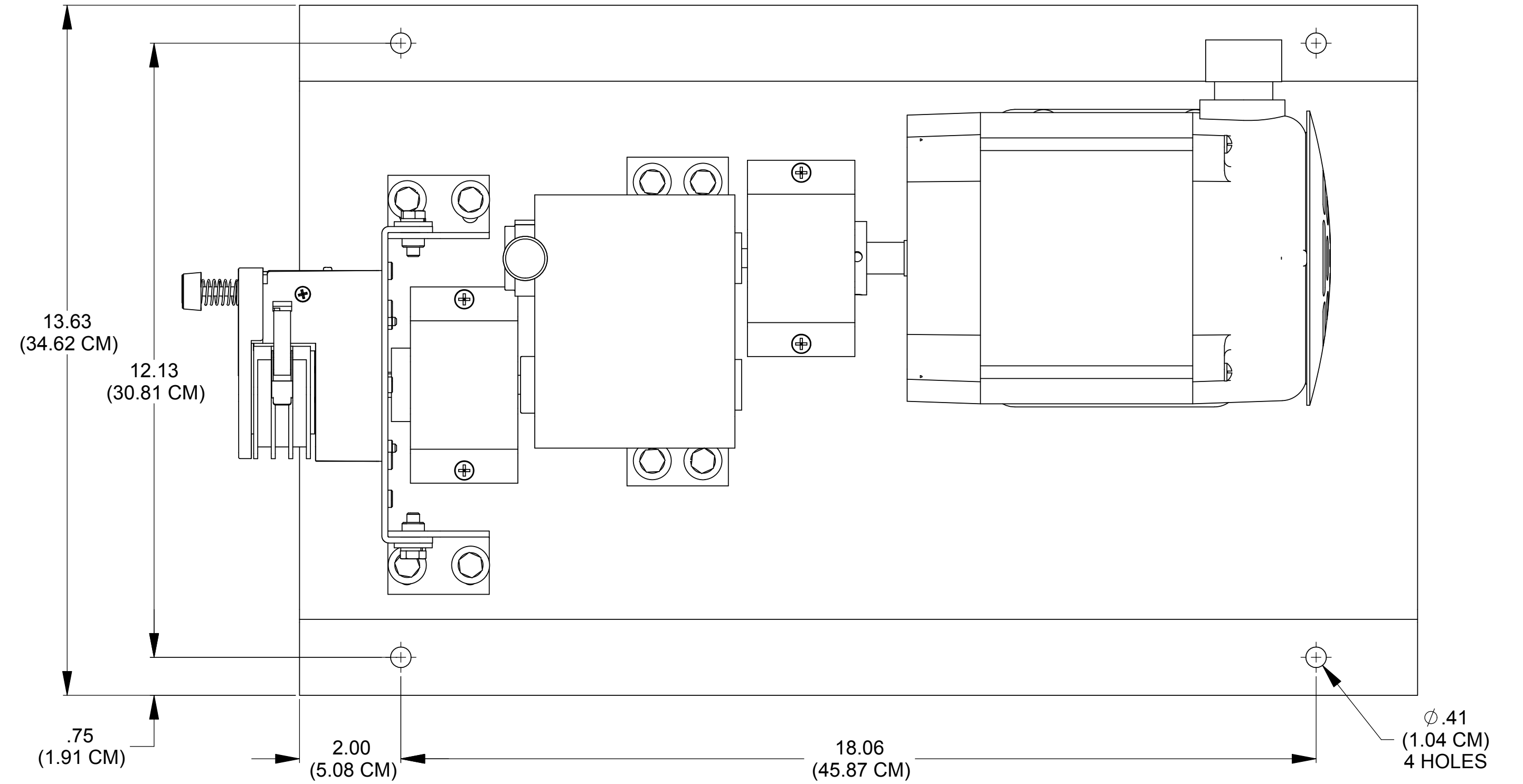
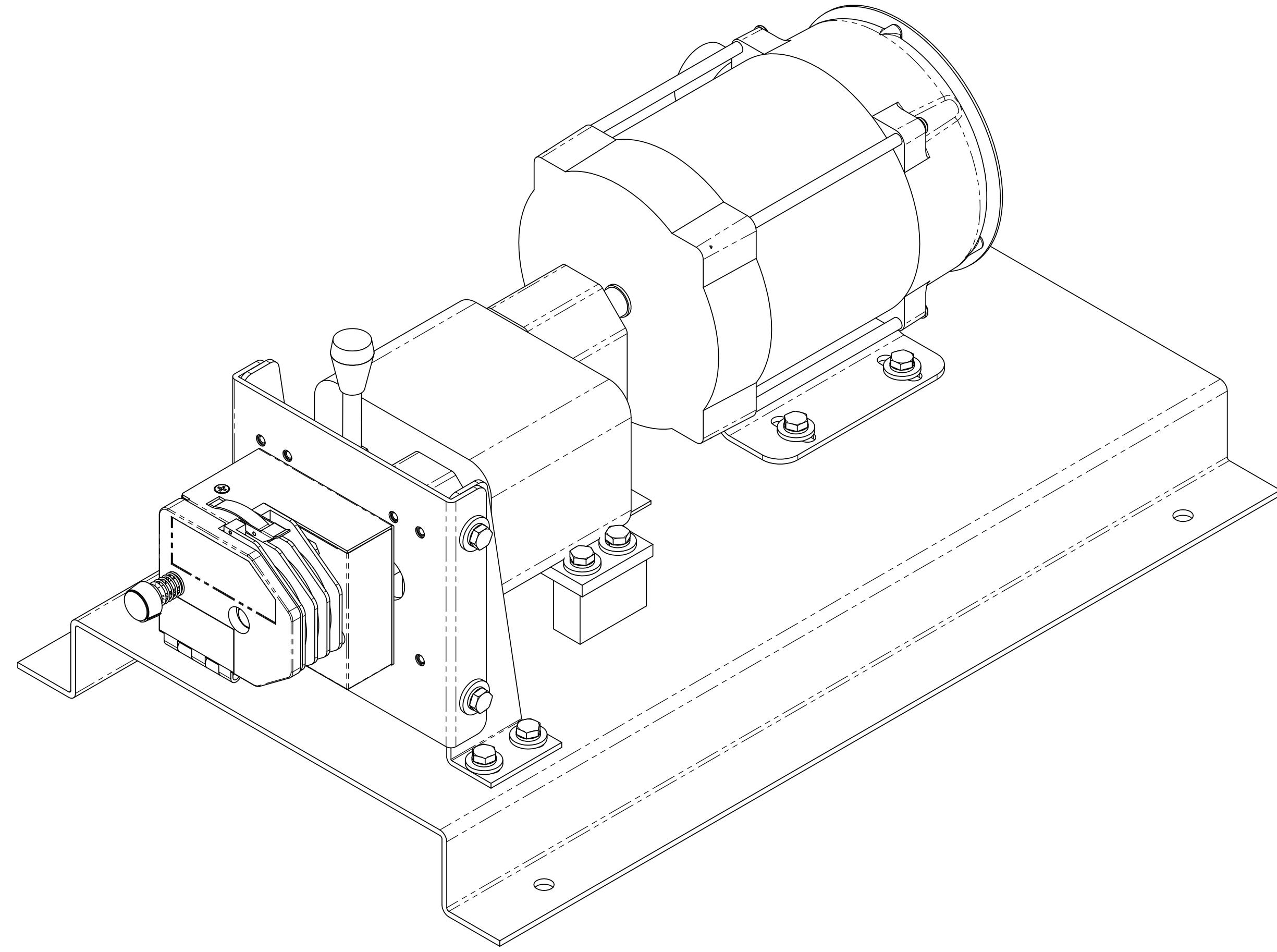


V.A.R. MODEL NUMBERS

965-1630
965-1730



2. ALL DIMENSIONS ARE IN INCHES (CM)
1. ALL DIMENSIONS ARE APPROXIMATE

NOTE:

<p>A RELEASE FOR PRODUCTION</p>				<p>ECN 14595</p>	<p>04/17/06</p>					<p>THE INFORMATION CONTAINED IN THIS DRAWING IS THE SOLE PROPERTY OF THE BARNANT COMPANY. ANY REPRODUCTION IN PART OR WHOLE WITHOUT THE WRITTEN PERMISSION OF THE BARNANT COMPANY IS PROHIBITED.</p>		<p>DATE DRAWN: 09/30/05</p>		<p>UNLESS OTHERWISE SPECIFIED: DIMENSIONS ARE IN INCHES TOLERANCES ARE: XXX ±.005 ANGLES ±.09° MACHINED PARTS TO BE 12GRMS</p>		<p>Barnant Barnant Company, 28W092 Commercial Avenue Barrington, Illinois 60010-2392 (847)-381-7050</p>	
REV	DESCRIPTION	ECN/PRM	DATE	REV	DESCRIPTION	ECN/PRM	DATE	PART No.	PROCESS/FINISH/ MODEL No.	SCALE: 1:2	DO NOT SCALE DRAWING	<p>PART NAME: OUTLINE, DWG IP HAZ DUTY HP PMP</p>		<p>CERTIFICATION OF CONFORMITY/ COMPLIANCE REQUIRED <input type="checkbox"/> MATERIAL <input type="checkbox"/> FINISH <input type="checkbox"/> SOURCE CONTROLLED</p>		<p>D SHEET 1 of 1 DRAWING NUMBER: 108272</p>	