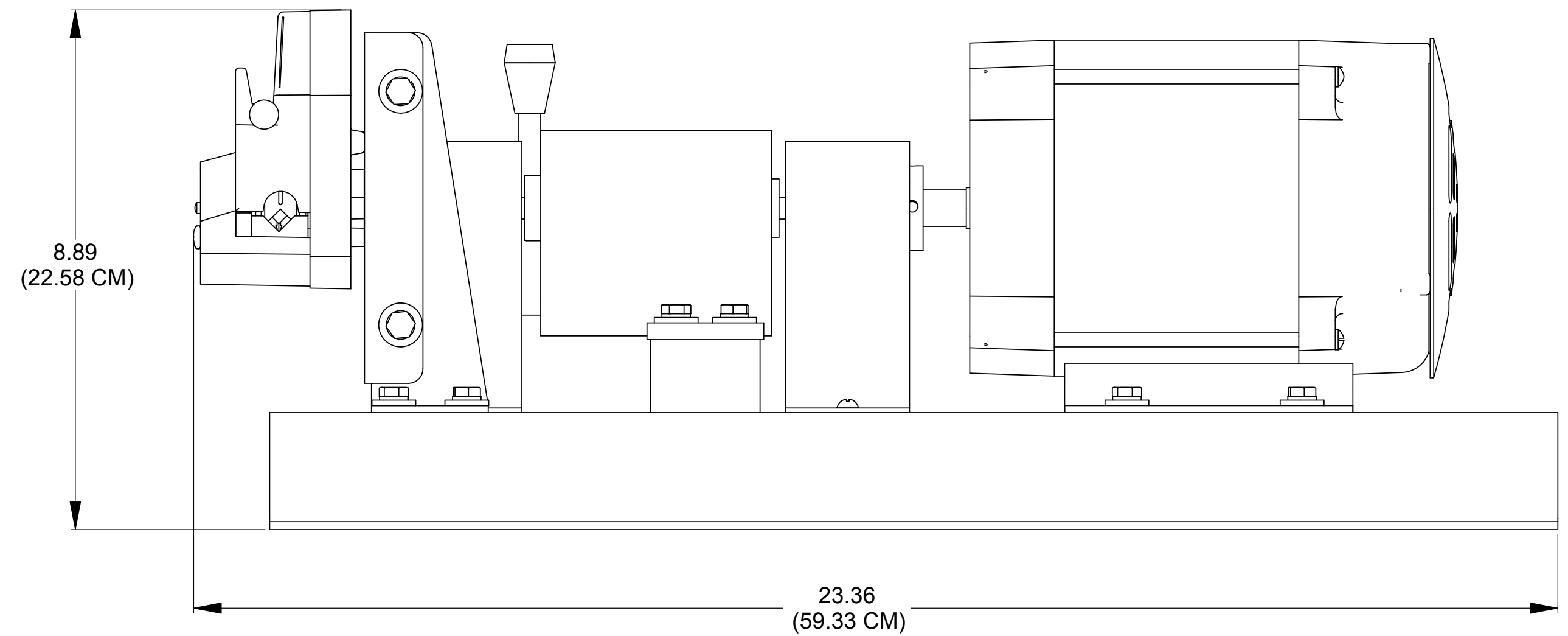
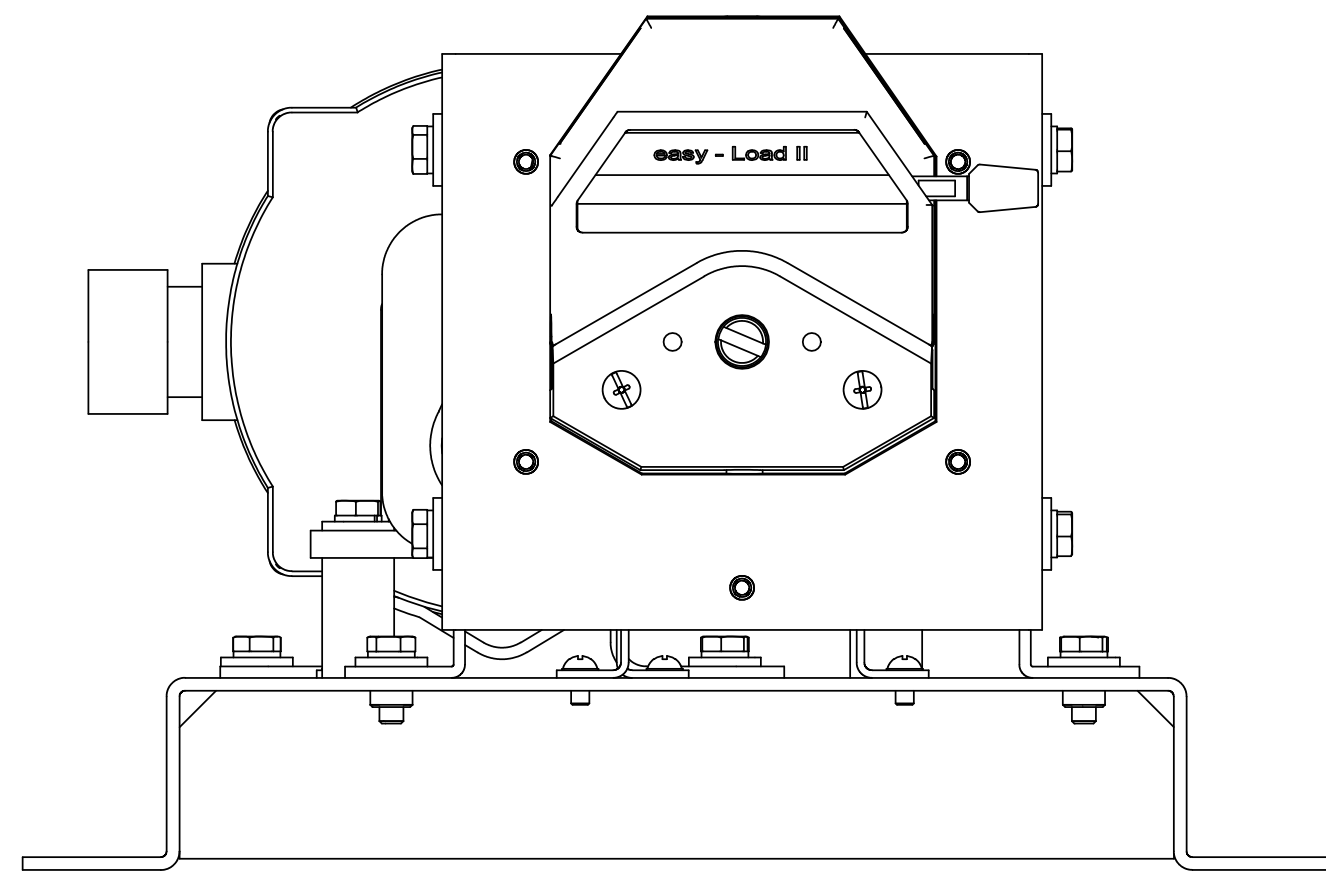
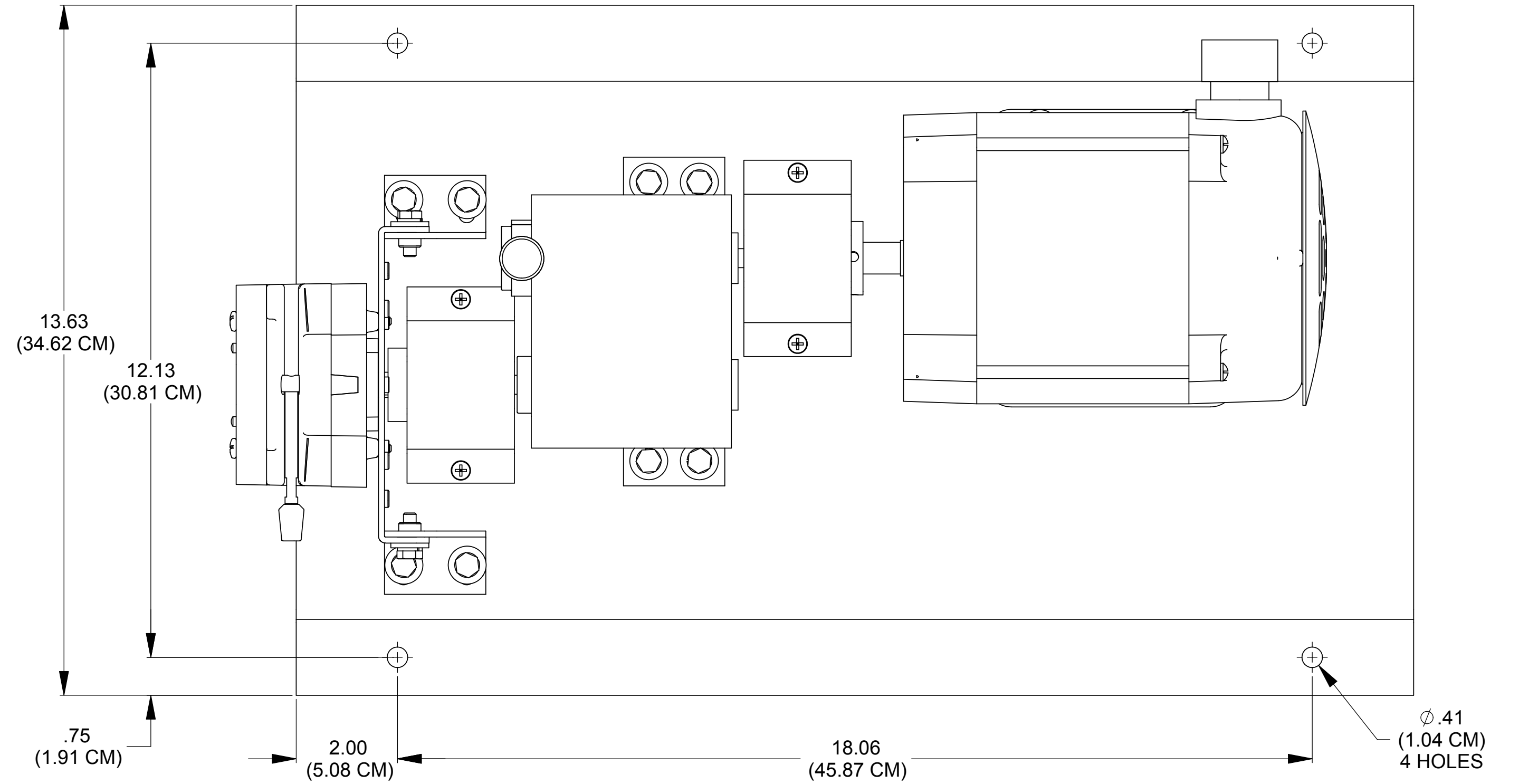
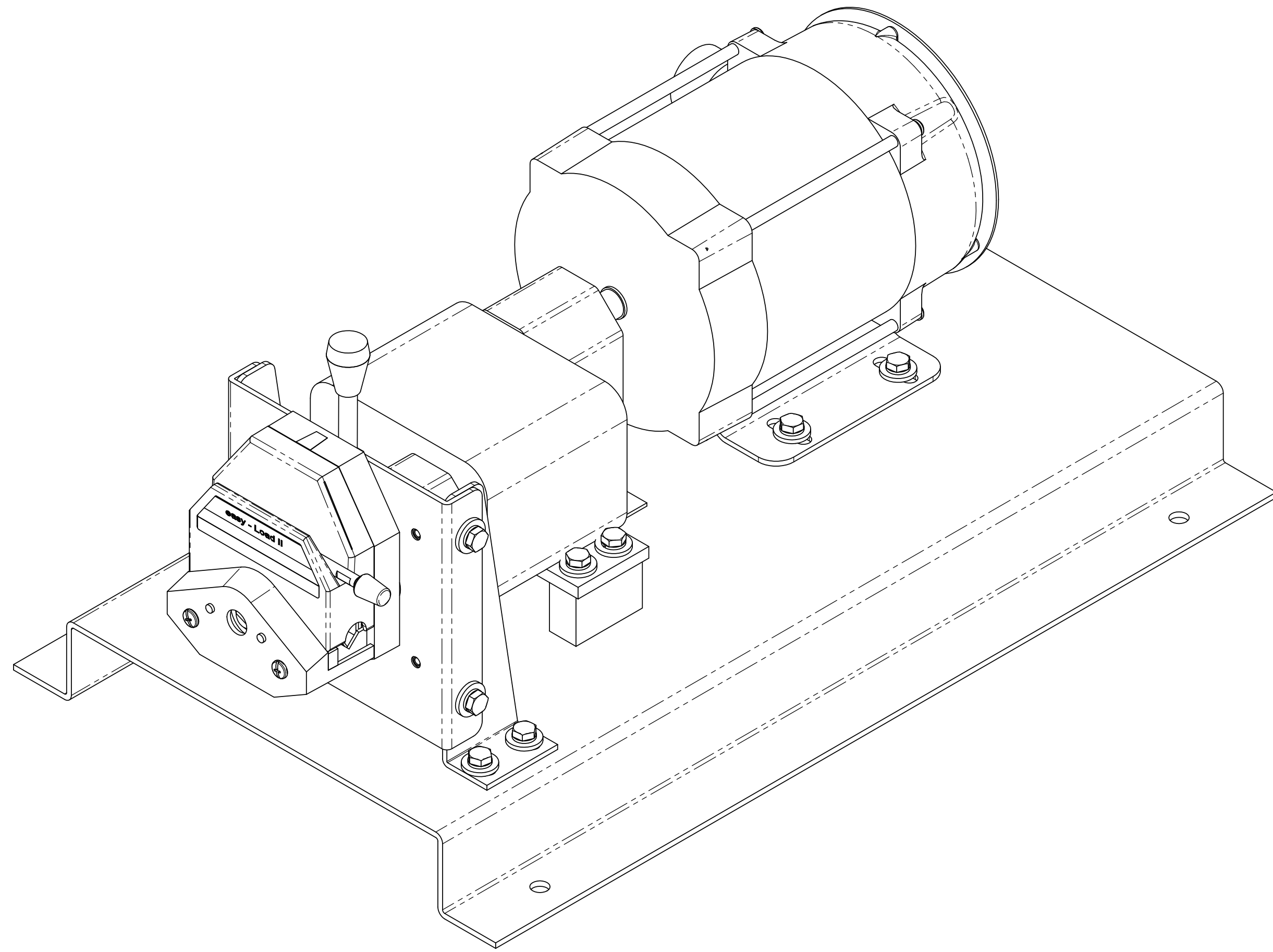


V.A.R. MODEL NUMBERS

955-1630  
 956-1630  
 955-1730  
 956-1730



2. ALL DIMENSIONS ARE IN INCHES (CM)

1. ALL DIMENSIONS ARE APPROXIMATE

NOTE:

				THE INFORMATION CONTAINED IN THIS DRAWING IS THE SOLE PROPERTY OF THE BARNANT COMPANY. ANY REPRODUCTION IN PART OR WHOLE WITHOUT THE WRITTEN PERMISSION OF THE BARNANT COMPANY IS PROHIBITED.				UNLESS OTHERWISE SPECIFIED: DIMENSIONS ARE IN INCHES TOLERANCES ARE: .XX .XXX .005 ANGLES MACHINED PARTS TO BE 12GRINDS		<b>Barnant</b> Barnant Company, 28W092 Commercial Avenue Barrington, Illinois 60010-2392 (847)-381-7050	
				DATE DRAWN: 09/30/05		DRAWN BY: JDM		CHECKED BY: JJS		APPROVED BY: GJ	
				SCALE: 1:2		PART NAME: OUTLINE, DWG IP HAZ DUTY EZ LD2		MATERIAL: <input type="checkbox"/> MATERIAL <input type="checkbox"/> FINISH <input type="checkbox"/> SOURCE CONTROLLED		CERTIFICATION OF CONFORMITY/ COMPLIANCE REQUIRED	
A RELEASE FOR PRODUCTION				ECN 14595		DATE 04/17/06		DO NOT SCALE DRAWING		D SHEET 1 of 1	
REV	DESCRIPTION	ECN/PRM	DATE	REV	DESCRIPTION	ECN/PRM	DATE	PART No.	PROCESS/FINISH/ MODEL No.	DRAWING NUMBER: 108329	