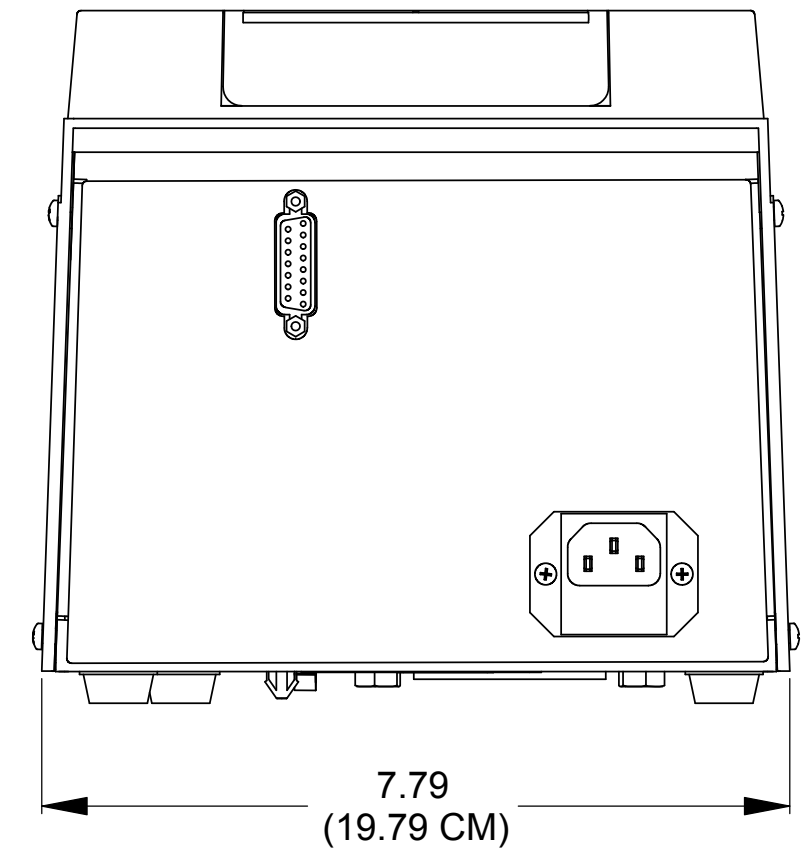
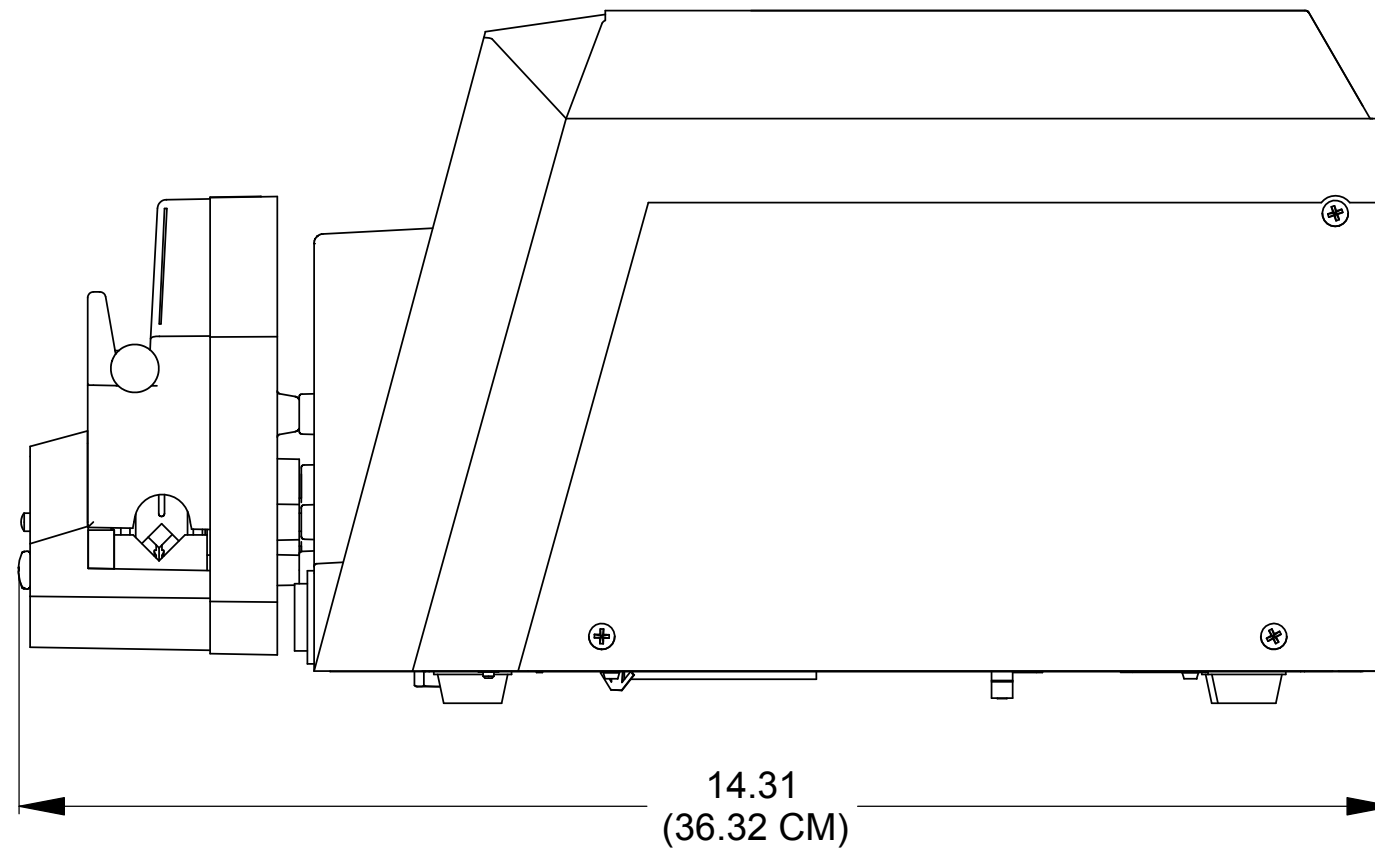
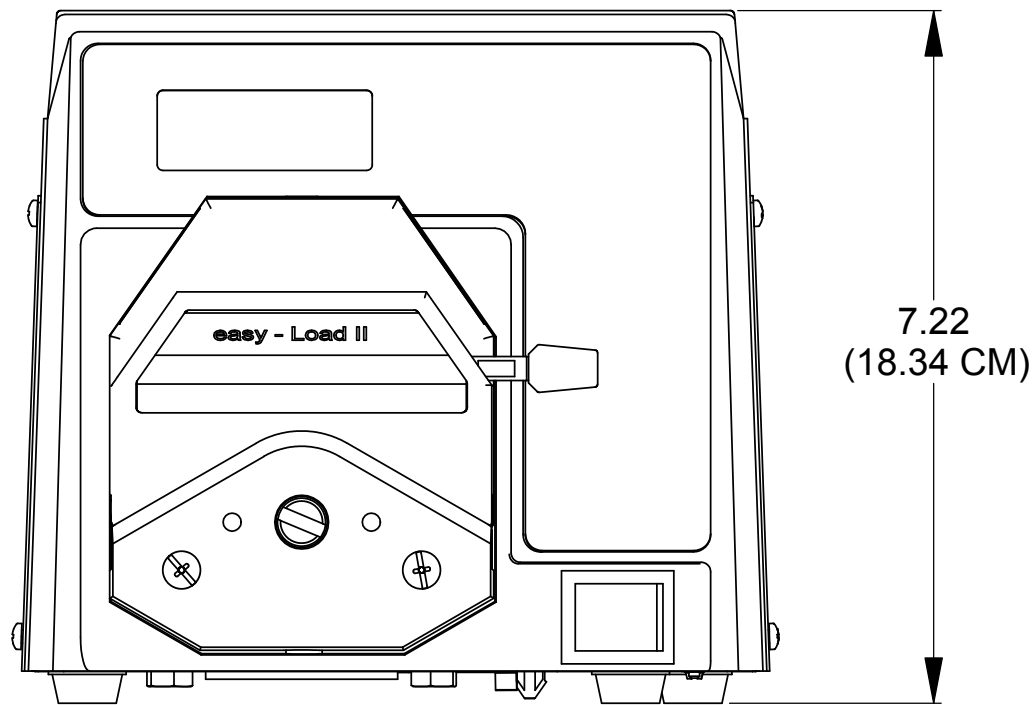
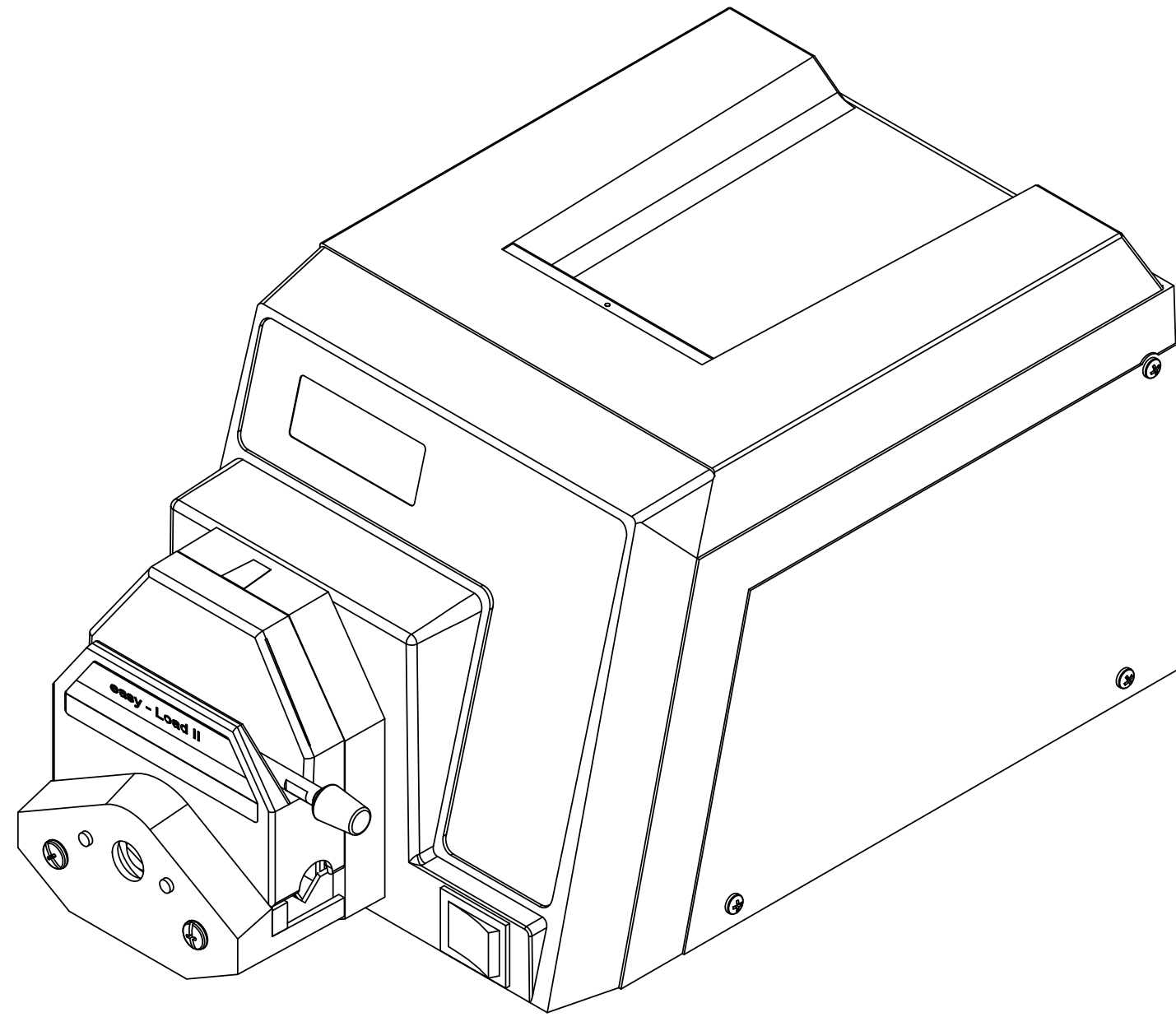


MODEL NUMBERS

975-2000
 975-2100
 975-2600
 975-2700



2. ALL DIMENSIONS ARE IN INCHES (CM)

1. ALL DIMENSIONS ARE APPROXIMATE

NOTE

THE INFORMATION CONTAINED IN THIS DRAWING IS THE SOLE PROPERTY OF THE BARNANT COMPANY. ANY REPRODUCTION IN PART OR WHOLE WITHOUT THE WRITTEN PERMISSION OF THE BARNANT COMPANY IS PROHIBITED.									
								DATE DRAWN: 06/03/05 DRAWN BY: JDM CHECKED BY: JJS APPROVED BY: GJ	
								UNLESS OTHERWISE SPECIFIED: DIMENSIONS ARE IN INCHES. TOLERANCES ARE: XX ±.01 XXX ±.005 ANGLES 1/2° MACHINED PARTS TO BE 125RMS.	
								MATERIAL: NA CERTIFICATION OF CONFORMITY/ COMPLIANCE REQUIRED: <input type="checkbox"/> MATERIAL <input type="checkbox"/> FINISH <input type="checkbox"/> SOURCE CONTROLLED	
A		RELEASED FOR PRODUCTION		ECN 14595		04/14/06		SCALE: 1:2 PART NAME: OUTLINE, DRAWING DRV W EZ LD II	
REV	DESCRIPTION	ECN/PRM	DATE	REV	DESCRIPTION	ECN/PRM	DATE	PART No.	DO NOT SCALE DRAWING SHEET 1 of 1 DRAWING NUMBER: 108309

Barnant
 Barnant Company, 28W092 Commercial Avenue
 Barrington, Illinois 60010-2392 (847)-381-7050