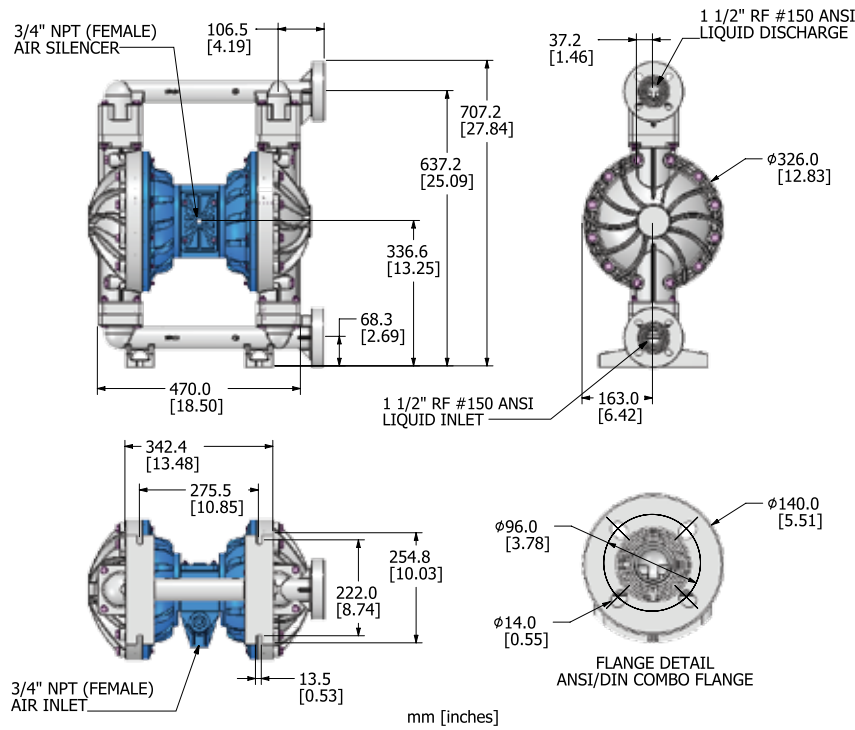


1.5" NON-METALLIC BOLTED

Air Operated Double Diaphragm Pump

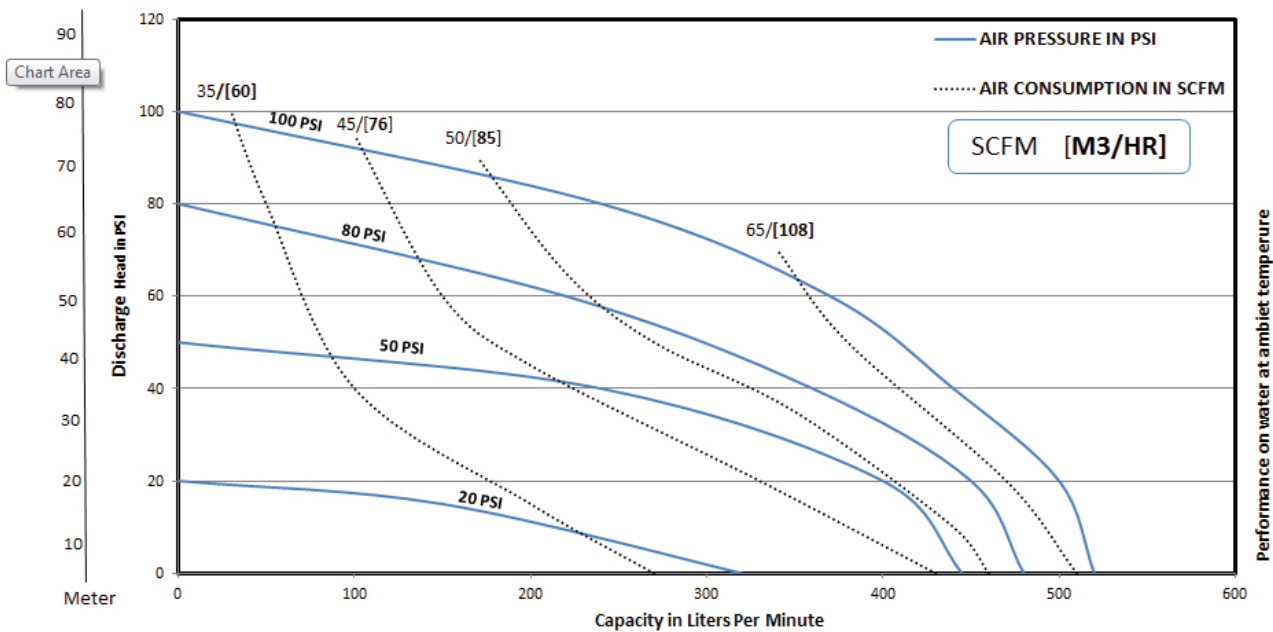
DIMENSIONAL DATA



SPECIFICATION

- Max Flow rate
520 LPM
- Max Solid Sizes
6 mm
- Fluid Connections
1.5" 150# ANSI/DIN Flange
- Air inlet
3/4" NPT(F)
- Max. Lift Dry Limits
6.1 m
- Max. working Pressure
125 psi
- Temperature Limits
Determined by Elastomers

PERFORMANCE



* Product pattern pending