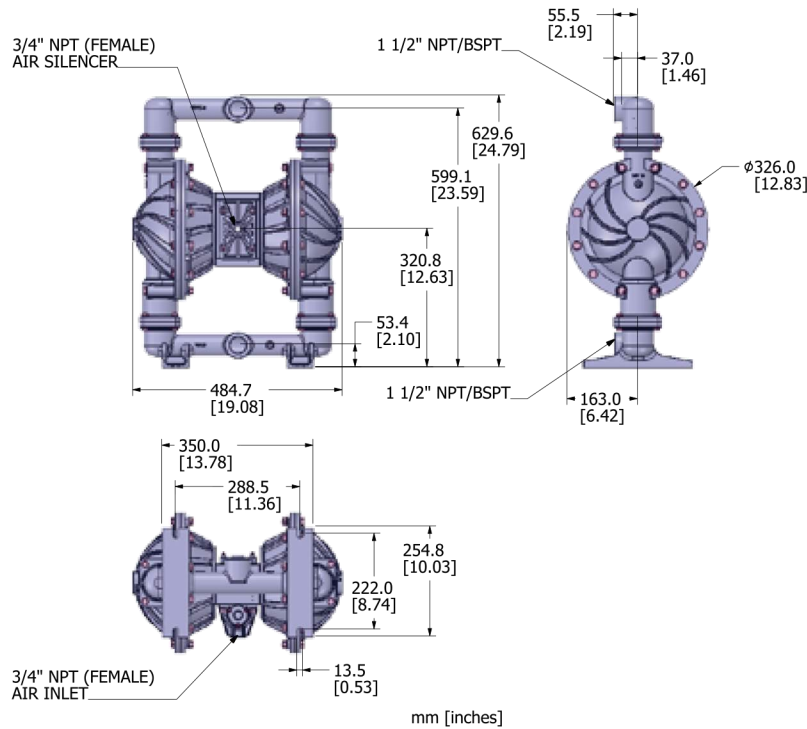


1.5" METALLIC BOLTED

Air Operated Double Diaphragm Pump

DIMENSIONAL DATA



SPECIFICATION

Max Flow rate	520 LPM
Max Solid Sizes	6 mm
Fluid Connections	1.5" NPT / BSP (F)
Air inlet	3/4" NPT(F)
Max. Lift Dry Limits	6.1 m
Max. working Pressure	125 psi
Temperature Limits	Determined by Elastomers

PERFORMANCE

