



Pipeline Accessories

Gauge Guards – PVC, Corzan® CPVC, PPL and PVDF

Gauge guards isolate and protect gauges and other instruments from the process media. They work in any position in both vacuum and pressure applications. Hayward gauge guards can be supplied without a gauge or with either a 0 to 30, 0 to 60 or 0 to 160 psi gauge installed.



Features

- 1/4" x 1/4" or 1/4" x 1/2" Threaded NPT Connections
- FPM Membrane
- Air Bleed Port for Gauge Installation
- All Plastic, No Rust or Corrosion
- No Metal Fasteners
- Low Profile, Compact Design
- Work in any Position

Valve-Safe Lockouts

Hayward valve lockouts are made from PPL and are used to prevent tampering or other unauthorized valve operation. Up to 3 padlocks can be used to secure the lockout in either the open or closed position.



Features

- All-plastic PPL construction
- For all ball valves up to 6" size
- Use with up to three padlocks
- Valve handle is completely enclosed
- Impact resistant

Ready Flanges – PVC, Corzan® CPVC and PPL – 1" to 4"

Hayward Ready Flanges easily convert socket PVC and CPVC valves or threaded PPL valves to flanged connections. Ready Flanges feature a one-piece body with an integral nipple, eliminating the need for an extra fabricated joint and preventing a possible leak path.

Corzan® is a trademark of Noveon, Inc.

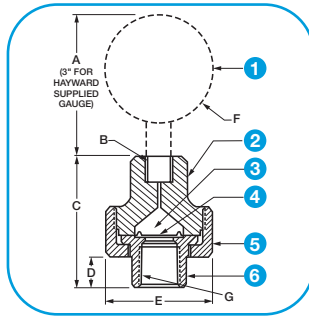


Features

- Integral Molded Nipple
- 150# ANSI Bolt Pattern
- Easy, One-Step Installation

Technical Information

Gauge Guards



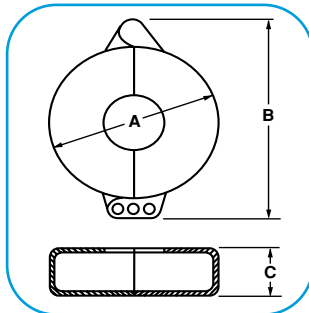
Parts List

1. Gauge/Instrument
2. Body
3. Oil-Filled Upper Chamber with Installed Gauge
4. FPM Membrane
5. Union Nut
6. End Connector

Dimensions - Inches / Millimeters

Size	A	B	C	D	E	F	G
1/4" x 1/4"	3.0 / 76	1/4" NPT	2.69 / 68	0.61 / 15	2.25 / 57	2.3 / 58	1/4"
1/4" x 1/2"	3.0 / 76	1/4" NPT	2.69 / 68	0.61 / 15	2.25 / 57	2.3 / 58	1/2"

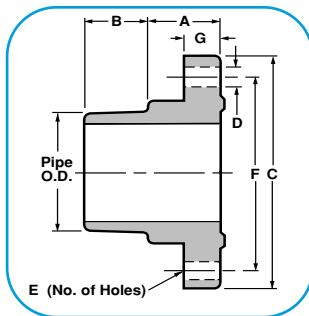
Valve-Safe Lockouts



Dimensions - Inches / Millimeters

Size	A	B	C
1/2" to 2" Ball Valves	5.50 / 140	7.00 / 178	1.75 / 44
2-1/2" to 6" Ball Valves	14.50 / 368	16.00 / 406	3.00 / 76

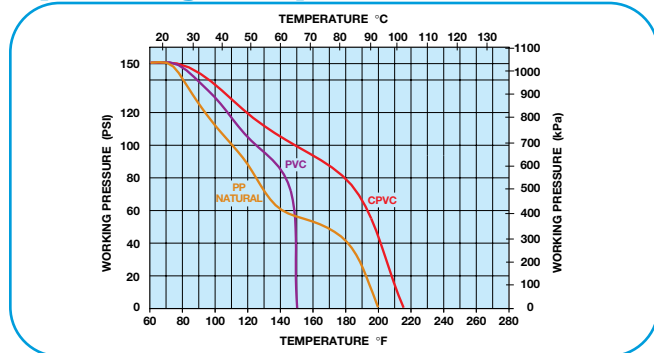
Ready Flanges



Dimensions - Inches / Millimeters

Size	A	B	C	D	E	F	G	Weight (lb / kg)
1"	1.25 / 32	1.19 / 30	4.50 / 114	0.56 / 14	4	3.13 / 80	.56 / 14	0.50 / .23
1-1/2"	1.50 / 38	1.44 / 37	5.00 / 127	0.56 / 14	4	3.88 / 99	0.75 / 19	0.75 / .34
2"	1.65 / 42	1.54 / 39	6.00 / 152	0.75 / 19	4	4.75 / 121	0.75 / 19	1.25 / .57
3"	1.98 / 50	1.84 / 47	7.50 / 191	0.75 / 19	4	6.00 / 152	1.00 / 25	2.75 / 1.25
4"	2.36 / 60	2.31 / 54	9.00 / 229	0.75 / 19	8	7.50 / 191	1.13 / 29	4.50 / 2.04

Operating Temperature/Pressure



HAYWARD



Hayward Industrial Products, Inc.

One Hayward Industrial Drive, Clemmons, NC 27012
 Tel: 1-888-429-4635 (1-888-HAYINDL) • Fax: 1-888-778-8410
 E-mail: hflow@haywardnet.com
 Web Site: <http://www.haywardindustrial.com>