

# Echotouch® LU20

Ultrasonic Level Transmitter

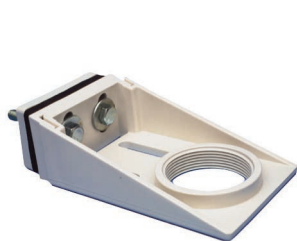


## Application

Intrinsically safe for use in hazardous locations, the ultrasonic transmitter provides continuous level measurement up to 18' (5.4m), and is configured via its integral push button display module. This non-contact liquid level sensor is ideally suited for corrosive, sticky or waste liquids, and is selected for bulk storage, day tank, skid or machine and process tank applications located within a classified area.

## Features

- LCD digital display indicates level in inches or centimeters
- PP enclosure rated NEMA 4X with rugged Kynar® transducer
- EasyCal simple push button calibration for all user set points
- Adjustable dead band and range filters eliminate false echo returns



LM50 Shown



LB10 Shown

## Specifications

<b>Range:</b>	6" to 18' (15cm to 5.4m)
<b>Accuracy:</b>	± 0.25% of range
<b>Resolution:</b>	0.125" (3mm)
<b>Dead band:</b>	6" (15cm)
<b>Beam width:</b>	8° conical
<b>Configuration:</b>	Push button
<b>Memory:</b>	Non-volatile
<b>Display type:</b>	LCD, 4-digit
<b>Display units:</b>	Inch or cm
<b>Supply voltage:</b>	12-32 VDC
<b>Loop resist.:</b>	600 Ohms @ 24 VDC
<b>Signal output:</b>	4-20 mA, two-wire
<b>Signal invert:</b>	4-20 mA, 20-4 mA
<b>Signal fail-safe:</b>	Reverts to safe state during echo loss
<b>Process temp.:</b>	F: -4° to 140° C: -20° to 60°
<b>Temp. comp.:</b>	Automatic
<b>Ambient temp.:</b>	F: -40° to 140° C: -40° to 60°
<b>Pressure:</b>	30 psi (2 bar) @ 25° C, derated @ 1.667 psi (.113 bar) per °C above 25° C
<b>Enclosure rating:</b>	NEMA 4X (IP65)
<b>Encl. material:</b>	PP, UL94V0
<b>Conduit entrance:</b>	Single, 1/2" NPT
<b>Trans. material:</b>	PVDF
<b>Process mount:</b>	2" NPT (2" G)
<b>Mount gasket:</b>	Viton®
<b>Classification:</b>	Intrinsically safe
<b>Compliance:</b>	CE
<b>Approvals:</b>	CSA: Class I, Groups A, B, C, D; Class II, Groups E, F, G; Class III; T3C
<b>Parameters:</b>	CSA: Vmax < 32.0 V; Imax < 130 mA; Ca = 0 uF; La = 0 uH
<b>Certificates:</b>	CSA: LR 79326

## Ordering

LU20-50  1-IS

### PROCESS MOUNT (1) (2) (3)

- 0 2" NPT (US)
- 6 2" G (Metric)

## NOTES

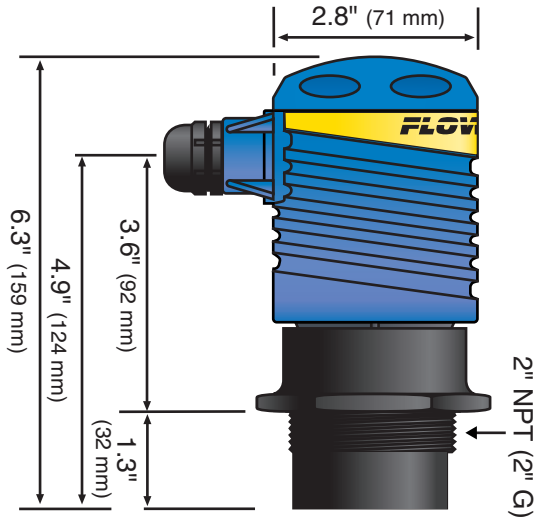
- 1) The straight G thread version seals with an included Viton® mounting gasket.
- 2) For installation on open tanks, order the LM50-1001 (2" NPT) or LM50-1061 (2" G) side mount bracket. Locate the bracket far enough inboard from the side wall to avoid sensor beam width conflicts.
- 3) To order the general purpose transmitter, do not specify the last two digits (ie: LU20-5001).
- 4) To complete your IS transmitter, add the LB10-1001 intrinsic safety barrier.

# Echotouch® LU20

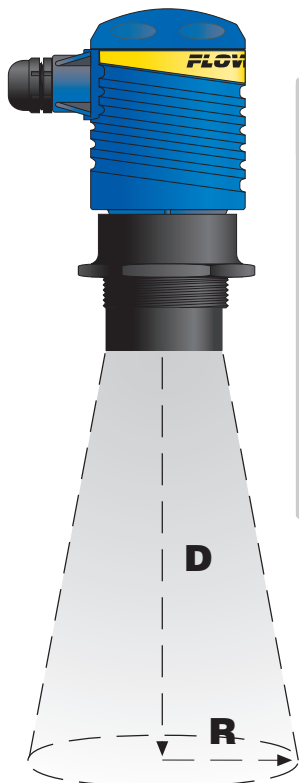
Ultrasonic Level Transmitter



## Dimensions

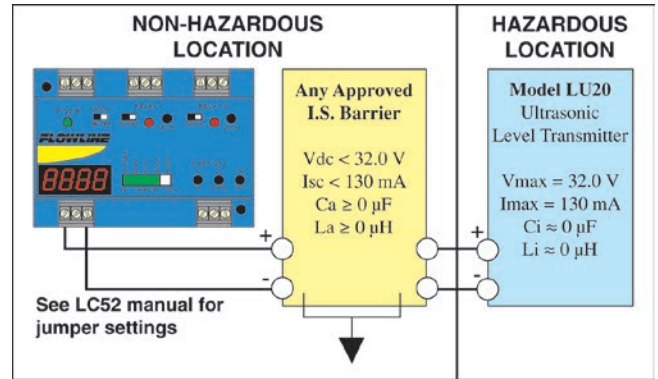


## Beam Width

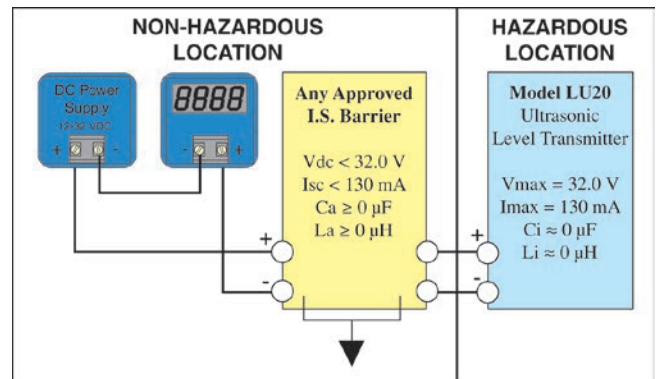


Depth (Feet)	Radius (Inches)	Radius (cm)
2	2.1	5.3
4	3.7	9.4
6	5.4	13.7
8	7.1	18.0
10	8.8	22.4
12	10.4	26.4
14	12.1	30.7
16	13.8	35.0
18	15.5	39.4

## LC52 Relay Controller



## Loop Powered Indicator



## PLC

