

# DataLoop™ LI25-1

Level Indicator



## Application

The general purpose loop powered level indicator displays engineering units connected in series with one 4-20 mA continuous level transmitter. For field mount installation, add a single or two indicator NEMA box.



## Features

- Easy configuration via the push button display module
- LCD main display with secondary unit and bar graph display
- DIN enclosure with NEMA 4X faceplate and shallow case
- Linear, square root and programmable exponent functions
- Non-volatile memory with security password protection
- Windowed NEMA box accessory for field installations

## Key Benefits

- Bright backlit display for easy night viewing
- Capable of displaying units in gallons, liters, inches, feet, meters or percent of liquid
- Receives power and signal via the transmitters current loop with only a 2 VDC drop

## Compatible Products



**LG10-**

**ECHOWAVE®**

Guided Wave Level  
Transmitter



**LU28**

**ECHOSONIC®**

Ultrasonic Level  
Transmitter



**DL14**

**ECHOPOD®**

Ultrasonic Level  
Transmitter



**LU83**

**ECHOSPAN®**

Ultrasonic Level  
Transmitter



**LR15**

**ECHOPULSE®**

Pulse Radar Level  
Transmitter

# DataLoop™ LI25-1

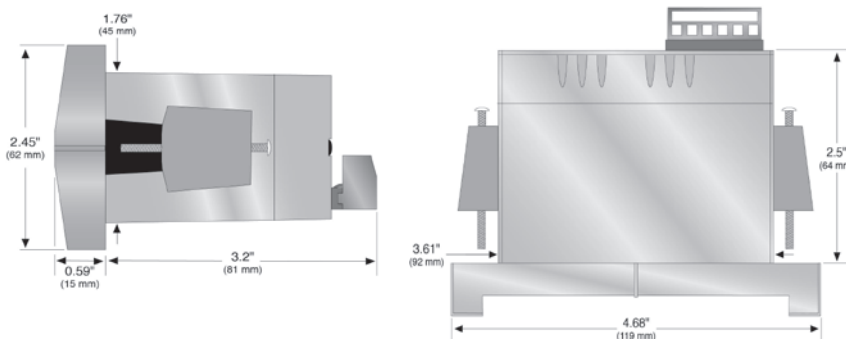
Level Indicator



## Specifications

<b>Display type:</b>	LCD, 5-digit
<b>Display units:</b>	Engineering
<b>Display output:</b>	-9999 to 99999
<b>Display height:</b>	0.6" (15mm)
<b>Decimal point:</b>	Floating
<b>Backlight:</b>	LED, orange
<b>Configuration:</b>	Push button
<b>Memory:</b>	Non-volatile
<b>Sensor input:</b>	(1) 4-20 mA transmitter
<b>Loop power:</b>	12-30 VDC
<b>Voltage drop:</b>	2.0 VDC w/o backlight 5.7 VDC w/ backlight
<b>Process temp.:</b>	F: -22° to 149° C: -30° to 65°
<b>Ambient temp.:</b>	F: -40° to 149° C: -40° to 65°
<b>Enclosure type:</b>	1/8 DIN, panel mount
<b>Enclosure rating:</b>	NEMA 4X (IP65) faceplate
<b>Enclosure mat'l:</b>	Polycarbonate
<b>Classification:</b>	General purpose
<b>Compliance:</b>	CE

## Dimensions



## Accessories

Protect your field mounted display from the elements with the below recommended single or two indicator box. For reliable power, add a LC95 power supply.



P/N	DESCRIPTION
<b>LM92-1002</b>	Single indicator windowed, 1/8 DIN, PC



<b>LM92-2002</b>	Two indicator windowed, 1/8 DIN, PC
------------------	-------------------------------------



<b>LC95-2001</b>	100-240 VAC, 24 VDC @ 0.45A, 35mm rail
------------------	--

## Ordering

LI25-1001 <sup>(1)</sup>

### NOTES

- 1) For field mount installation in a NEMA 4X, polycarbonate windowed enclosure, order the single or two indicator box.