

A-100NF

Variable Speed

Dial Knob Control



Features:

- Peristaltic pump design does not have valves that can clog requiring maintenance.
- Self priming - even against maximum line pressure. By-pass valves are not required. Cannot vapor lock or lose prime.
- Outputs to 250 ml/min (95.1 GPD).
- Output pressures to 100 PSI.
- Output volume is not effected by changes in back pressure.
- Patented pump tube design installs easily and stays centered on the rollers without manual adjustment.
- Two pump tubes supplied with each pump. No extra tubing required.
- Easy to use dial knob speed adjustment.
- Built-in Tube Failure Detection system (TFD). Senses chemical in the pump head, shuts off the pump and activates an NPN open collector output.
- Compatible with Blue-White's output flow verification sensor system.
- Durable housing of chemical resistant Valox (PBT) thermoplastic.

Specifications:

Max. working pressure: 100 psig (6.9 bar)

Max. fluid temperature: 130° F (54° C)

Max. ambient temperature: 14° to 110° F / -10° to 43° C

Output adjustment range: 5-100% in 1% increments

Duty cycle: Continuous

Maximum viscosity: 5,000 Centipoise

Maximum suction lift: 30 ft. Water 0 psig

Maximum Solids: 50% by volume

Enclosure: NEMA type 2, (IP21)

Voltage (amp draw): 115VAC/60Hz, 1ph (.513 amp max)

230VAC/60Hz, 1ph (.563 amp max)

220VAC/50Hz, 1ph (.660 amp max)

240VAC/50Hz, 1ph (.585 amp max)

Power Cord Plug Type: 115V60Hz = NEMA 5/15 (USA)

230V60Hz = NEMA 6/15 (USA)

220V50Hz = CEE 7/VII (EUROPE)

240V50Hz = CEE 7/VII (U.K)

Approximate shipping wt: 12 lb. (5.4 kg)

Materials of Construction:

Wetted components:

Pump Tube Assembly: Norprene[®], Tygothane[®] or Viton[®] tubing
PVDF tube assembly connection fittings

Suction Tubing: Clear PVC

Suction Strainer: Natural Polypropylene

Discharge Tubing: Natural Polyethylene (LLDPE)

Injection/Check valve:

Body & insert: Polypropylene (optional PVDF)

Check Ball: Ceramic

Spring: Hastelloy C-276

Ball Seat O-ring: TFE/P (optional EP)

Static Seal O-ring: Viton[®] (optional EP)

Non-Wetted components:

Pump Head & Enclosure: Valox[®] (PBT) thermoplastic

Pump Head Cover: Clear PVC

Cover Screws: 300 Stainless, Polypropylene cap

Roller Assembly:

Rotor: Valox[®] (PBT)

Rollers: Nylon

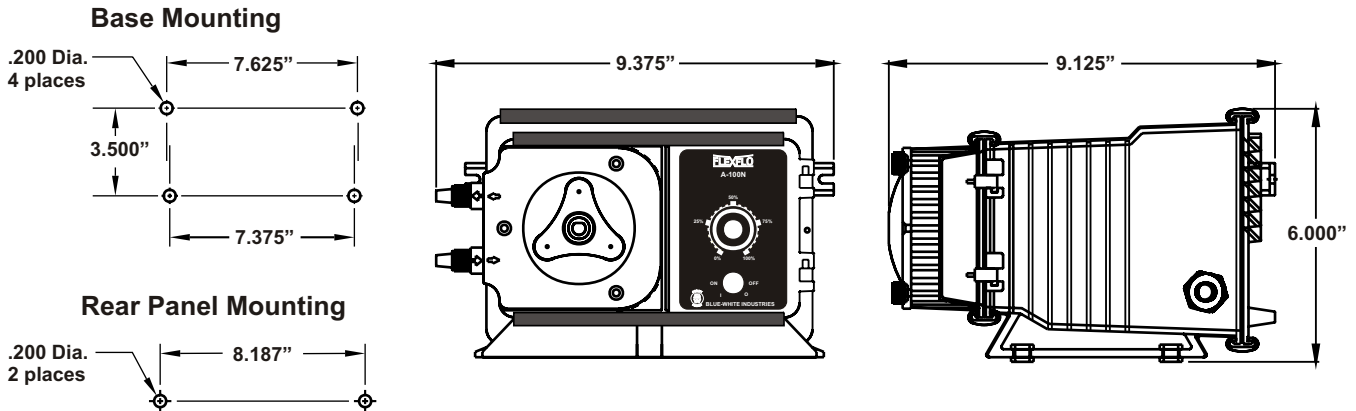
Roller Bearings: Bronze

Motor Shaft: Nickel plated steel

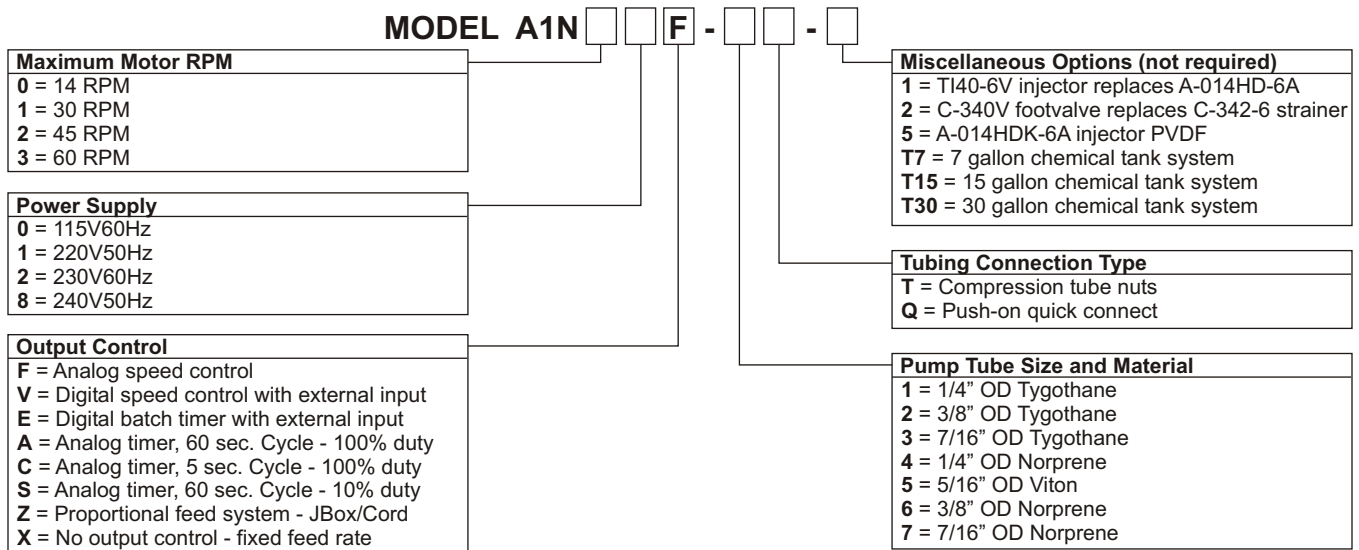
TFD System Sensor pins: Hastelloy C-276

Power Cord: 3 conductor, SJTW-A Water-resistant

Dimensions:



Model Number Matrix:



Maximum Flow rate and pressure capacities:

Tube no.	Tubing Material	14 RPM MODELS				30 RPM MODELS				45 RPM MODELS				60 RPM MODELS							
		ml/min	oz/min	gph	gpd	PSI	ml/min	oz/min	gph	gpd	PSI	ml/min	oz/min	gph	gpd	PSI	ml/min	oz/min	gph	gpd	PSI
1	Tygothane	15	0.51	0.24	5.7	65	35	1.18	0.55	13.3	65	54	1.83	0.86	20.5	65	67	2.26	1.06	25.5	65
2	Tygothane	32	1.08	0.51	12.2	65	75	2.54	1.19	28.5	65	115	3.89	1.82	43.7	65	140	4.73	2.22	53.2	65
3	Tygothane	73	2.47	1.16	27.8	50	173	5.85	2.74	65.8	50	261	8.82	4.14	99.2	50	326	11.01	5.17	124.0	50
4	Norprene	6	0.20	0.10	2.3	100	13	0.44	0.21	4.9	100	21	0.20	0.10	8.0	100	25	0.85	0.40	9.5	75
5	Viton	11	0.37	0.17	4.2	25	26	0.88	0.41	9.9	25	39	1.31	0.62	14.8	25	48	1.62	0.76	18.3	25
6	Norprene	18	0.61	0.29	6.8	100	42	1.42	0.67	16.0	100	63	2.13	1.00	24.0	100	79	2.67	1.25	30.0	75
7	Norprene	57	1.92	0.90	21.7	50	138	4.66	2.19	52.5	50	200	6.76	3.17	76.1	50	250	8.45	3.96	95.1	50

Replacement Pump Tubes:

Pump Model Number Suffix	Pump Tube Part Number	Pump Tube Material	Nominal Pump Tube OD
-1T	A-002N-1T	Tygothane	1/4"
-2T	A-002N-2T	Tygothane	3/8"
-3T	A-002N-3T	Tygothane	7/16"
-4T	A-002N-4T	Norprene	1/4"
-5T	A-002N-5T	Viton	5/16"
-6T	A-002N-6T	Norprene	3/8"
-7T	A-002N-7T	Norprene	7/16"
-1Q	A-002N-1Q	Tygothane	1/4"
-2Q	A-002N-2Q	Tygothane	3/8"
-4Q	A-002N-4Q	Norprene	1/4"
-6Q	A-002N-6Q	Norprene	3/8"