

A NEW LEVEL OF PROTECTION AGAINST CORROSION AND TEMPERATURE

The Revolution truly lives up to its name by replacing the traditional metallic fasteners with a threaded housing made from CPVC instead of PVC to increase the temperature ratings up to 180 °F.

10 cubic inch (.16L) Pulsation Dampener features two “revolutionary” designs:



- Threaded housings eliminate the need for metal fasteners that can be damaged in corrosive environments
- PVC bladder and housing provides complete chemical compatibility



When To Use A Pulsation Dampener

- Reduce pump pulsation, pipe vibration, and shaking up to 99%
- Protect plastic piping, joints, and fittings from breaking or leaking
- Extend pump life and performance
- Minimize pump cavitation
- Limit damaging pressure surges caused by pump start-up and shut-down
- Remove tube motion that abrades and shortens tube life
- Eradicate splashing, foaming, or product degradation
- Ensure accurate reading of flow meters and gauges
- Produce a smooth, even flow for spraying or filling

Some Common Pumping System Problems Solved!

Problems/Symptoms	Solutions
Shaking Pipes	Blacoh Pulsation Dampener
PD Pump Pulsations	Blacoh Pulsation Dampener
System Damage Due To Pressure Spikes	Blacoh Surge Suppressor
Hydraulic Noise	Blacoh Surge Suppressor
Premature Pump (Component) Failure	Blacoh Dampener/Suppressor
Valves Leaking	Blacoh Dampener/Suction Stabilizer
Fittings Breaking	Blacoh Pulsation Dampener

Applications:





PRINCIPLES OF OPERATION

Blacoh's **Revolution** Pulsation Dampener is the first of its kind to feature threaded housings instead of metal fasteners, making it nearly impervious to the damaging effects of corrosive environments. Now, the innovation continues as standard PVC construction has been upgraded to CPVC. The benefits of this upgrade are significant.

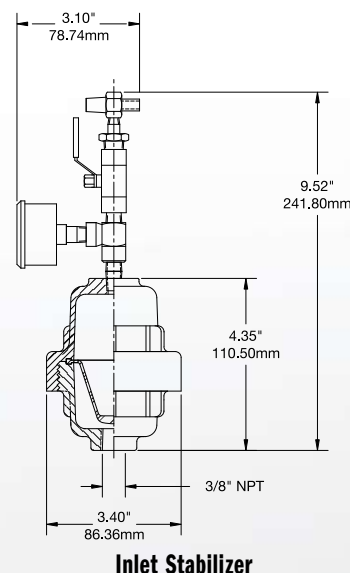
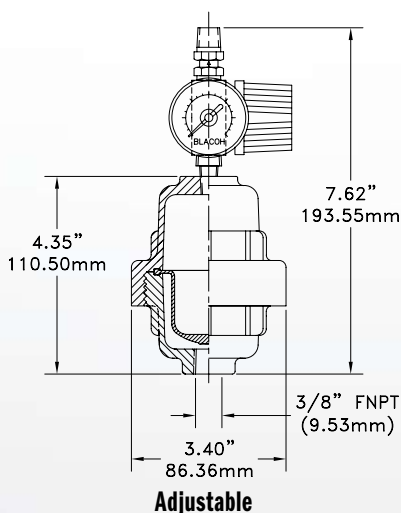
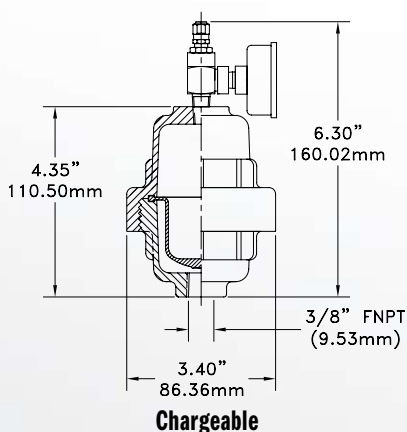
The **NEW CPVC Revolution** offers a considerably higher temperature rating (180 °F) than the PVC model (125 °F). Furthermore, the **NEW Revolution** offers chemical resistance capabilities equal to or better than the PVC model. This upgrade solidifies the **Revolution** as the unique solution to Pulsation Dampening in harsh or corrosive environments.

AVAILABLE MODELS

Air Control	Chargeable	Adjustable	Inlet Stabilizer
Bladder	Model	Model	Model
PVC	RC-10X-X50	RM-10X-X50	RJ-10X-X50
SANTOPRENE	RC-10X-W50	RM-10X-W50	RJ-10X-W50
NEOPRENE	RC-10X-N50	RM-10X-N50	RJ-10X-N50
BUNA	RC-10X-B50	RM-10X-B50	RJ-10X-B50
EPDM	RC-10X-E50	RM-10X-E50	RJ-10X-E50
HYPALON	RC-10X-H50	RM-10X-H50	RJ-10X-H50
SILICONE - FOOD GRADE	RC-10X-S50	RM-10X-S50	RJ-10X-S50
VITON	RC-10X-V50	RM-10X-V50	RJ-10X-V50
AFLAS	RC-10X-A50	RM-10X-A50	RJ-10X-A50
PTFE	RC-10X-T50	RM-10X-T50	RJ-10X-T50

For 3/8" (9.53mm) FNPT Inlet. Last two digits of model number change to 38.

TYPICAL PULSATION DAMPENER DIMENSIONS



601 Columbia Avenue, Bldg. D, Riverside, California 92507 USA
Call Us Toll Free: 800.603.7867
 Telephone: 951.342.3100 • Facsimile: 951.342.3101
 E-mail: sales@blacoh.com • Website: www.blacoh.com

Please call your local distributor: