

PONNDORF

PX & PX/2 series



PX series
single-channel
pump PX 15



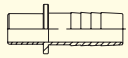
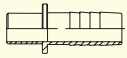
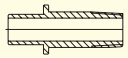
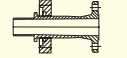
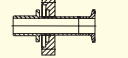
PX/2 series
dual-channel
pump PX 15/2

- Metering, transfer, self-priming, and low-pulsation models
- Easy maintenance—disassembly not required
- Rib-back hose for positive retention in pump and easy replacement without disassembly of the pump
- Dry running design provides long tubing life and prevents system contamination should the hose ever rupture
- Flow capacities are available up to 12.5 m³/hr (55 GPM) for single hose and up to 24.5 m³/hr (108 GPM) with our unique dual hose design
- Hose rib is positively captured in the tube bed and prevents the hose from side-to-side movement, which shortens hose life in other pump designs
- Pump are shipped complete with motor and fixed-speed drive systems ready to install and start
- Options include mechanical variable speed, variable-frequency, hazardous-area rated, washdown, chemical duty, air-operated, or bare-shaft pumps only

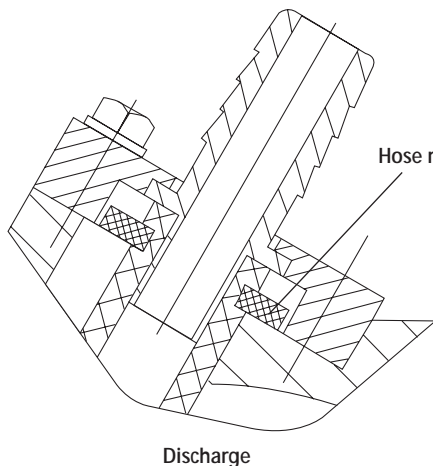
Specifications & Ordering Information

Catalog number	PX 10	PX 10/2	PX 15	PX 15/2	PX 27	PX 27/2	PX 35	PX 35/2	PX 50	PX 50/2
Normal capacity 165 rpm m ³ /hr (GPM)	0.15 (0.66)	0.25 (1.1)	0.5 (2.2)	0.95 (4.8)	2.2 (9.7)	5.0 (22)	6.0 (26)	11.5 (51)	12.5 (55)	24.5 (108)
Normal capacity 100 rpm m ³ /hr (GPM)	0.08 (0.40)	0.16 (0.7)	0.3 (1.3)	0.58 (2.5)	1.3 (5.7)	3.0 (13)	3.5 (15)	7.0 (31)	7.6 (33)	15 (66)
Hose ID, mm (in.)	10 (0.39)	10 (0.39)	15 (0.59)	15 (0.59)	27 (1.06)	27 (1.06)	35 (1.38)	35 (1.38)	50 (1.97)	50 (1.97)
Connection OD, mm (in.)	14 (0.55)	14 (0.55)	25 (0.98)	25 (0.98)	33 (1.30)	33 (1.30)	51 (2.0)	51 (2.0)	75 (2.95)	75 (2.95)
Max power, hp (kW)	1/2 (0.37)	1/2 (0.37)	1/2 (0.37)	3/4 (0.56)	1/2 (0.37)	1 1/2 (1.1)	2 (1.5)	5 (3.7)	3 (2.2)	5 (3.7)
Dimensions (L x W x H), mm (in.)	600 x 300 x 225 (23.62 x 11.81 x 8.84)		600 x 300 x 314 (23.62 x 11.81 x 12.36)		600 x 300 x 434 (23.62 x 11.81 x 17.09)		860 x 400 x 577 (33.86 x 15.75 x 22.72)		860 x 400 x 650 (33.86 x 15.75 x 25.59)	
Est. weight with motor lb (kg)	73 (33)	82 (37)	83 (38)	105 (48)	106 (48)	144 (68)	200 (91)	300 (136)	248 (113)	367 (167)
Construction materials										
Housing	Cast aluminum with epoxy coating									
Tube bed	PTFE									
Inlet/outlet fittings	Polypropylene (standard fittings); 316 SS (optional)									
Rollers	Carbon-filled PTFE									
Rotor	Cast aluminum									
Shaft	Stainless steel									
Bearings	Permanently sealed grease filled ball bearings									
Hose material options	Natural rubber, food-grade rubber, Neoprene, Hypalon									
Max rpm	165									
Max temperature (continuous)	60°C (140°F)									
Max temperature (intermittent)	80°C (176°F)									
Max pressure	2 bar (30 psig)									
Max suction height	7 m (23 ft)									
Max viscosity	35,000 cPs (160,000 SSU)									

The standard inlet and outlet connections provided are a barbed hose type. Optional inlet and outlet connections available include ANSI 150# flanges, sanitary Tri-Clamp® fittings, and NPT connections.

Pump series										
	Polypropylene		Stainless steel		Stainless steel		Stainless steel		Stainless steel	
	Hose ID (mm)	Cat. no.	Hose ID (mm)	Cat. no.	NPT	Cat. no.	Flange size*	Cat. no.	Tri-Clamp size	Cat. no.
PX 10 or PX 10/2	14.0	VA-61014	14.0	VA-61015	1/4"	VA-61016	1/2"	VA-61017	1/2"	VA-61016
PX 15 or PX 15/2	25.2	VA-61114	25.2	VA-61115	3/4"	VA-61116	3/4"	VA-61117	3/4"	VA-61016
PX 27 or PX 27/2	33.0	VA-61214	33.0	VA-61215	1"	VA-61216	1"	VA-61217	1"	VA-61016
PX 35 or PX 35/2	51.0	VA-61314	51.0	VA-61315	1 1/2"	VA-61316	1 1/2"	VA-61317	1 1/2"	VA-61016
PX 50 or PX 50/2	75.5	VA-61414	75.5	VA-61415	2"	VA-61416	2"	VA-61417	2"	VA-61016

*ANSI 150# flange



Unique flanged and ribbed hose improves retention and positively holds hose in pump

