

PONNDORF

PK series

- Flow capacities up to 32 m³/hr (140 GPM)—easily develop a discharge pressure up to 15 bar (220 psig)
- Multiple hose materials provide compatibility in a wide range of pump applications
- Reinforced high-pressure hoses
- Sliding shoe technology combined with a lubricated bath provides a simple, reliable pump mechanism with proven long hose life in continuous operation
- Adjustable sliding shoes optimize hose compression for long hose life
- Easy hose replacement without disassembly of the pump
- Hose connectors are uniquely designed to eliminate multiple parts, yet provide a positive seal capable of holding the maximum pressure ratings
- Pumps are shipped complete with motor and fixed-speed drive systems ready to install and start
- Optional drives include mechanical variable speed and inverter variable, or base-shaft pumps only

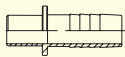
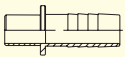
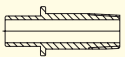
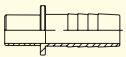
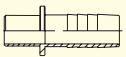


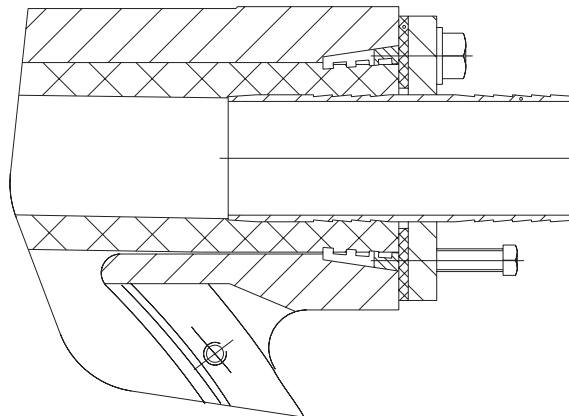
PK series pump

Specifications & Ordering Information

Catalog number	PK15	PK25	PK40	PK50	PK65
Normal capacity 90 rpm m ³ /hr (GPM)	0.7 (3)	2.1 (9.2)	7.7 (33.9)	15.5 (68)	32 (140)
Normal capacity 60 rpm m ³ /hr (GPM)	0.25 (1)	1.4 (6.2)	5.1 (22.6)	10.3 (45)	22 (97)
Hose ID, mm	15	25	40	50	65
Connection OD, mm	25	31	51	61	67
Max power, hp (kW)	3/4 (0.56)	3 (2.2)	5 (3)	3/4 (0.56)	15 (11.2)
Dimensions (L x W x H), mm (in)	712 x 155 x 347 (28.0 x 6.10 x 13.7)	973 x 194 x 475 (38.3 x 7.64 x 18.7)	1121 x 300 x 758 (44.1 x 11.8 x 29.8)	1234 x 300 x 842 (48.6 x 11.8 x 33.1)	1472 x 466 x 1040 (58.0 x 18.3 x 40.9)
Hose material options	Natural rubber, NBR, white, food grade, EPDM				
Construction materials					
Housing	Cast aluminum				
Tube bed	PTFE				
Inlet/outlet fittings	Polypropylene (standard fittings); 316 SS (optional)				
Rollers	Carbon-filled PTFE				
Rotor	Cast aluminum				
Shaft	Stainless steel				
Bearings	Permanently sealed grease filled ball bearings				
Max rpm	90				
Max temperature (continuous)	60°C (140°F)				
Max temperature (intermittent)	80°C (176°F)				
Max pressure	15 bar (220 psig)				
Max suction height	8 m (26 ft)				
Max viscosity	35,000 cPs (160,000 ssu)				

The standard inlet and outlet connections provided are a barbed hose type. Optional inlet and outlet connections available include ANSI 150# flanges, Sanitary Tri-Clamp® fittings, and NPT connections.

Pump series										
	Polypropylene		Stainless steel		Stainless steel		Stainless steel		Stainless steel	
	Hose ID (mm)	Cat. no.	Hose ID (mm)	Cat. no.	NPT	Cat. no.	Flange size	Cat. no.	Tri-Clamp size	Cat. no.
PK 15	—	—	20.0	VA-62516	1/2"	VA-62533	1/2"	VA-62532	3/4"	VA-62523
PK 25	—	—	31.0	VA-62616	3/4"	VA-62630	1"	VA-62629	1"	VA-62617
PK 40	—	—	51.0	VA-62716	1"	VA-62732	1 1/2"	VA-62731	1 1/2"	VA-62717
PK 50	—	—	61.0	VA-62816	1 1/2"	VA-62821	2"	VA-62823	2"	VA-62817
PK 65	—	—	67.0	VA-62916	2"	VA-62928	2 1/2"	VA-62927	2 1/2"	VA-62914



Unique compression ring positively holds hose in place and provides full circumference sealing to hold pressure up to 15 bar (220 psig)