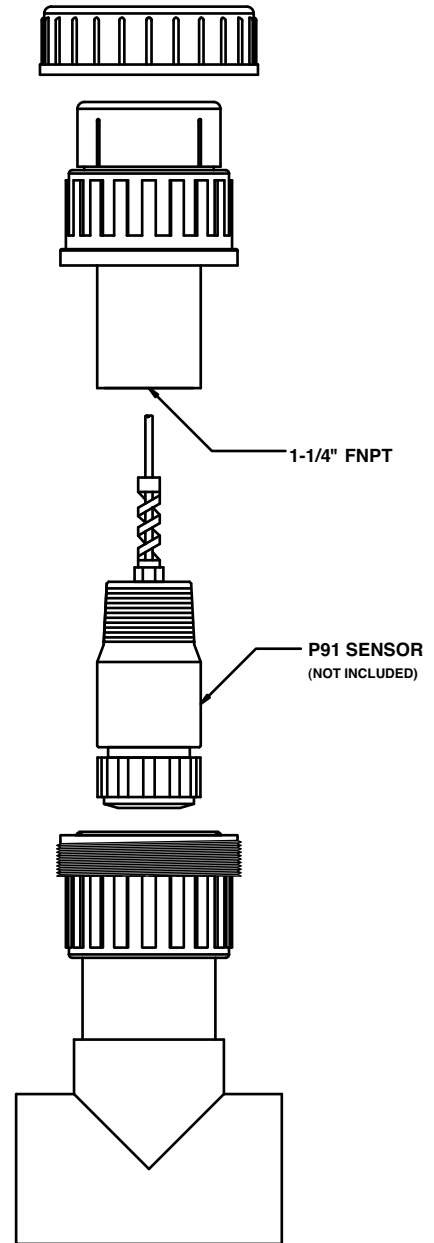
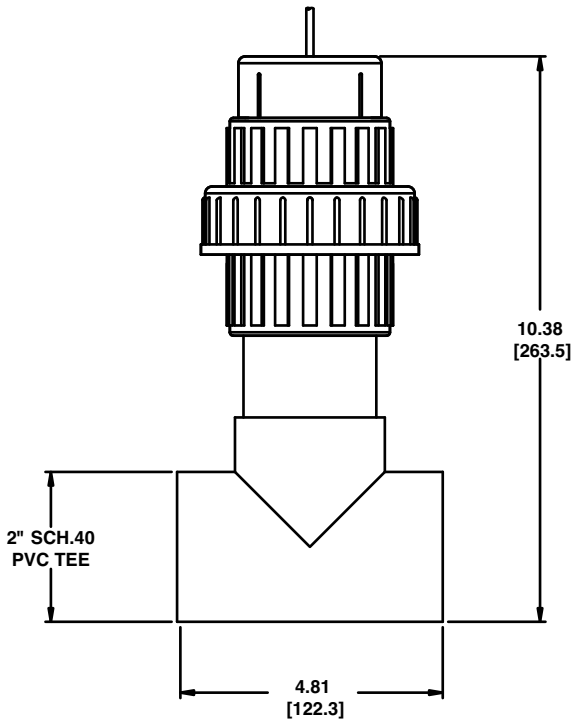




Model FTA-2 D.O. Flow Through Assembly

SPECIFICATIONS:
WETTED MATERIALS (FTA2 ONLY): PVC, VITON
PRESSURE LIMIT: 25PSI
TEMPERATURE LIMIT: 0-40°C



AquaMetrix Inc.
www.aquametrix.com
1-800-742-1413

