



## **Features**

---

- Accurate at low flows
- Simple and durable
- Compatible with a variety of chemicals
- Visual flow monitoring
- Inexpensive
- Six blade impeller
- For small pipe sizes (3/8" to 1")

## **Applications**

---

- Low flow monitoring
- Chemical batching and mixing
- Proportional chemical injection
- Fertilizer injection
- Irrigation
- Process cooling systems
- Neutralization systems
- Process flow control
- Filtration systems

## **Description**

---

These versatile impeller flowmeters are available in 3/8", 1/2", 3/4", and 1" nominal pipe sizes with female NPT threads (SAE optional). They employ jewel bearings to allow for very low minimum flow rates and superior life.

With a body material of polypropylene, the SPX is an economical choice for metering water or low corrosion fluids. The lens cover is available in a choice of materials: acrylic for visual flow indication of low-corrosion fluids; polypropylene when more corrosion resistance is needed. The standard rotor assembly is Kynar with tungsten carbide shaft (ceramic shaft optional). The O-ring is EPDM.

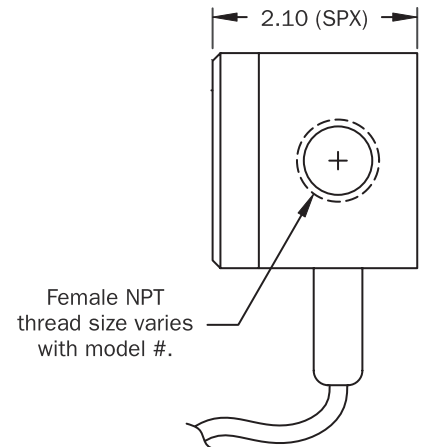
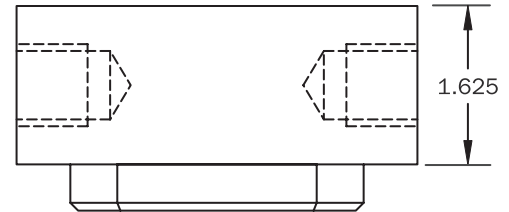
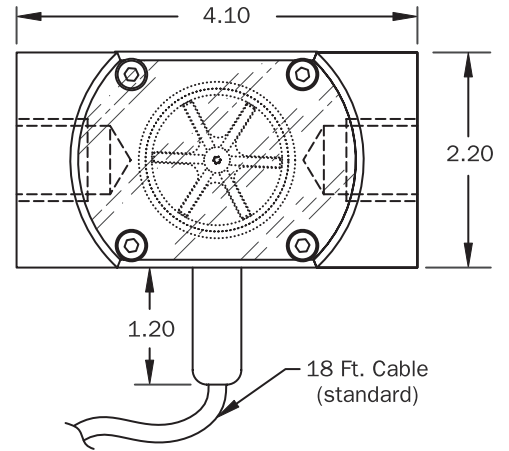
The pulse output of the SPX meter is compatible with many different types of controls, including a range of AquaMetrix displays and controls. For rate and total display, the Shark-120/240 controller or SharkTX(P) transmitter (loop powered) models are compatible with the SPX series sensors. They can be mounted in either surface, pipe or panel configurations.

# Model SPX Series Low Flow Sensors

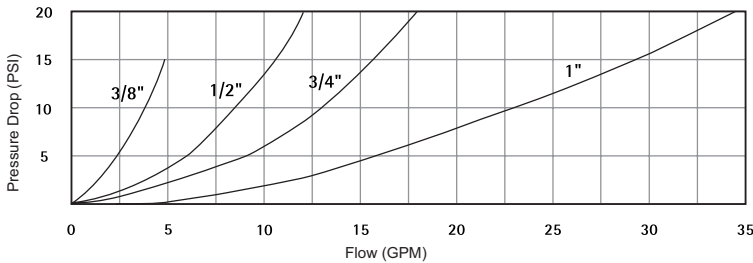
## Technical Data

<b>Connections</b>	3/8", 1/2", 3/4", 1" Female NPT thread (SAE thread optional)
<b>Materials</b>	
Body	Polypropylene
Cover	Acrylic (polypro optional)
Rotor	PVDF (kynar)
Shaft	Nickel tungsten carbide (zirconia ceramic optional)
Bearings	Ruby ring and ball
O-Ring	EPDM (kalrez or teflon-coated Viton optional)
Maximum Temperature	160° F (70° C)
Maximum Pressure	150 PSI (10 bar)
Accuracy	± 1% of full scale
Sensor Cable	18 feet (6m) standard
Max cable run	2000 ft. (650 m)
Power	5-24 VDC, 2 mA min
Outputs	Current sinking pulse, 6-24 VDC

## Dimensions



## Pressure Drop Curves



## Flow Rates

Model #	*K-Factor (pulses/Gal)	Gal/Min	Liter/Min
-038	1417	0.07-5	0.27-18.9
-050	658	0.1-10	0.38-37.9
-075	468	0.2-20	0.75-75
-100	254	0.5-40	1.9-150

\* Nominal K-factors (based on averages) for standard 2-magnet SPX. High resolution (6-magnet) K-factors are approximately tripled.

## Related Products

- IP80/81 Series Impeller Flow Sensor
- IP100/200 Series Impeller Flow Sensor

## Ordering Information

SPX - Low Flow Sensor

- 038 3/8" NPT
- 050 1/2" NPT
- 075 3/4" NPT
- 100 1" NPT

SPX —