



With AM-FCL-FC flow cell    AM-FCL-FM flow meter

### Features

- Loop powered 4-20 mA output
- Compact design
- Combines with 4-20 mA pH probe for pH compensation
  - Automatic temperature compensation
- Optional flow cell and flow meter insures constant pressure for accurate measurement
- Inexpensive replaceable membrane and electrolyte

### Applications

- Drinking water disinfection
- Wastewater disinfection
- Chlorine generator
- Swimming pools and spas

### Description

The AM-FCL is a very compact free chlorine sensor. It operates on membrane-based amperometric technology, which provides the most trouble-free operation of all reagent-free methods. The sensor outputs a direct 4-20 mA signal so there is no need for a separate transmitter. The signal is temperature compensated. Simply insert the probe's two wires into your 4-20 loop and you're good to go. Combine the output of the AM-FCL with that of an Aquametrix 4-20 mA output probe and your PLC can be easily programmed to perform automatic pH compensation.

Maintaining constant pressure on the membrane is essential for accurate reading. The optional flow cell maintains the pressure and another optional flow meter insures a tighter tolerance.

The sensor is available in three ranges: 0 to 2 ppm, 0 to 5 ppm and 0 to 10 ppm.

## Model AM-FCL Free Chlorine Sensor Technical Data

**Wetted Materials - PVC**

**Measuring Range**

AM-FCL-5: 0 - 5 ppm

AM-FCL-10: 0 - 10 ppm

**Temperature Compensation**

Pt 100 RTD

**Operating Temperature Range**

0 to 45°C

**Maximum Pressure**

14.7 psi at 40°C

**Flow Range**

0.1 to 0.4 gpm (30 l/min)

**Supply Voltage**

12-24 VDC, 250 mA minimum

**Cross Sensitivity**

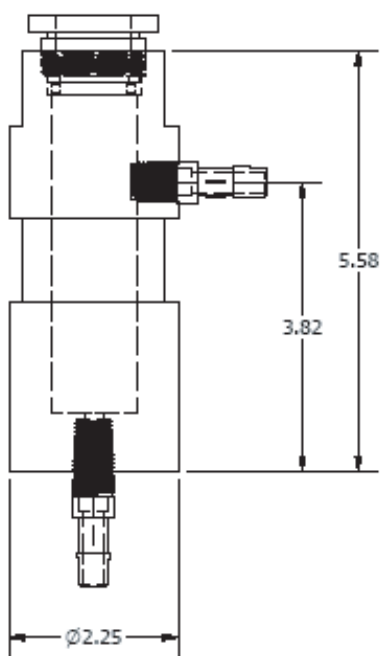
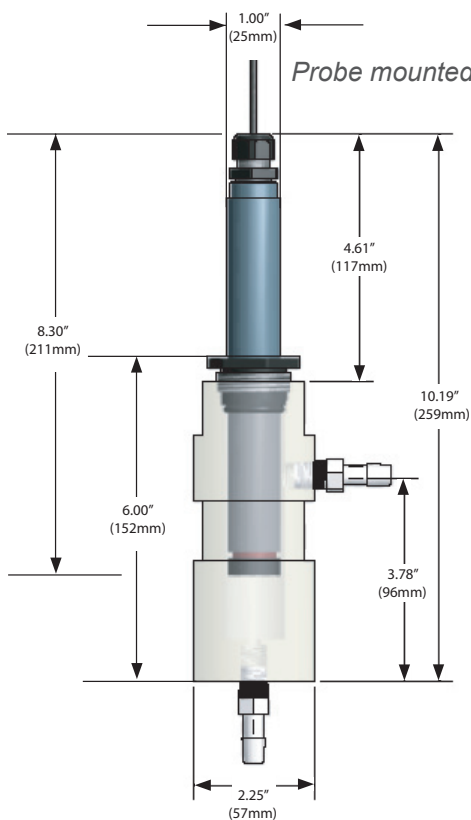
**Maximum Flow Rate**

Ozone, monochloramine

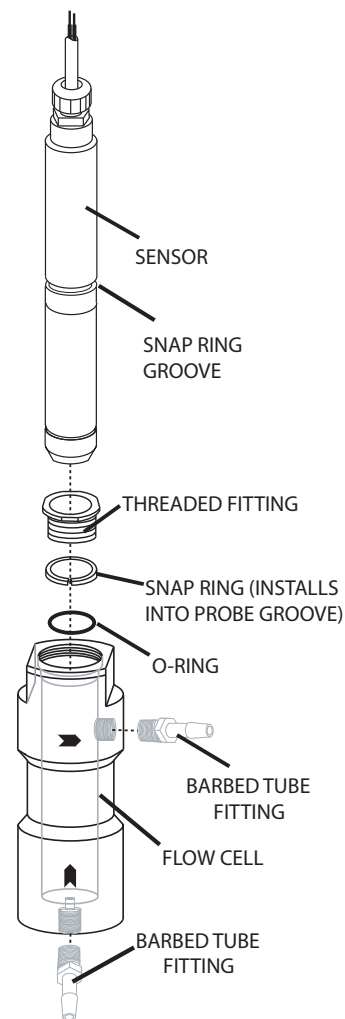
**Chemical Compatibility**

Up to 50% Ethanol/water or Glycerol/water  
Process Connection

## Dimensions



AM-FCL-FC flow cell



## Order Information

Model	Cl range
AM-FCL-2	0 to 2 ppm
AM-FCL-5	0 to 5 ppm
AM-FCL-10	0 to 10 ppm

	Options
AM-FCL-FC	Flow Cell
AM-FCL-FM	Flow Meter

	Replacement Parts
AM-FCL-FL	Fill Solution, 30 mm
AM-FCL-M2	Replacement Membrane, > 5 ppm
AM-FCL-M5	Replacement Membrane, 2 ppm

## Related Products

P65C-X (X=5,6,7,8) Series of pH Differential Probes with 4-20 mA direct output