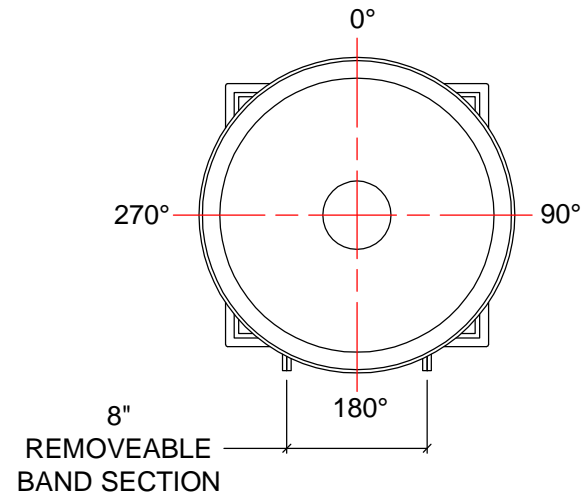
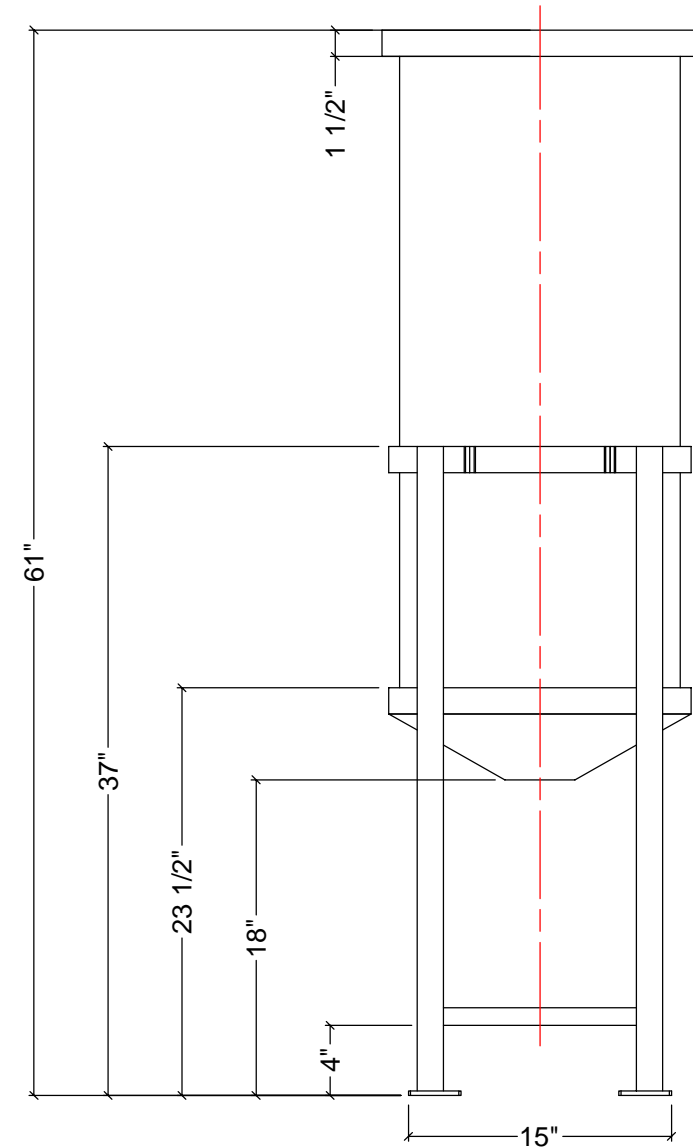


TOP VIEW

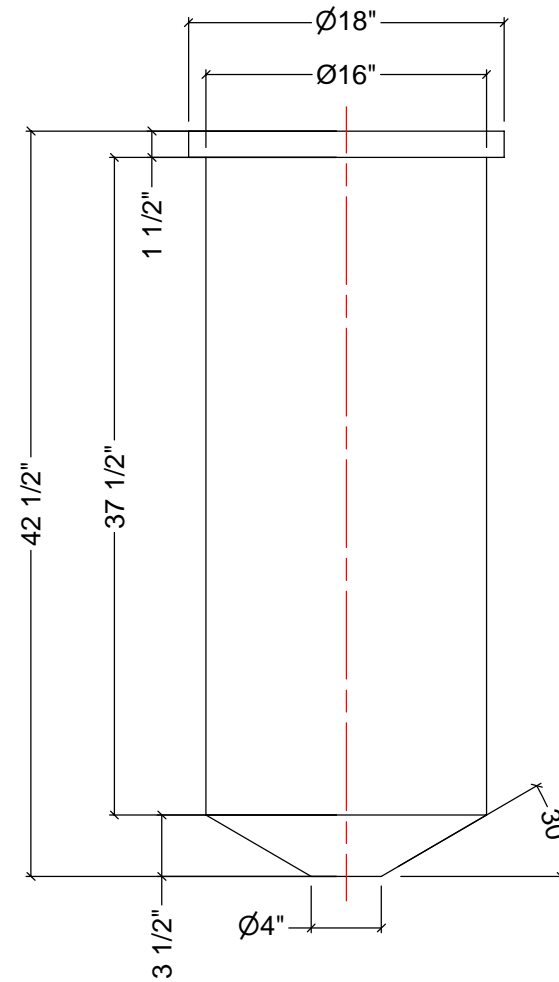


NOTES:

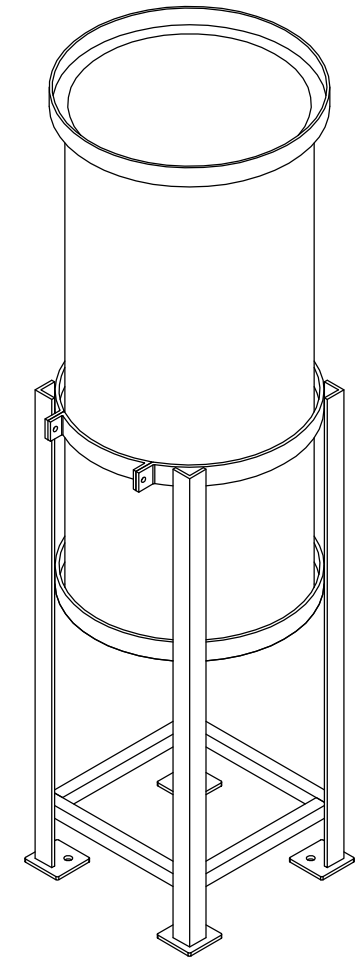
1. TANK IS MANUFACTURED TO ASTM-D-1998 STANDARD.
2. ALL DIMENSIONS ARE APPROXIMATE.



FRONT VIEW



SIDE VIEW



MATERIALS LIST

| ITEMS | DESCRIPTION            | NOTES |
|-------|------------------------|-------|
| A     | CBO-30 TANK            |       |
| B     | STEEL STAND FOR CBO-30 |       |
|       |                        |       |
|       |                        |       |
|       |                        |       |
|       |                        |       |

| REV   | DATE | DESCRIPTION   | BY  | APPD     | REVD     |   |
|---|------|---|---|----------|----------|---|
| REVISIONS   |      |   |   |          |          |   |
| CUSTOMER  |      |   |   |          |          |   |
| TITLE<br>CBO-30 WITH STEEL STAND  |      |   | ACO JOB NO:<br>PURCHASE ORDER NO:<br>PURCHASER'S EQUIP. NO: |          |          |   |
| THIS DRAWING IS THE PROPERTY OF ACO CONTAINER SYSTEMS LTD. AND SHALL NOT BE COPIED OR TRANSFERRED WITHOUT THE WRITTEN CONSENT OF ACO CONTAINER SYSTEMS LTD. |      |   |   |          |          |   |
| ENGINEERS SEAL  |      | <b>ACO CONTAINER SYSTEMS LTD.</b>   |   |          |          |   |
|   |      | PICKERING - ONTARIO - CANADA<br>ACO CONTAINER SYSTEMS LTD.<br>794 MCKAY RD.<br>PICKERING, ONTARIO, CANADA<br>L1W 2Y4<br>TEL. 905-683-8222<br>FAX 905-683-2969 |   | DESIGNED | WM       |   |
|   |      |   |   | DRAWN    |          |   |
|   |      |   |   | CHECKED  |          |   |
|   |      |   |   | APPROVED |          |   |
|   |      |   |   | SCALE    | N.T.S.   |   |
|   |      |   |   | DATE     | 02-04-09 |   |
|   |      | DWG No CBO-30   |   |          | REV      | 0 |