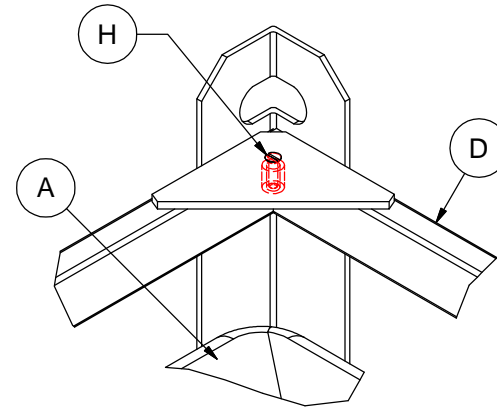
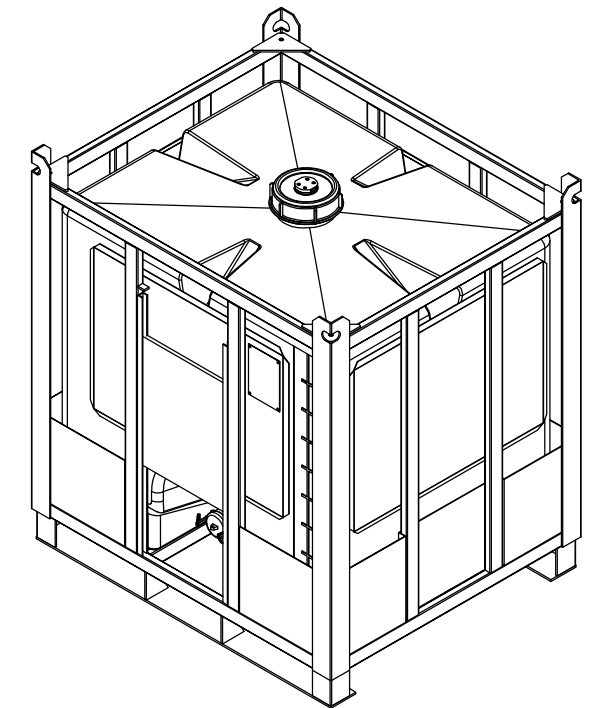


- NOTES:
1. CAPACITY: 200 IMP GAL (910 L)
 2. TARE WEIGHT: 547 LBS (248 KG)
 3. PRIMARY MARKINGS: U.N. 31HA1/Y/

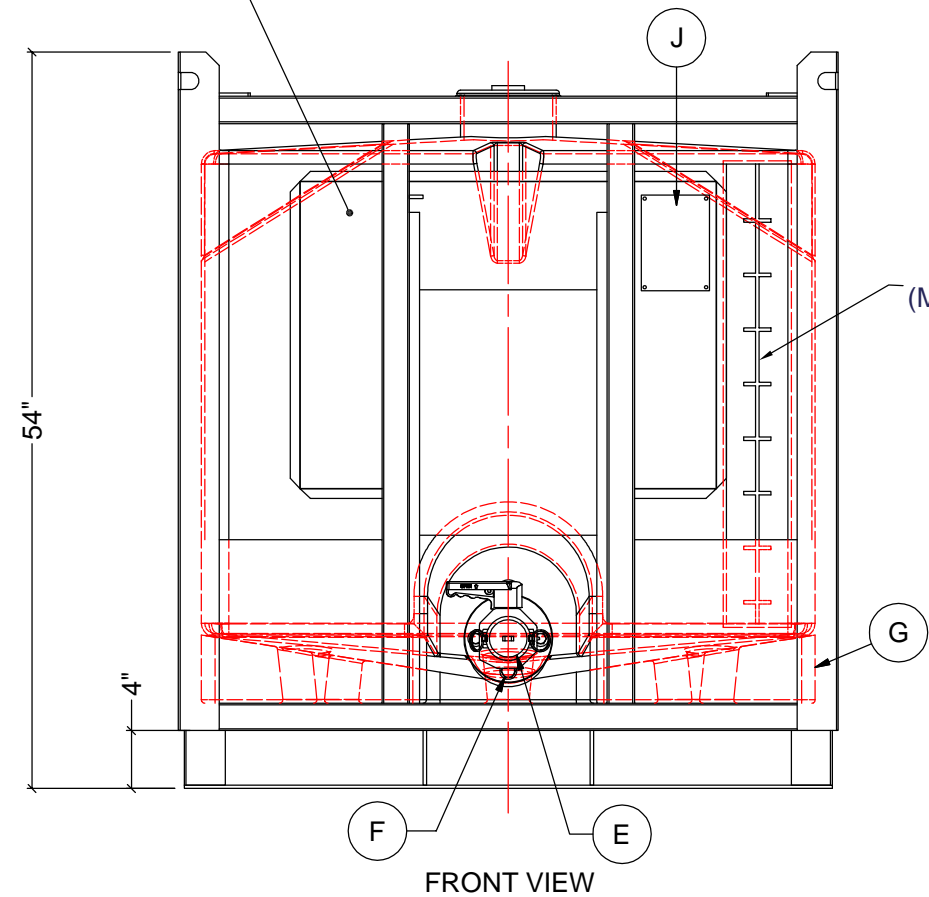
STACKING BRACKET DETAIL (H)



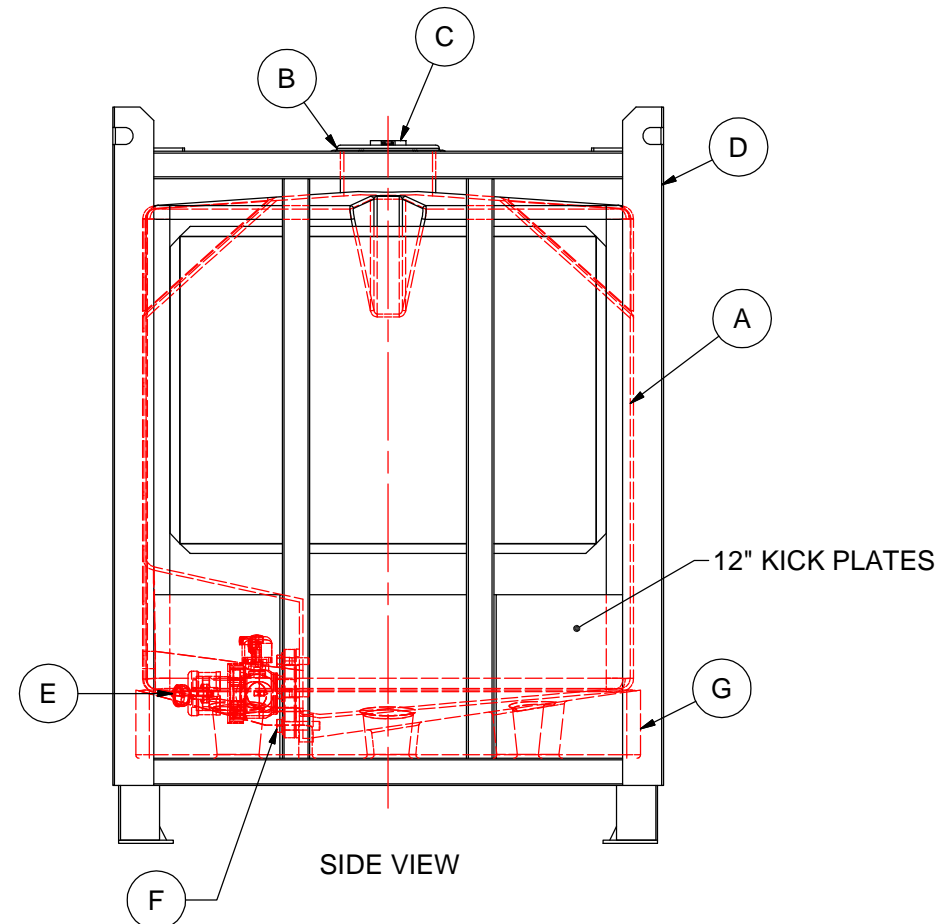
MATERIALS LIST		
ITEM	DESCRIPTION	NOTES
A	PTC-200 HDPE BOTTLE	
B	6" ORANGE HDPE THREADED LID WITH GASKET (EPDM OR VITON) AND TIE DOWN	
C	2" COMBI-VENT - VACUUM AND PRESSURE RELEIF (OPTIONAL)	IN LID
D	STEEL FRAME WITH 12" KICKPLATES AND VALVE PROTECTION GATE	
E	2" BALL VALVE (POLYPRO OR STAINLESS STEEL) WITH GASKET (EPDM OR VITON)	FNPT OR CAMLOC
F	VALVE MOUNTING HARDWARE KIT	
G	BLACK POLY FRAME PILLOW	
H	FRAME CORNER STACKING BRACKET WITH SCREW	4 PLACES
J	ALUMINUM U.N. FRAME TAG	



INNER SUPPORT PLATE



GRADUATIONS (MOLDED IN BOTTLE)



REV	DATE	DESCRIPTION	BY	APPD	REVD
REVISIONS					
CUSTOMER					
TITLE PTC-200 WITH 12" KICK PLATES			ACO JOB NO: PURCHASE ORDER NO: PURCHASER'S EQUIP. NO:		
THIS DRAWING IS THE PROPERTY OF ACO CONTAINER SYSTEMS LTD. AND SHALL NOT BE COPIED OR TRANSFERRED WITHOUT THE WRITTEN CONSENT OF ACO CONTAINER SYSTEMS LTD.					
ENGINEERS SEAL			ACO CONTAINER SYSTEMS LTD. <small>PICKERING - ONTARIO - CANADA</small> 794 MCKAY RD. PICKERING, ONTARIO, CANADA L1W 2Y4 TEL. 905-683-8222 FAX 905-683-2969		
<small>DESIGNED</small> <small>DRAWN</small> <small>CHECKED</small> <small>APPROVED</small> <small>SCALE</small> <small>DATE</small>					
<small>DWG No</small> PTC-200			<small>DATE</small> 15-10-09		<small>REV</small> 0