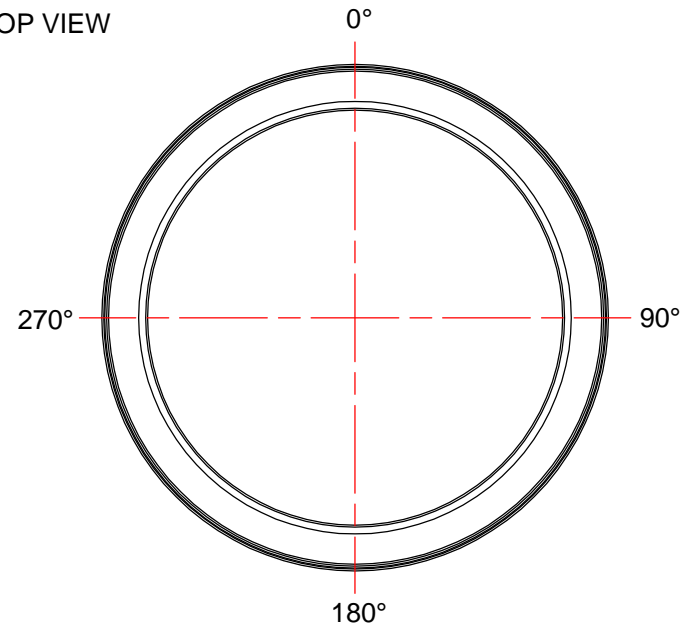


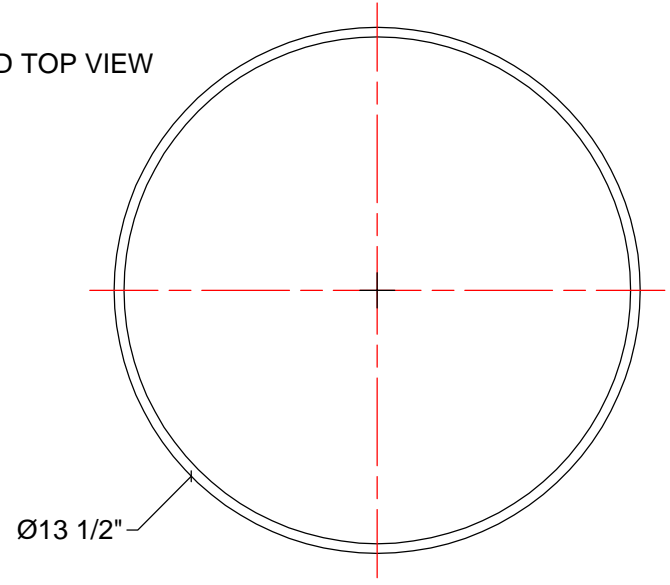
TOP VIEW



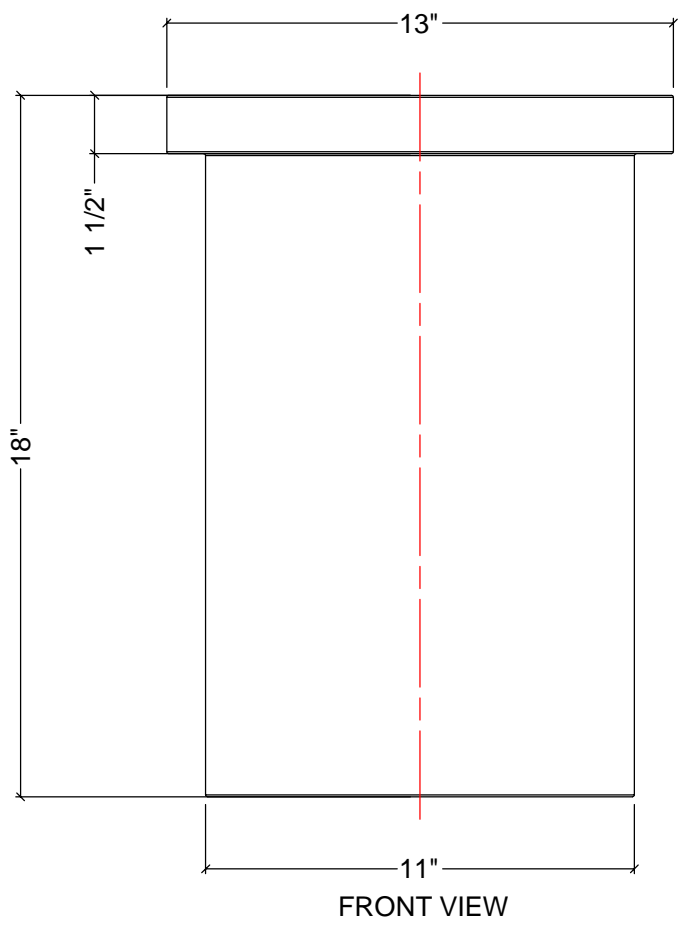
NOTES:

- 1. TANK IS MANUFACTURED TO ASTM-D-1998 STANDARD.
- 2. ALL DIMENSIONS ARE APPROXIMATE.

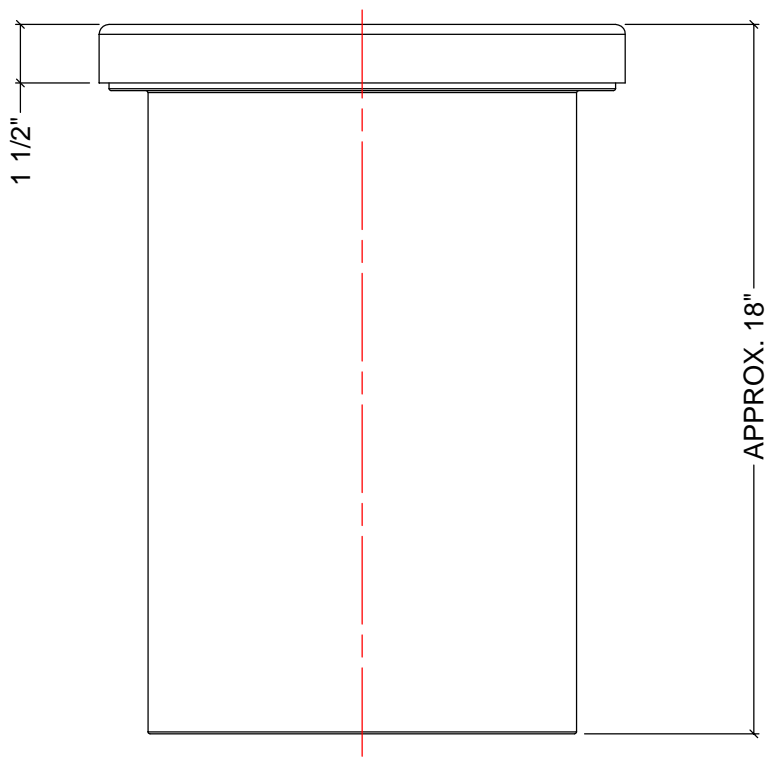
LID TOP VIEW



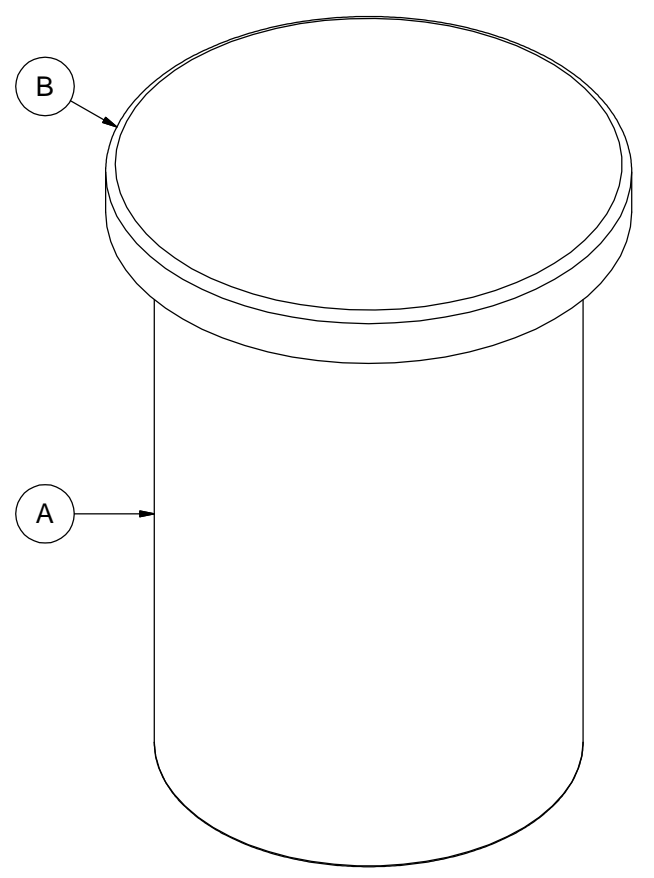
MATERIALS LIST		
ITEMS	DESCRIPTION	NOTES
A	OT-5 OPEN TOP TANK	
B	LID FOR OT-5	



FRONT VIEW



SIDE VIEW WITH LID



REV	DATE	DESCRIPTION	BY	APPD	REVD
REVISIONS					

CUSTOMER

TITLE: 5 I.G. OPEN TOP TANK WITH LID

ACO JOB NO:

PURCHASE ORDER NO:

PURCHASER'S EQUIP. NO:

THIS DRAWING IS THE PROPERTY OF ACO CONTAINER SYSTEMS LTD. AND SHALL NOT BE COPIED OR TRANSFERRED WITHOUT THE WRITTEN CONSENT OF ACO CONTAINER SYSTEMS LTD.

ENGINEERS SEAL		ACO CONTAINER SYSTEMS LTD.	
PICKERING - ONTARIO - CANADA		DESIGNED	
ACO CONTAINER SYSTEMS LTD.		DRAWN	WM
794 MCKAY RD.		CHECKED	
PICKERING, ONTARIO, CANADA		APPROVED	
L1W 2Y4		SCALE	N.T.S.
TEL. 905-683-8222		DATE	27-05-09
FAX 905-683-2969		DWG No	OT-5-L
		REV	0