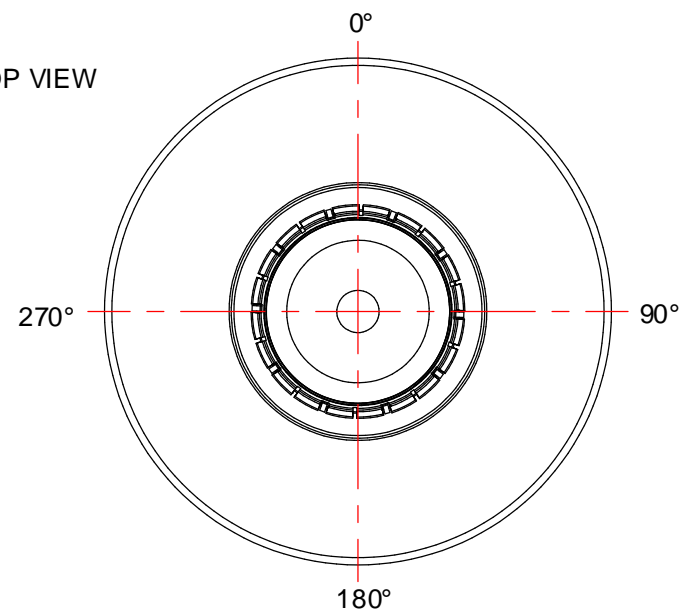


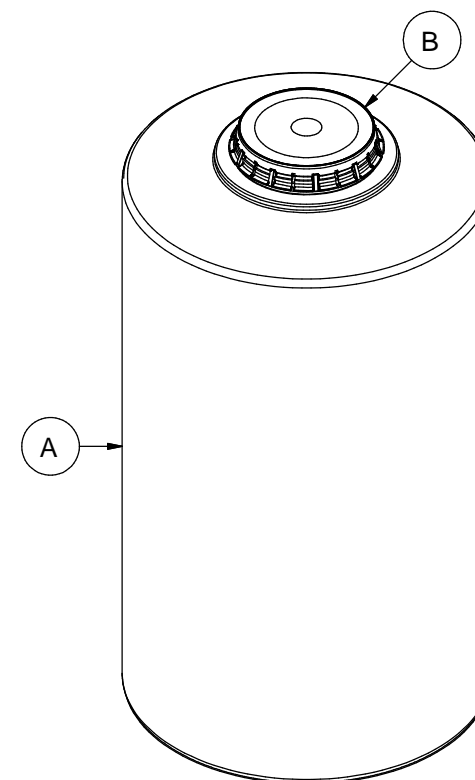
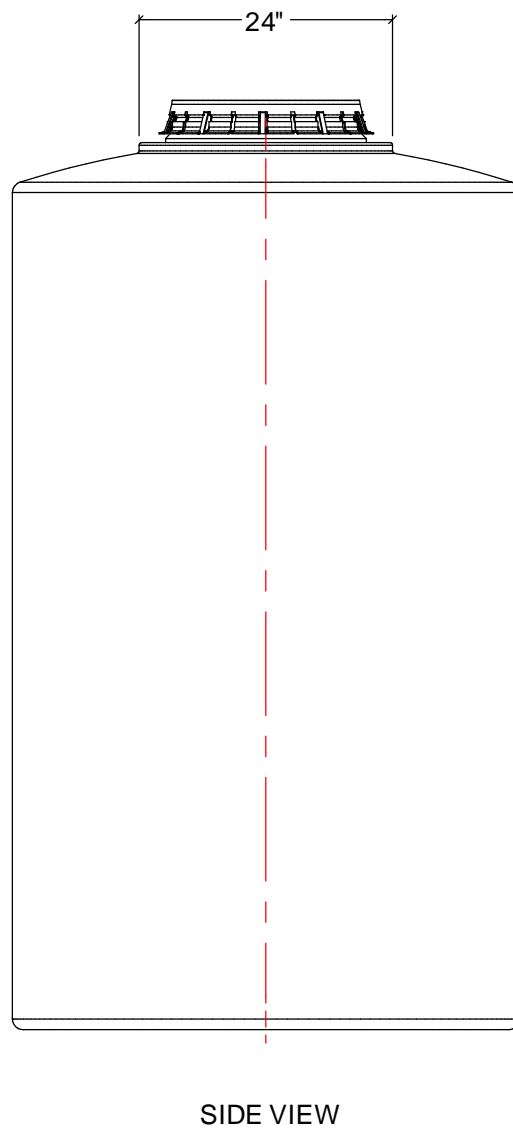
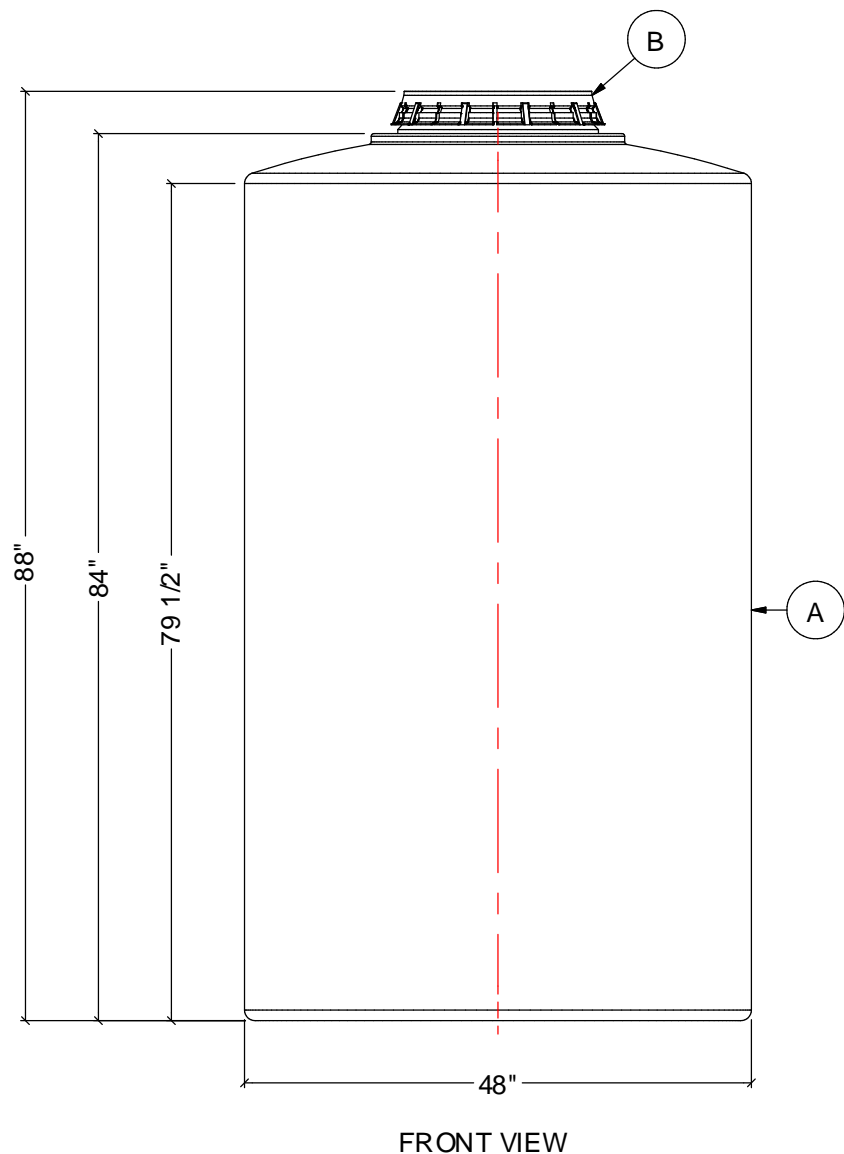
TOP VIEW



NOTES:

- 1. TANK IS MANUFACTURED TO ASTM-D-1998 STANDARD.
- 2. ALL DIMENSIONS ARE APPROXIMATE.

MATERIALS LIST		
ITEMS	DESCRIPTION	NOTES
A	CT-450-DT TANK	
B	16" LID WITH LOCKING STRAP	



REV	DATE	DESCRIPTION	BY	APPD	REVD
REVISIONS					
CUSTOMER					
TITLE		ACO JOB NO:			
450 I.G. CLOSED TOP TANK		PURCHASE ORDER NO:			
		PURCHASER'S EQUIP. NO:			
THIS DRAWING IS THE PROPERTY OF ACO CONTAINER SYSTEMS LTD. AND SHALL NOT BE COPIED OR TRANSFERRED WITHOUT THE WRITTEN CONSENT OF ACO CONTAINER SYSTEMS LTD.					
ENGINEERS SEAL		<b>ACO CONTAINER SYSTEMS LTD.</b>			
		<small>PICKERING - ONTARIO - CANADA</small>			
		<small>ACO CONTAINER SYSTEMS LTD.</small>		<small>DESIGNED</small>	
		<small>794 MCKAY RD.</small>		<small>DRAWN</small> WM	
		<small>PICKERING, ONTARIO, CANADA</small>		<small>CHECKED</small>	
		<small>L1W 2Y4</small>		<small>APPROVED</small>	
		<small>TEL. 905-683-8222</small>		<small>SCALE</small> N.T.S.	
		<small>FAX 905-683-2969</small>		<small>DATE</small> 10-12-09	
<small>DWG No</small>		<b>CT-450-DT</b>			<small>REV</small> 0