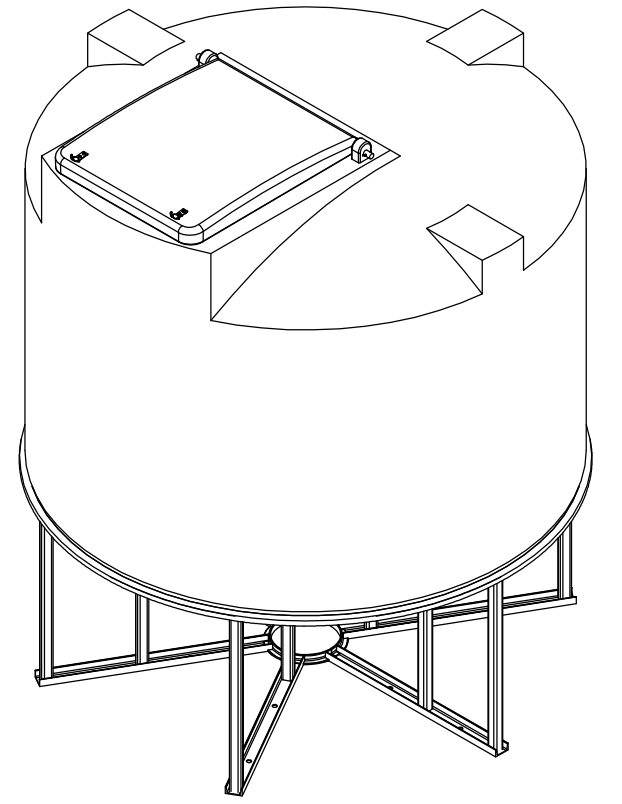
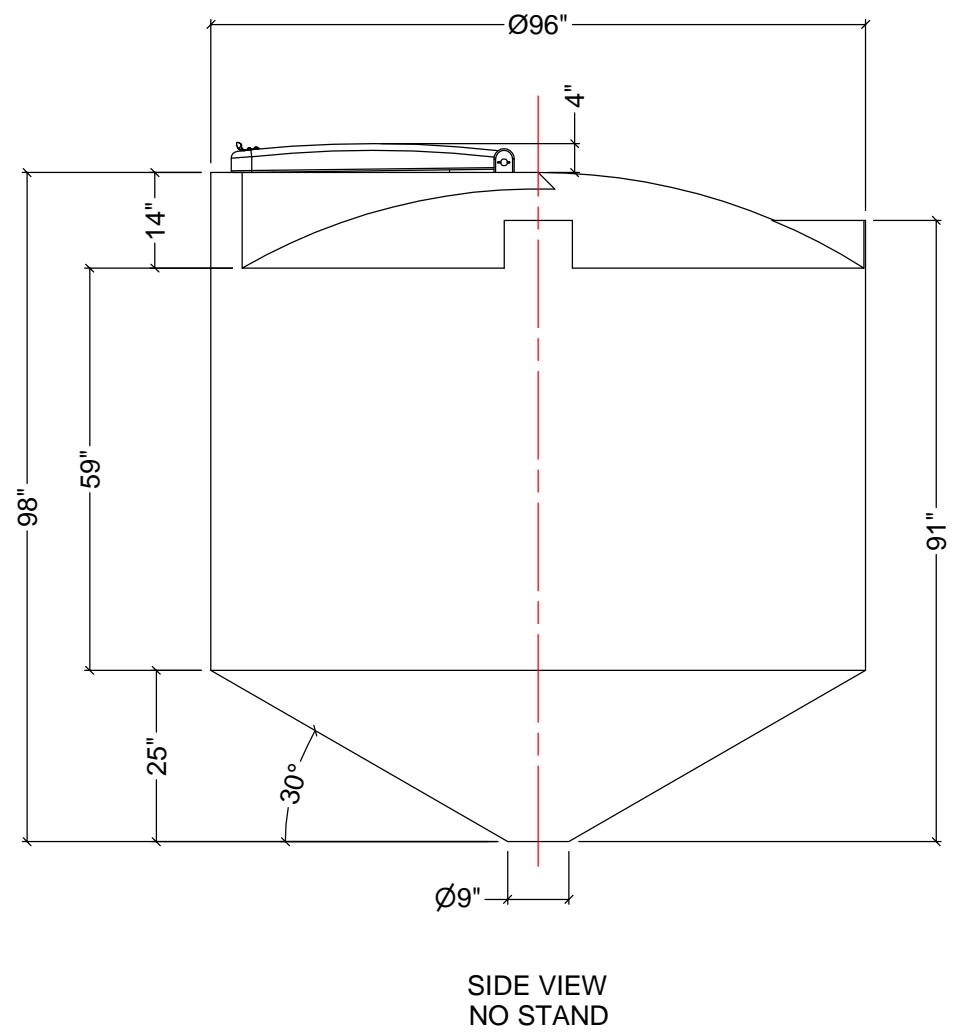
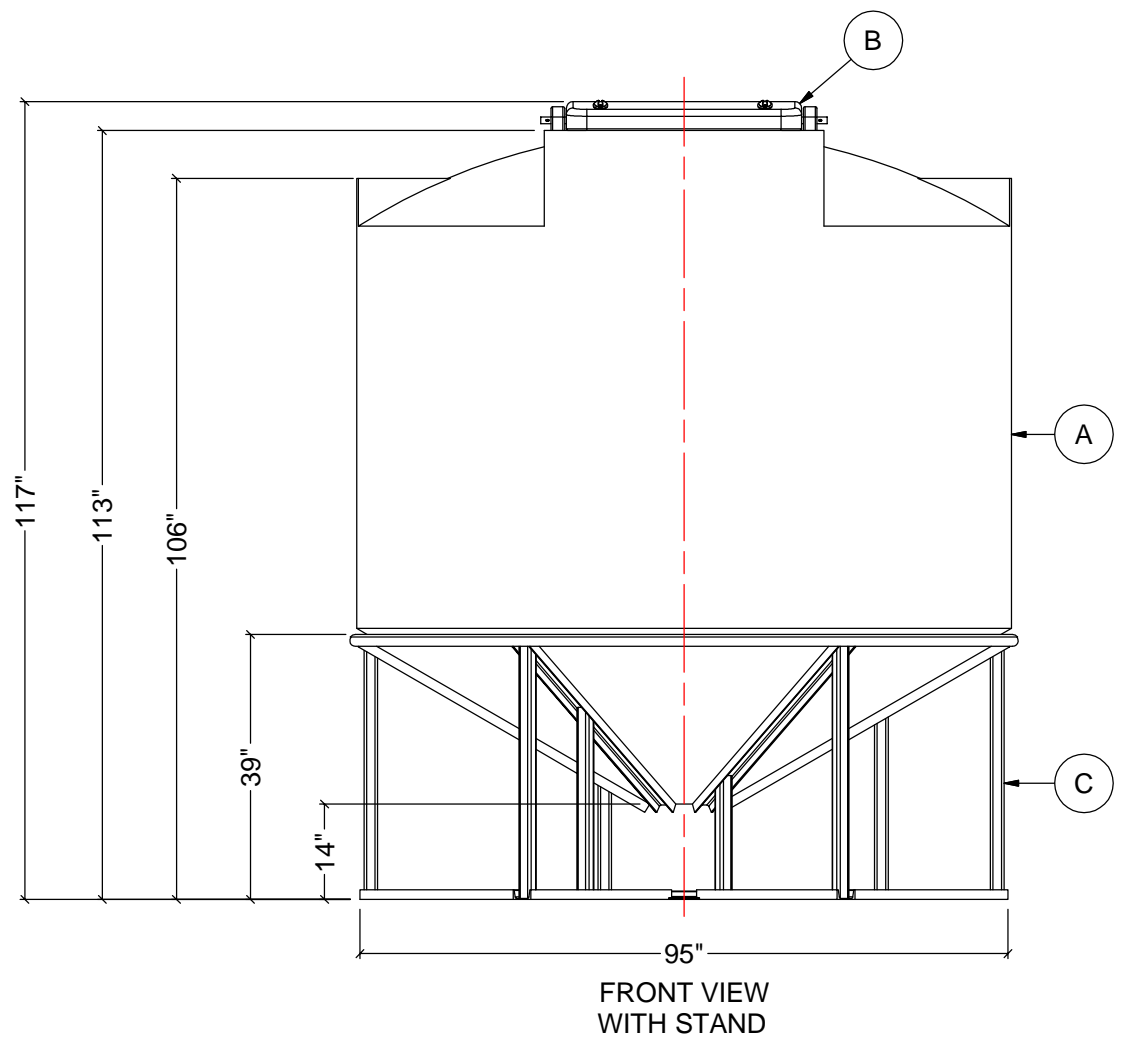


NOTES:  
 1. TANK IS MANUFACTURED FROM HDPE. (1.5 SG)  
 2. TANK IS MANUFACTURED TO ASTM-D-1998 STANDARD.

| MATERIALS LIST |                          |       |
|----------------|--------------------------|-------|
| ITEMS          | DESCRIPTION              | NOTES |
| A              | CBC-1800 TANK            |       |
| B              | 24" HDPE HINGED MAN WAY  |       |
| C              | STEEL STAND FOR CBC-1800 |       |
|                |                          |       |
|                |                          |       |
|                |                          |       |
|                |                          |       |
|                |                          |       |



| REV   | DATE | DESCRIPTION                       | BY  | APPD | REVD     |
|---|------|-----------------------------------|---|------|----------|
| REVISIONS   |      |                                   |   |      |          |
| CUSTOMER  |      |                                   |   |      |          |
| TITLE<br>CBC-1800 WITH STEEL STAND  |      |                                   | ACO JOB NO:<br>PURCHASE ORDER NO:<br>PURCHASER'S EQUIP. NO: |      |          |
| THIS DRAWING IS THE PROPERTY OF ACO CONTAINER SYSTEMS LTD. AND SHALL NOT BE COPIED OR TRANSFERRED WITHOUT THE WRITTEN CONSENT OF ACO CONTAINER SYSTEMS LTD.   |      |                                   |   |      |          |
| ENGINEERS SEAL  |      | <b>ACO CONTAINER SYSTEMS LTD.</b> |   |      |          |
| PICKERING - ONTARIO - CANADA<br>ACO CONTAINER SYSTEMS LTD.<br>794 MCKAY RD.<br>PICKERING, ONTARIO, CANADA<br>L1W 2Y4<br>TEL. 905-683-8222<br>FAX 905-683-2969 |      | DESIGNED                          |   |      |          |
|   |      | DRAWN                             |   |      | WM       |
|   |      | CHECKED                           |   |      |          |
|   |      | APPROVED                          |   |      |          |
|   |      | SCALE                             |   |      | N.T.S.   |
|   |      | DATE                              |   |      | 30-03-09 |
| DWG No  |      | CBC-1800                          |   |      | REV 0    |