



OBERDORFER PUMPS

A Subsidiary of Thomas Industries Inc.



Oberdorfer offers a fine line of quality Chemsteel pumps designed to handle common and highly corrosive liquids that must be pumped under pressure. Manufactured to extremely precise tolerance, the Chemsteel pump line prevents system contamination while maintaining the purity and integrity of the liquid being pumped.

Its rugged, three-section, thru-bolt construction provides ease of servicing and parts replacement.

FEATURES

- n Positive Displacement
- n Self-priming
- n Can operate within the entire pH range
- n Pressures to 150 p.s.i.
- n Handles liquid viscosities to 50,000 SSU
- n Temperatures to 400° F

MATERIALS OF CONSTRUCTION

Housings	Precision investment castings of 316 stainless steel or Hastelloy C(R)*.
Gears	Precision machined metallic gears of 316 SS, W88 Stainless and Hastelloy C*. Also available in glass-reinforced Teflon (R)* and Ryton(R)*.
Bearings	Carbon sleeve bearings for maximum chemical resistance and high load capacity function as thrust flanges and wear plates; Teflon(R)* plastic bearings available for product purity.
Seals	Mechanical type of ceramic and carbon, or packing type (Teflon(R)* or Grafoil(R)* ring).
Shafts	316 stainless steel or Hastelloy C(R)*.
Gaskets	Teflon (R)* gaskets for positive sealing, independent of internal pump clearances.

Type 316 - An all purpose austenitic stainless, excellent corrosion resistance; premium choice of all 300 series stainless alloys.

Type W88 - A non-galling stainless alloy for "gear on gear" applications, created by alloying special rare and select materials.

Hastelloy C(R)* - Most used of exotic high nickel alloys. Superior corrosion resistance for commercial and reagent grades of hydrochloric and sulfuric acids and other severe alkaline and acidic pumping applications.

SIGNIFICANT NUMBERING SYSTEM

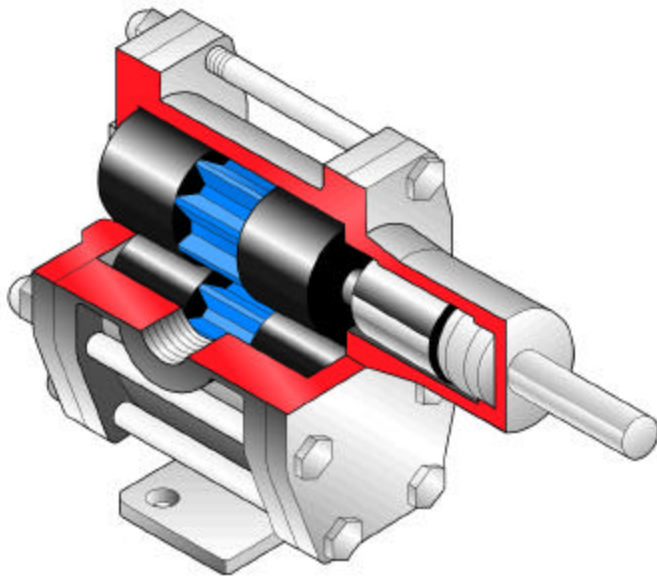
Code Position 1		Code Position 2		Code Position 3			Code Position 4				Code Position 5				
Pump #	Flow @ 1725 RPM	Housing Material	Shaft Material	Seal Type	Seal Material	Gear Material				Bearing Material					
						Drive	Idle	Drive	Idle						
103	1.5 GPM	1	SS316	SS316	3	Packing	Teflon(R)*w/ Graphite	1	Ryton(R)*	Ryton(R)*	A	Hastelloy C(R)*	Ryton(R)*	P	Glass Filled Teflon(R)* White
104	2 GPM	3	Hastelloy C(R)*	Hastelloy C(R)*	4	Mechan.	Teflon(R)*	5	Hastelloy C(R)*	Teflon(R)*	B	SS316	Ryton(R)*	C	Chemical Duty Carbon
207	4 GPM				5	Mechan.	Viton	6	W88	W88	C	W88	Ryton(R)*		
417	10 GPM	6*	Ryton(R)*	SS316	D	Mechan.	EPDM	7	Teflon(R)*	Teflon(R)*	E	SS316	SS316		
935	23 GPM	9*	Ryton(R)*	Alloy C	8	Packing	Grafoil(R)*	8	W88	Teflon(R)*	F	SS316	Teflon(R)*		
					9	Packing	Teflon(R)*								

207	1	4	6	C
-----	---	---	---	---

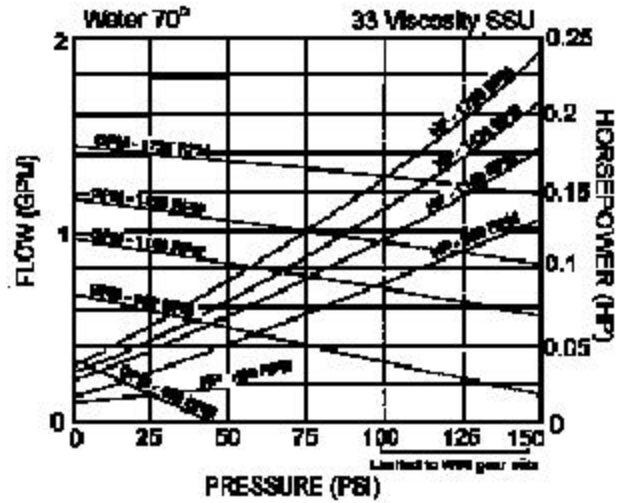
* 6 & 9 materials in Code Position 2 are only available for #2 pump (Ryton(R)*).

*Teflon(R) is a registered trademark of DuPont. Teflon(R) or equivalent PTFE will be used.
 Ryton(R) is a registered trademark of Phillips Petroleum Company. Ryton(R) or equivalent PPS Plastic will be used.
 Hastelloy C(R) is a registered trademark of Haynes International. Hastelloy C(R) or equivalent Alloy C will be used.
 Grafoil(R) is a registered trademark of UCAR Carbon Technology Corp. Grafoil(R) or equivalent graphite material will be used.

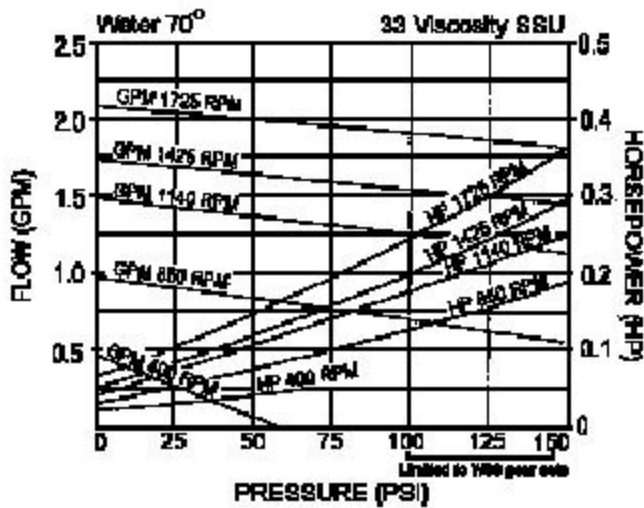
PERFORMANCE



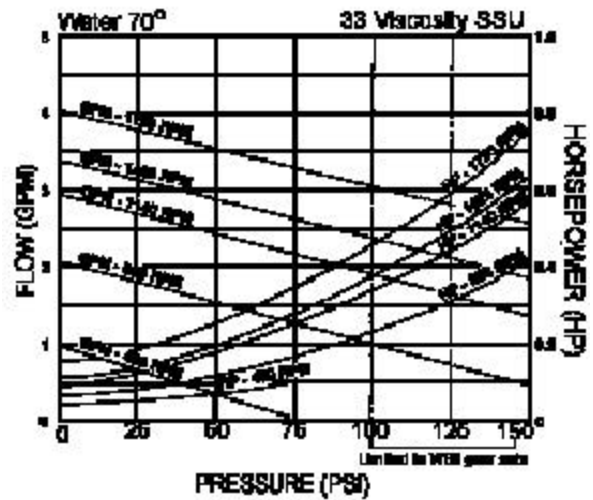
1.5 GPM - SERIES 103



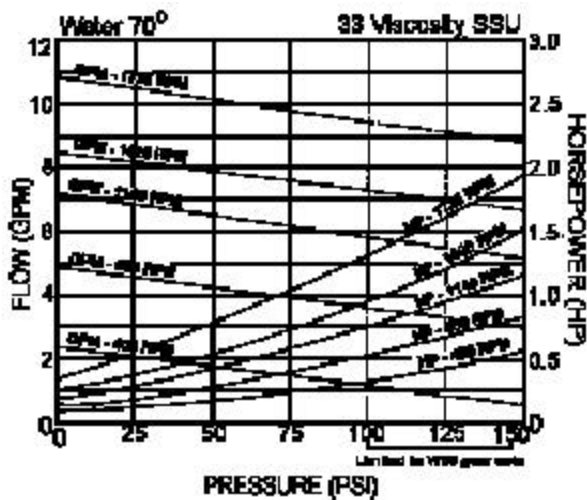
2 GPM - SERIES 104



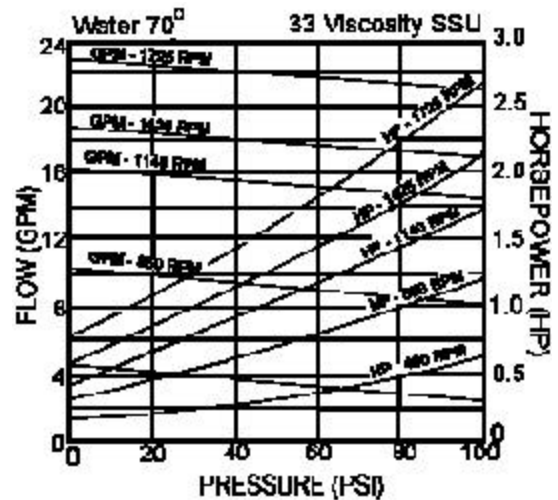
4 GPM - SERIES 207



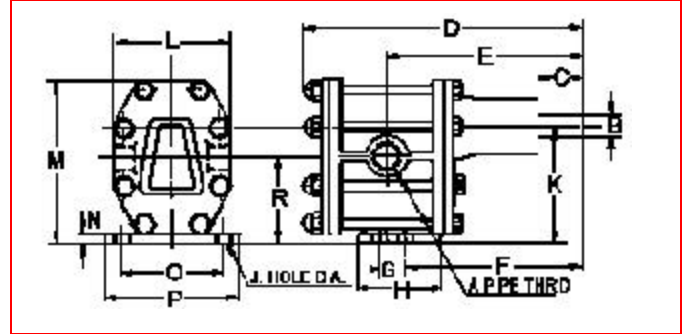
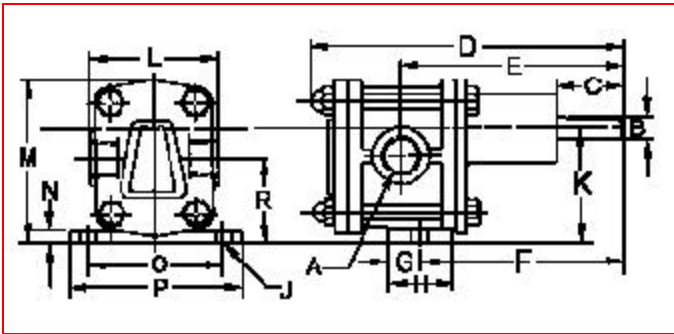
10 GPM - SERIES 417



23 GPM - SERIES 935



DIMENSIONS



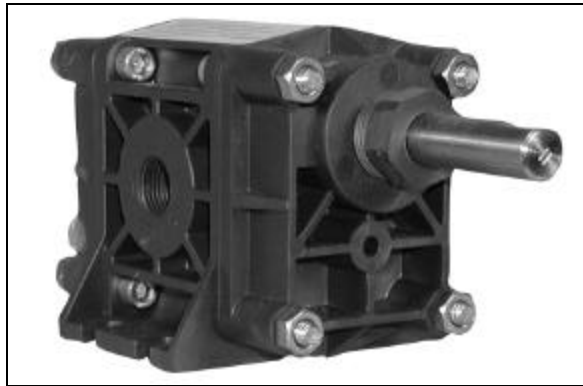
Pump #	Flow at 1725 RPM	A	B	C*	D	E	F	G	H	J	K	L	M	N	O	P	R
103	1 GPM	3/8	0.375	1.55	5.36	4	3.69	0.63	1.25	0.28	1.875	2.44	2.69	0.22	2.25	2.88	1.41
104	2GPM	3/8	0.375	1.55	5.36	4	3.69	0.63	1.25	0.28	1.875	2.44	2.69	0.22	2.25	2.88	1.41
2	4 GPM	3/8	0.5	1.61	6.28	4.6	4.22	0.56	1.38	0.34	2.625	2.63	3.75	0.25	2.25	3	1.97
4	10 GPM	3/4	0.625	1.88	7.56	5.38	4.28	1.13	2.13	0.34	3	3.38	4.33	0.25	2.5	3.38	2.25
9	23 GPM	1 1/4	0.625	1.83	7.81	5.5	4.16	1.25	2.13	0.41	3.875	4	5.53	0.25	3	4	2.88

* Dimension C is for pumps with mechanical type shaft seals.

For pumps with packing seals dimension C is .25" shorter, except for 4 GPM pump, it is .37" shorter.

** Pump has only 2 foot holes.

RYTON(R) (PPS) PUMPS



Because it is less expensive, the Ryton(R)* (PPS) pump has become a popular alternative to metal pumps in chemical applications. Its quiet running gears are efficient, use less power, and have a long service life. Its building block design permits ease of servicing and parts replacement.

The Ryton(R)* (PPS) pump line was designed with special inert carbon bearings. These bearings are used for maximum chemical compatibility and also serve as thrust flanges and wear plates.

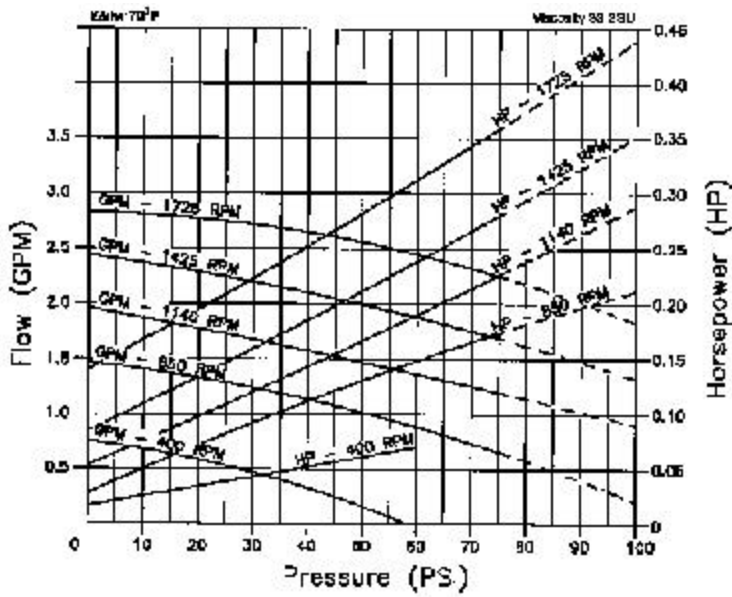
Options include packing type seals (Grafoil(R)* rings) or mechanical seals made of ceramic, carbon, and Teflon(R)*.

MATERIALS OF CONSTRUCTION

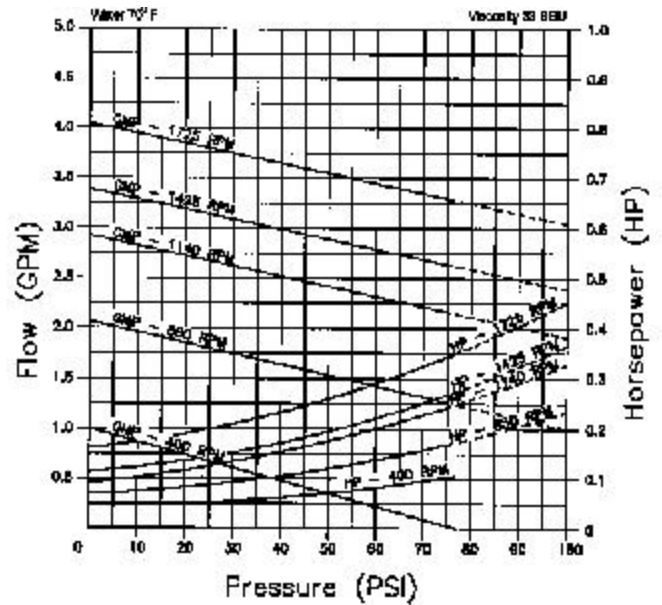
Housings	Injection molded reinforced PPS plastic. Glass fibers added for strength and stability.
Gears	Injection molded PPS plastic for close tolerances and stability. Compound additives include glass for strength and Teflon for lubricity. Plastic gears are quiet, efficient, use less power and give longer service life.
Bearings	Carbon sleeve bearings for maximum chemical compatibility also serve as thrust flanges and wear plates.
Seals	Options include mechanical seals made of ceramic carbon and Teflon(R)*, packing type (Grafoil(R)* rings) or Teflon(R)* lip seal.
Shafts	316 stainless steel or high nickel Hastelloy C(R)*.
Gaskets	Teflon(R)* O-rings for positive sealing, independent of internal pump clearances.

PERFORMANCE

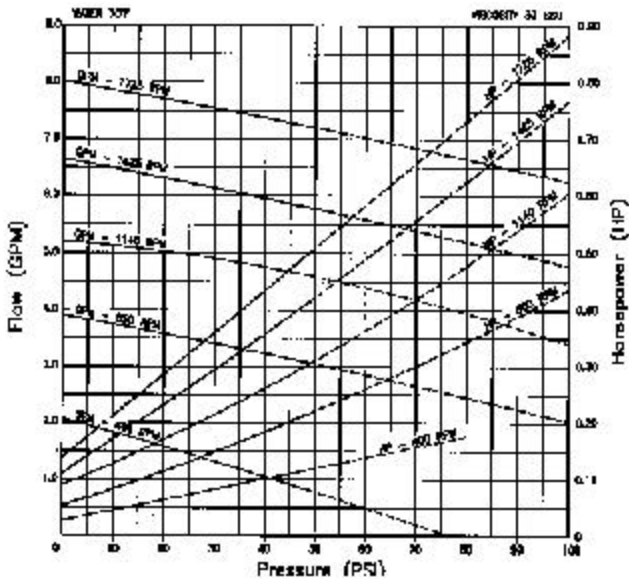
SERIES 205



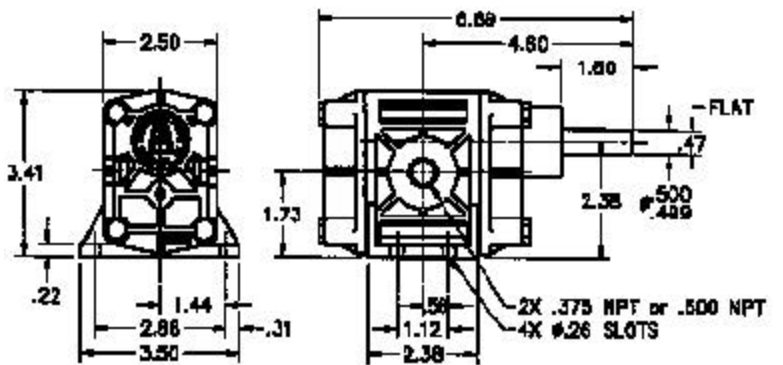
SERIES 207



SERIES 214



DIMENSIONS



OBARDORFER PUMPS

A Subsidiary of Thomas Industries Inc.