



OBERDORFER

THERMOPLASTIC SELF PRIMING CENTRIFUGAL PUMPS

MODELS
 900G 930G
 910G 940G

GAS ENGINE DRIVE

PIPE SIZE: 900G, 910G 2"
 930G, 940G 3"



See model 900 for close coupled electric motor drive.
 See model 90P, 91P, 93P for pedestal drive.

Pump No.	Engine Drive
900G-UGY	Briggs & Stratton 3 H.P. Model 80232, Type 0721-01 or 0035-01
910G-UGX	Briggs & Stratton 5 H.P. Model 130232, Type 0594-01 or 0036-01
930G-UGX	Briggs & Stratton 5 H.P. Model 130232, Type 0594-01 or 0036-01
940G-UGG	Tecumseh 7 H.P. Model HM 70-132009A

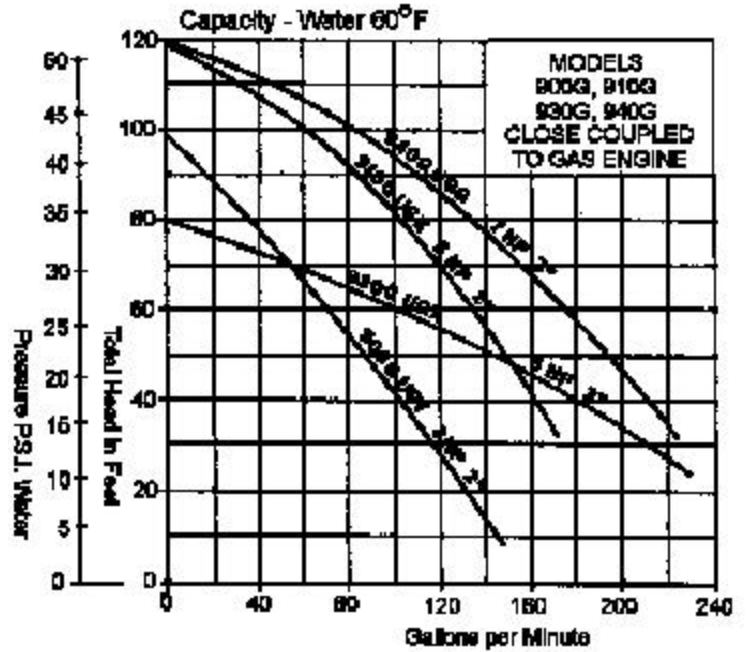
APPLICATIONS

INDUSTRIAL - CHEMICAL - AGRICULTURE
 MARINE - CONTRACTOR - UTILITY

- n General Water Supply
- n Emergency Stand-by
- n Lawn Sprinkling
- n Pumping from Underground Tanks
- n Industrial Sump Drainage
- n Recirculation of Process Liquids
- n Dewatering of Ditches, Cellars, Ponds
- n Washing Down Barns or Equipment
- n Irrigation - Flood Furrow or Sprinkler
- n Pumping Cess Pools

TEMPERATURE RANGE: -20°F to 130°F

Note: Vitont is a registered trademark of DuPont Dow Elastomers.



SPECIAL MODEL DESIGNATIONS

- n To specify seal made of Vitont & rubber parts of Vitont, add -10 to basic pump numbers. (Example 900G-10 UGY). Typical applications include solvents and chemicals.
- n To specify seal made of Vitont & rubber parts of Ethylene Propylene (EPDM), add -12 to basic pump numbers. (Example 900G-12 UGY). Typical applications include agricultural chemicals.
- n To specify rubber Volute liner, add -13 to basic pump numbers (Example 900G-13 UGY). Typical applications include dirty liquids.

FEATURES

- n Tough, lightweight, thermoplastic polyester housings and impellers for chemical and wear resistance.
- n Excellent corrosion resistance to water, acids and most organic solvents - liquids normally requiring expensive pump liners or stainless steel construction.
- n Quiet, efficient, long life.
- n Self priming to 25 feet suction lift in approximately 1 minute depending on pump R.P.M. and altitude.
- n Stainless steel fasteners.
- n Mechanical seals with ceramic wearface mating with lapped carbon.
- n Standard seal elastomer material is Buna - also available in Vitont - also available in EPDM.
- n Rubber Volute liner is available for dirty liquids.
- n Built in check valve prevents back flow when pump is shut down.

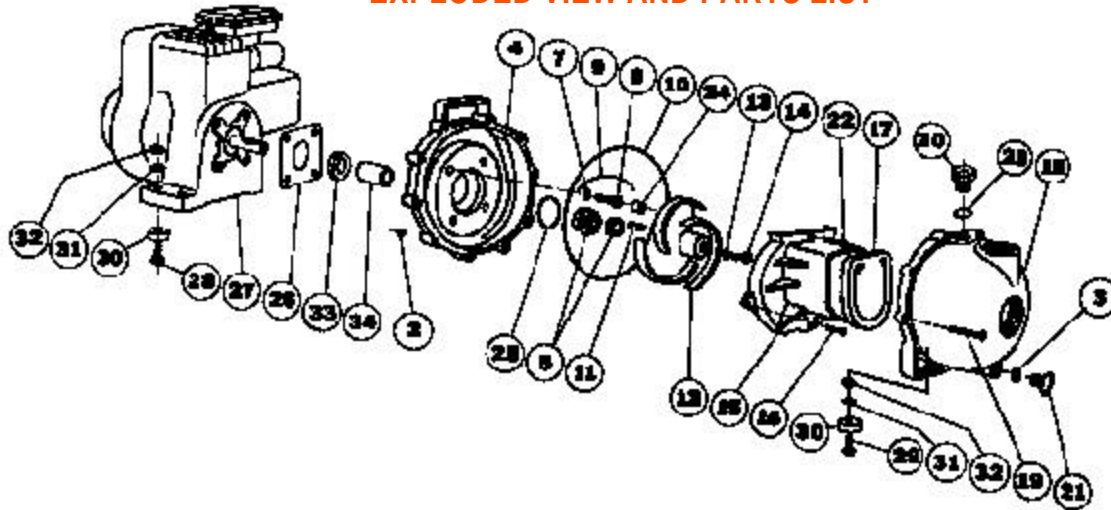
MODELS
 900G 930G
 910G 940G

OBERDORFER

THERMOPLASTIC SELF PRIMING CENTRIFUGAL PUMPS



EXPLODED VIEW AND PARTS LIST

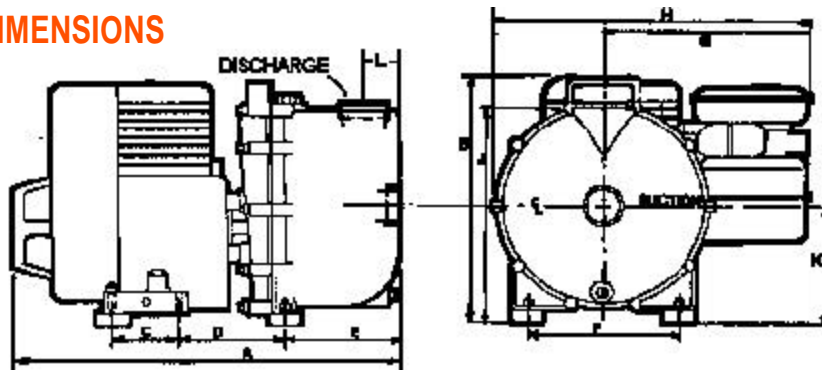


Repair Kit No.*	Pump No.	2	3	4	5	7	8	9	10	11	12	13	14	15	16	17	18
		Hex Nut	O-Ring	Bracket	Seal Assy.	O-Ring	Screw	O-Ring Segment	O-Ring	Key	Impeller	O-Ring	Screw	Volute	Screw	Check Valve	Body
		10 Req'd	1 Req'd	1 Req'd	1 Req'd	4 Req'd	4 Req'd	1 Req'd	1 Req'd	1 Req'd	1 Req'd	1 Req'd	1 Req'd	1 Req'd	2 Req'd	1 Req'd	1 Req'd
024-704	900G-UGY	721-00	1009-71	703-30	714-11	717-71	728-10	754-71	719-71	718-00	704-30	717-71	716-10	702-30	725-10	705-71	1002-30
024-706	910G-UGX	721-00	1009-71	703-30	714-11	717-71	728-10	754-71	719-71	718-00	706-30	717-71	716-10	702-30	725-10	705-71	1002-30
024-975	930G-UGX	721-00	1009-71	703-30	714-11	717-71	728-10	754-71	719-71	718-00	975-30	717-71	716-10	977-30	725-10	705-71	755-30
024-706	940G-UGG	721-00	1009-71	703-30	714-11	717-71	728-10	754-71	719-71	718-00	706-30	717-71	716-10	702-30	725-10	705-71	755-30

Pump No.	19	20	21	22	23	24	25	26	27	28	29	30	31	32	33	34
	Screw	Filler Plug	Drain Plug	Volute Screw	O-Ring	Screw Plug	O-Ring	Bracket Shim	Engine	Screw	Screw	Rubber Feet	Washer	Hex Nut	Slinger	Shaft Sleeve
	10 Req'd	1 Req'd	1 Req'd	1 Req'd	1 Req'd	4 Req'd	1 Req'd	1 Req'd	1 Req'd	2 Req'd	2 Req'd	4 Req'd	4 Req'd	4 Req'd	1 Req'd	1 Req'd
900G-UGY	720-00	722-30	723-30	771-10	765-71	750-40	976-71	751-90	8090	728-00	729-00	727-90	730-00	731-00	884-71	882-90
910G-UGX	720-00	722-30	723-30	771-10	765-71	750-40	976-71	751-90	8091	728-00	729-00	727-90	730-00	731-00	884-71	882-90
930G-UGX	720-00	722-30	723-30	771-10	765-71	750-40	976-71	751-90	8091	728-00	729-00	727-90	730-00	731-00	884-71	882-90
940G-UGG	720-00	722-30	723-30	771-10	765-71	750-40	976-71	751-90	8360	728-00	729-00	727-90	730-00	731-00	884-71	882-90

*Repair Kit includes 3,5,7,9,11,12,13,14,16,22,23,25 & 26

DIMENSIONS



Model	Horsepower	Suction & Discharge	A	B	C	D	E	F	G	H	J	K	L
990G-UGY	3	2" NPT	17.75	12.94	3.13	4.19	5.31	7.31	9.25	14.75	11.13	5.75	1.5
910G-UGX	5	2" NPT	20.75	14.63	3.13	4.19	5.31	7.31	10.25	15.75	11.13	5.75	1.5
930G-UGX	5	3" NPT	20.75	14.63	3.13	4.19	5.31	7.31	10.25	15.75	11.13	5.75	1.95
940G-UGG	7	3" NPT	23.25	15.13	3.13	5.19	5.31	7.31	10.25	17.50	11.13	5.75	1.95