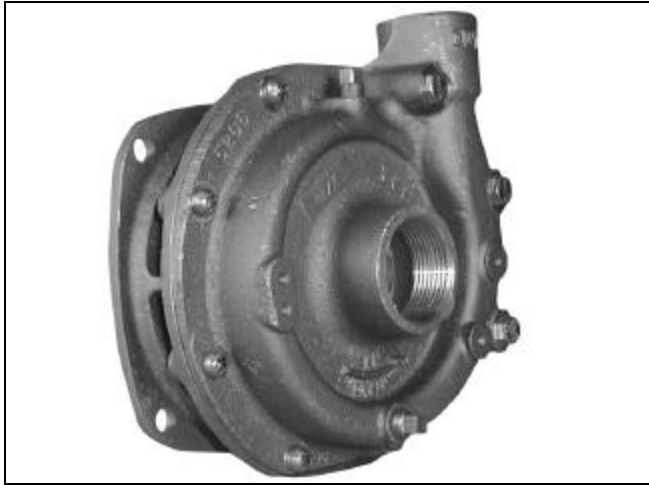


CLOSE COUPLED BRONZE CENTRIFUGAL PUMP

MODEL
700

 **OBERDORFER PUMPS**
A Subsidiary of Thomas Industries Inc.

PIPE SIZE: INLET 1 1/4", OUTLET 1"



	Pump No.	Electric Motor
A	700A-F13	1/3 HP, 3450 RPM, 115 v, Single Phase, ODP
A	700AP-F57	1/3 HP, 3450 RPM, 220/440 v, Three Phase, ODP
B	700B-J19	1/2 HP, 3450 RPM, 115/230v, Single Phase, ODP
B	700BP-J57	1/2 HP, 3450 RPM, 220/440v, Three Phase, ODP
C	700C-M19	3/4 HP, 3450 RPM, 115/230v, Single Phase, ODP
C	700CP-M66	3/4 HP, 3450 RPM, 208/220v, Three Phase, ODP
D	700D-T19	1 1/2 HP, 3450 RPM, 115/230v, Single Phase, ODP
D	700DP-T57	1 1/2 HP, 3450 RPM, 220/440v, Three Phase, ODP

FEATURES

- n All Bronze
- n Stainless Steel Motor Shaft
- n Mechanical Seal
- n Extremely Quiet
- n Will handle difficult solvents with proper seals - Viton(R)* (S10) or Teflon(R)* (S11)
- n Long Life
- n Does not require relief valve

LIQUIDS

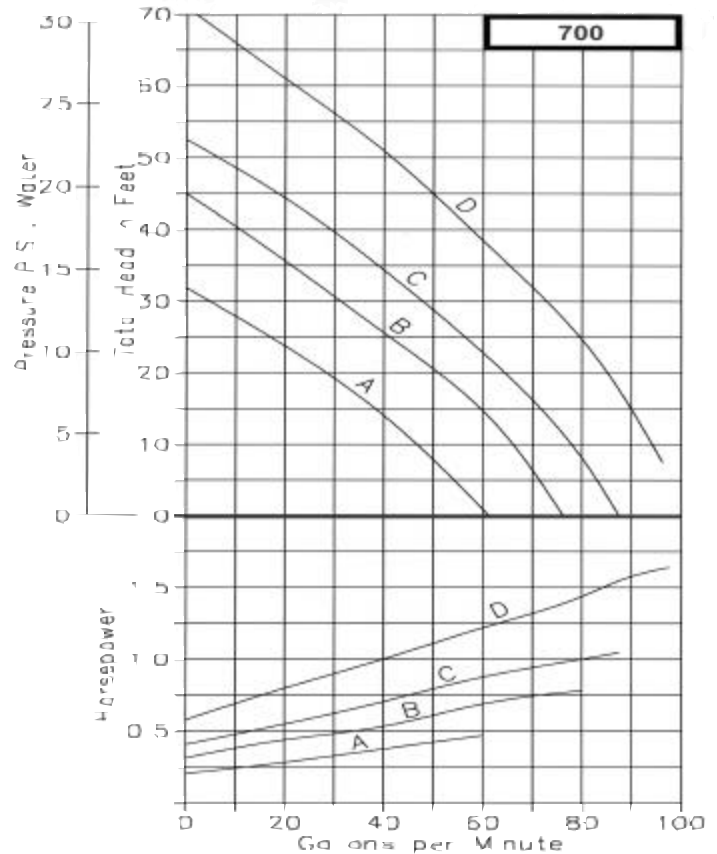
The special pump alloys used provide corrosion resistance to many liquids including water, water solutions, and a wide range of commercial chemicals. Questions as to the chemical compatibility of special liquids should be referred to the factory.

Viscous liquids with a maximum viscosity of 2000 Saybolt Seconds Universal can be pumped. However, when pumping viscous liquids as compared with water, a reduction in flow and pressure occurs and the required horsepower rate increases.

Liquids heavier than water require additional horsepower in direct proportion to the increase in specific gravity. Liquids contaminated with small solids or abrasives can be handled, but a reduction in mechanical seal life must be expected.

*Viton(R) is a registered trademark of DuPont Dow Elastomers. Viton(R) or equivalent FKM will be used.
Teflon(R) is a registered trademark of DuPont. Teflon(R) or equivalent PTFE will be used.

CAPACITY Water at 70° F / 3450 RPM



CHARACTERISTICS

This close-coupled pump uses a standard NEMA C-Flange Jet Pump Motor with weld-on base and threaded shaft end to accept the pump impeller. Single phase motors are non-reversible and are wired for the proper pump rotation which is counter-clockwise looking at the inlet end of the pump. (See the dimensional drawing on back.) Three phase motors must be checked out for proper rotation when the pump is installed. Interchanging of any 2 wires in a 3-phase system will reverse motor rotation.

The pump uses a mechanical type shaft seal with a Buna N rubber element. It is suitable for water, oils, and some mild solvents and it is limited to 212°F and 75 P.S.I. Viton(R)* seals and Teflon(R)* seals are available for severe solvents and difficult chemicals.

These centrifugal pumps are not self-priming. They must be installed below the liquid level so that the liquid flows to the pump by gravity (flooded suction). However, if a foot valve is used at the beginning of the suction line and all air is bled from the pump by manual priming, the pump will lift on the suction side up to 15 feet. Such a system relies entirely on a non-leaking foot valve for starting capability. (continued on back)

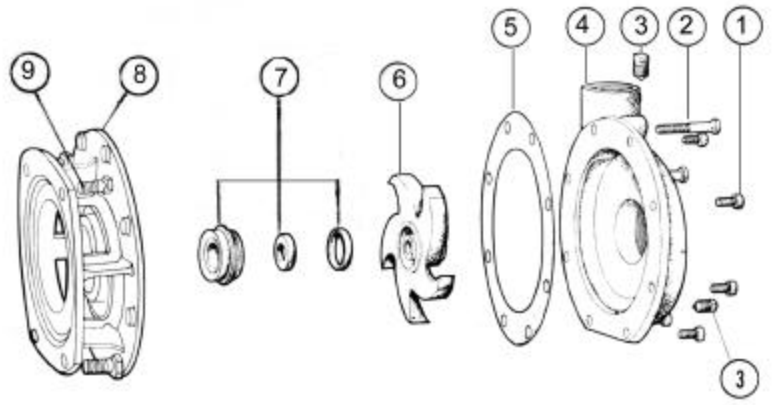
**MODEL
700**

CLOSE COUPLED BRONZE CENTRIFUGAL PUMP



OBERDORFER PUMPS
A Subsidiary of Thomas Industries Inc.

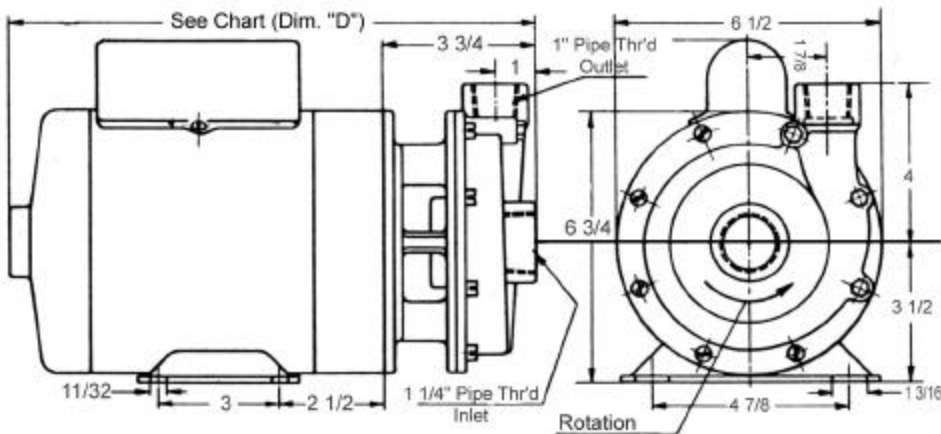
EXPLODED VIEW AND PARTS LIST



Pump No.	1	2	3	4	5 ¹	6 ¹	7 ¹	8	9	11 ¹	Repair Kit*
	Screw	Screw	Plug	Body	Gasket	Impeller	Seal Assy.	Adapter	Screw	Set Screw	
	5 Reqd	3 Reqd	1 Reqd	1 Reqd	1 Reqd	1 Reqd	1 Reqd	1 Reqd	4 Reqd	1 Reqd	
700A	5504	5633	6052	5266	5307	6075	32154	5251	5411	---	10697
700AP	5504	5633	5395	5266	5307	6078	32154	5251	5411	9849	10859
700B	5504	5633	5395	5266	5307	6076	32154	5251	5411	---	10698
700BP	5504	5633	5395	5266	5307	6519	32154	5251	5411	9849	10860
700C	5504	5633	5395	5266	5307	6077	32154	5251	5411	---	10699
700CP	5504	5633	6052	5266	5307	6520	32154	5251	5411	9849	10861
700D	5504	5633	5395	5266	5307	5267	32154	5251	5411	---	10700
700DP	5504	5633	6052	5266	5307	6521	32154	5251	5411	9849	10862

*Contains items 5, 6, 7 & 11.

DIMENSIONS



	Pump No.	Impeller Dia.	"D" Dim.
A	700A-F13	3.0	12 1/8
	700AP-F57		
B	700B-J19	3.5	12 7/8
	700BP-J57		
C	700C-M19	3.75	13
	700CP-M66		
D	700D-T19	4.25	14
	700DP-T57		

(continued from front)

The flow of a centrifugal pump can be conveniently controlled by a throttling valve in the discharge line without the need for a relief

valve. In centrifugal pumps, the horsepower demand will decrease as the pressure increases. Maximum horsepower occurs with a wide open discharge.