

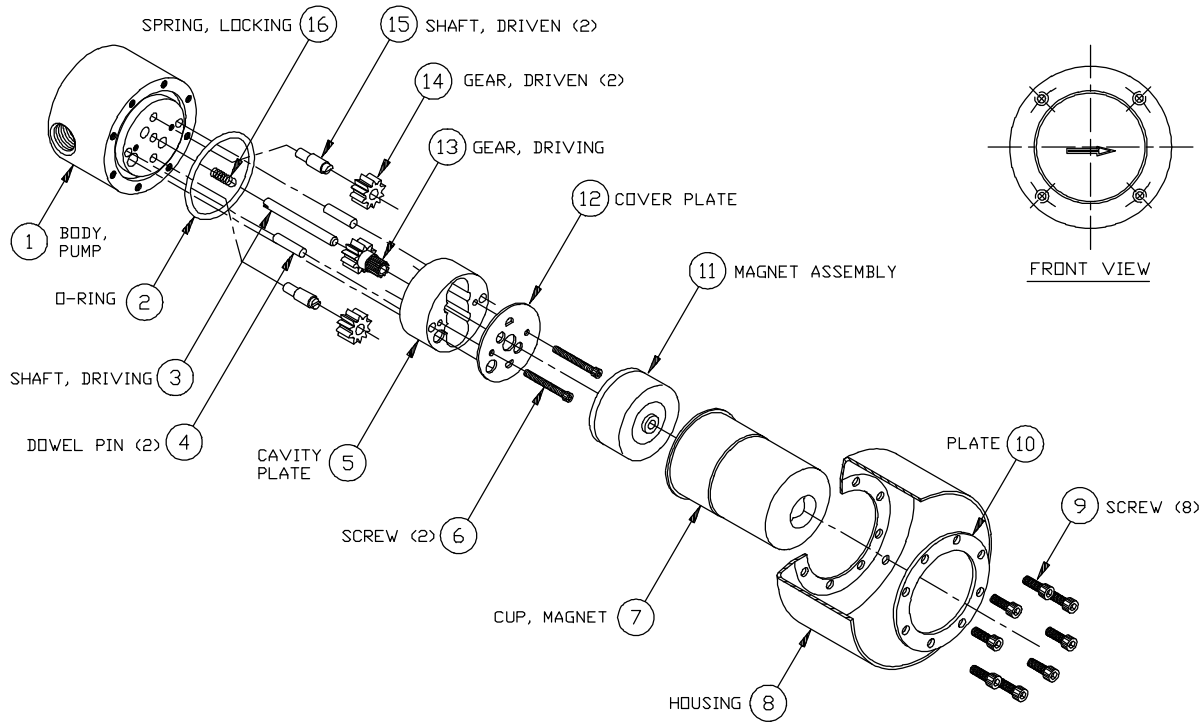


PART NUMBER: 6987

**SERVICE INSTRUCTIONS**

REVISION			
LTR.	DESCRIPTION	DATE	BY
E	REVISED PER ECN-4677	9/8/98	DPM

MOD: 223



**GENERAL:**

1. All service work should be performed in a clean area.
2. Care should be taken to avoid scratching any sealing surfaces or allowing metal chips to come in contact with the driven magnet assembly.
3. An even, light coat of high vacuum silicon grease (Dow Corning or equivalent) should be applied to all seals or O-Rings.
4. Seals with chamfer should always be installed with the chamfer up, away from the groove.
5. All assembly screws should be tightened evenly and in an alternating pattern.
6. Only Micropump factory authorized replacement parts should be used when servicing any Micropump products.

**SPECIFIC:**

1. Engage Spring (16) half loop in Driving Gear Shaft (3) slot and rotate Spring/Shaft assembly clockwise while pressing into Pump Body (1) as shown. Firmly seat Spring/Shaft assembly into hole. Install gears as shown.
2. Orient Gear Shafts (15) to engage properly with "D" shaped hole in Cover Plate (12). Secure Cover Plate (12) with Screws (6) as indicated. Torque to 13-15 in-lbs.
3. Torque assembly Screws (9) to 40 in-lbs.

**MICROPUMP, INC.**

**A Unit of IDEX Corporation**

PO Box 8975, Vancouver, WA 98668-8975 • Phone: 360/253-2008 • Fax: 360/253-2401

**MICROPUMP LIMITED**

**A Subsidiary of Micropump, Inc.**

Howard Road, Eaton Socon, St. Neots, Cambridgeshire, PE 19 3ET England, • Phone: (011) (44) 1480-356900

• Fax: (011) (44) 1480-356920

