

BRONZE CLOSE COUPLED CENTRIFUGAL PUMP

MODEL
600



OBERDORFER PUMPS

A Subsidiary of Thomas Industries Inc.

PIPE SIZE: INLET 3/4", OUTLET 1/2"



FEATURES

- n All Bronze Pump Castings
- n Stainless Steel Motor Shaft
- n Mechanical Seal
- n Extremely Quiet
- n Will handle difficult solvents with proper seals - Viton(R)* (S10), or Teflon(R)* (S11)
- n Long Life
- n Do Not Require Relief Valves
- n Will Handle Contaminated Liquids

LIQUIDS

The special pump alloys used provide corrosion resistance to many liquids including water, water solutions, and a wide range of commercial chemicals. Questions as to the chemical compatibility of special liquids should be referred to the factory.

Viscous liquids with a maximum viscosity of 2000 Saybolt Seconds Universal can be pumped. However, when pumping viscous liquids as compared with water, a reduction in flow and pressure occurs and the required horsepower rate increases.

Liquids heavier than water require additional horsepower in direct proportion to the increase in specific gravity. Liquids contaminated with small solids or abrasives can be handled, but a reduction in mechanical seal life must be expected.

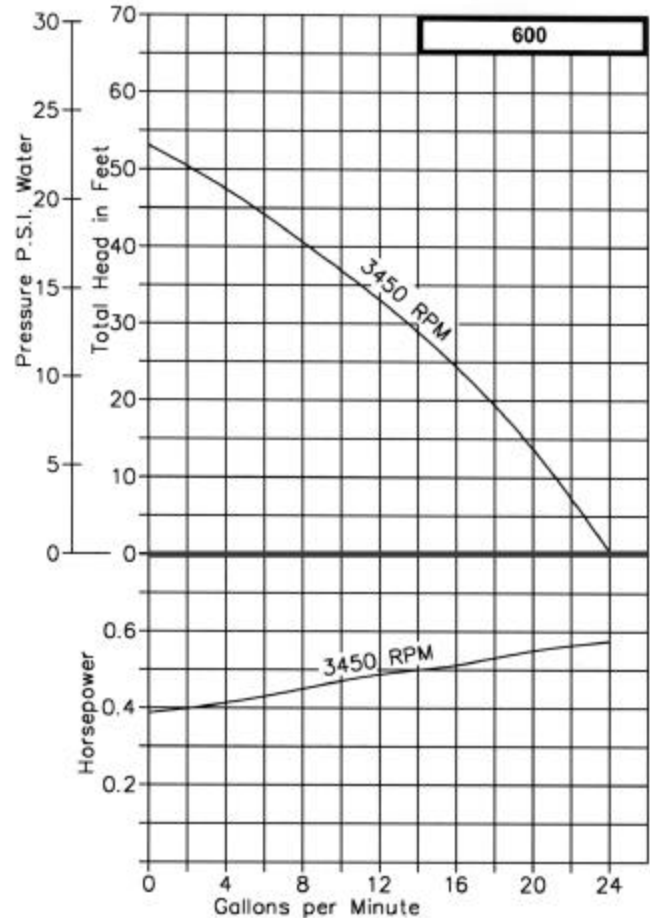
CHARACTERISTICS

This close coupled pump uses a standard NEMA C-Flange Jet Pump Motor with weld-on base and threaded shaft end to accept the pump impeller. Single phase motors are non-reversible and are wired for the proper pump rotation which is counter-clockwise looking at the inlet end of the

* Viton(R) is a registered trademark of DuPont Dow Elastomers. Viton(R) or equivalent FKM will be used.

Teflon(R) is a registered trademark of DuPont. Teflon(R) or equivalent will be used.

CAPACITY Water at 60° F



pump. Three phase motors must be checked out for proper rotation when pump is installed. Interchanging of any 2 wires in a 3-phase system will reverse motor rotation.

The pump uses a mechanical type shaft seal with a Buna rubber element. It is suitable for water, oils, and some mild solvents. It is limited to 212° F and 75 P.S.I. Viton (R)* seals and Teflon(R)* seals are available for severe solvents and difficult chemicals.

These centrifugal pumps are not self-priming. They must be installed below the liquid level so that the liquid flows to the pump by gravity (flooded suction). However, if a foot valve is used at the beginning of the suction line and all air is bled from the pump by manual priming, the pump will lift on the suction side up to 15 feet. Such a system relies entirely on a non-leaking foot valve for starting capability.

The flow of a centrifugal pump can be conveniently controlled by a throttling valve in the discharge line without the need for a relief valve. In centrifugal pumps, the horsepower demand will decrease as the pressure increases. Maximum horsepower occurs with a wide open discharge.

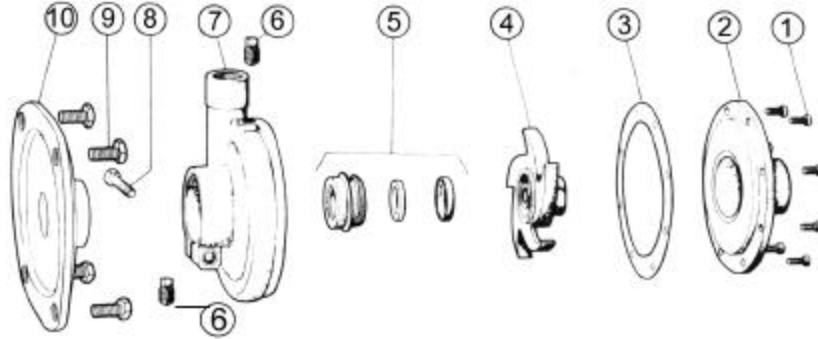
**MODEL
600**

BRONZE CLOSE COUPLED CENTRIFUGAL PUMP



OBERDORFER PUMPS
A Subsidiary of Thomas Industries Inc.

EXPLODED VIEW AND PARTS LIST



| Pump No. | 1 | 2 | 3 ¹ | 4 ¹ | 5 ¹ | 6 | 7 | 8 | 9 | 10 | 11 ^{1,2} | Repair Kit ¹ | |
|----------|--------|--------|----------------|----------------|----------------|--------|--------|--------|--------|---------|-------------------|-------------------------|--------------|
| | Screw | Cover | Gasket | Impeller | Seal Assy. | Plug | Body | Screw | Screw | Adapter | Set Screw | | |
| | 8 Reqd | 1 Reqd | 1 Reqd | 1 Reqd | 1 Reqd | 2 Reqd | 1 Reqd | 1 Reqd | 4 Reqd | 1 Reqd | | 1 Reqd | |
| 600 | 5385 | 5168 | 5328 | 5219 | 32154 | 6052 | 7515 | 5595 | 5411 | 7611 | --- | 10696 | Single Phase |
| 600P | 5385 | 5168 | 5328 | 7201 | 32154 | 5395 | 7515 | 5595 | 5411 | 7611 | 9849 | 10858 | Three Phase |
| 600S-10 | 5385 | 5168 | 5328 | 6033 | 32210 | 6052 | 7515 | 5595 | 5411 | 7611 | --- | 10814 | Single Phase |
| 600S-11 | 5385 | 5168 | 6175 | 6033 | 32211 | 6052 | 6173 | 5595 | 5411 | 7611 | --- | 10768 | Single Phase |
| 600PS-10 | 5385 | 5168 | 5328 | 7432 | 32210 | 6052 | 7515 | 5595 | 5411 | 7611 | 9849 | 12175 | Three Phase |
| 600PS-11 | 5385 | 5168 | 6175 | 7432 | 32211 | 6052 | 6173 | 5595 | 5411 | 7611 | 9849 | 11747 | Three Phase |

¹ Repair Kit contains items 3, 4, 5, & 11.

² Item 11 is located in the impeller, not shown in exploded view.

PUMP AND MOTOR COMBINATIONS

Note: These are the most frequently used pump and motor combinations. If you have other needs, our sales reps can recommend a pump and motor for your application.

| Pump No. | Motor | Electric Motor Specs | Part # |
|--------------------------|-------|--|--------|
| 600, 600S-10, 600S-11 | F13 | 1/3 HP, 3450 RPM, 115v, Single, ODP | 5859 |
| 600 | F19 | 1/3 HP, 3450 RPM, 115/230v, Single, ODP | 7957 |
| 600 | F20 | 1/3 HP, 3450 RPM, 115/230v, Single, TEFC | 7986 |
| 600 | F21 | 1/3 HP, 3450 RPM, 115/230v, Single, XP | 8214 |
| 600 | F22 | 1/3 HP, 2850 RPM, 115/230v, Single ODP | 9758 |
| 600, 600S-10, 600S-11 | J19 | 1/2 HP, 3450 RPM, 115/230v, Single, ODP | 5860 |
| 600, 600S-10, 600S-11 | J20 | 1/2 HP, 3450 RPM, 115/230v, Single, TEFC | 7976 |
| 600P, 600P-S10, 600PS-11 | F57 | 1/3 HP, 3450 RPM, 220/440v, Three, ODP | 6996 |
| 600P | M57 | 3/4 HP, 3450 RPM, 220/440v, Three, ODP | 6999 |
| 600P, 600P-S10, 600PS-11 | M58 | 3/4 HP, 3450 RPM, 220/440v, Three, TEFC | 7967 |
| 600P-S10, 600PS-11 | F58 | 1/3 HP, 3450 RPM, 220/440v, Three, TEFC | 7987 |
| 600P, 600P-S10, 600PS-11 | J58 | 1/2 HP, 3450 RPM, 220/440v, Three, TEFC | 9214 |

DIMENSIONS

(A typical 600-F13 or 600P-F57 shown.)

