

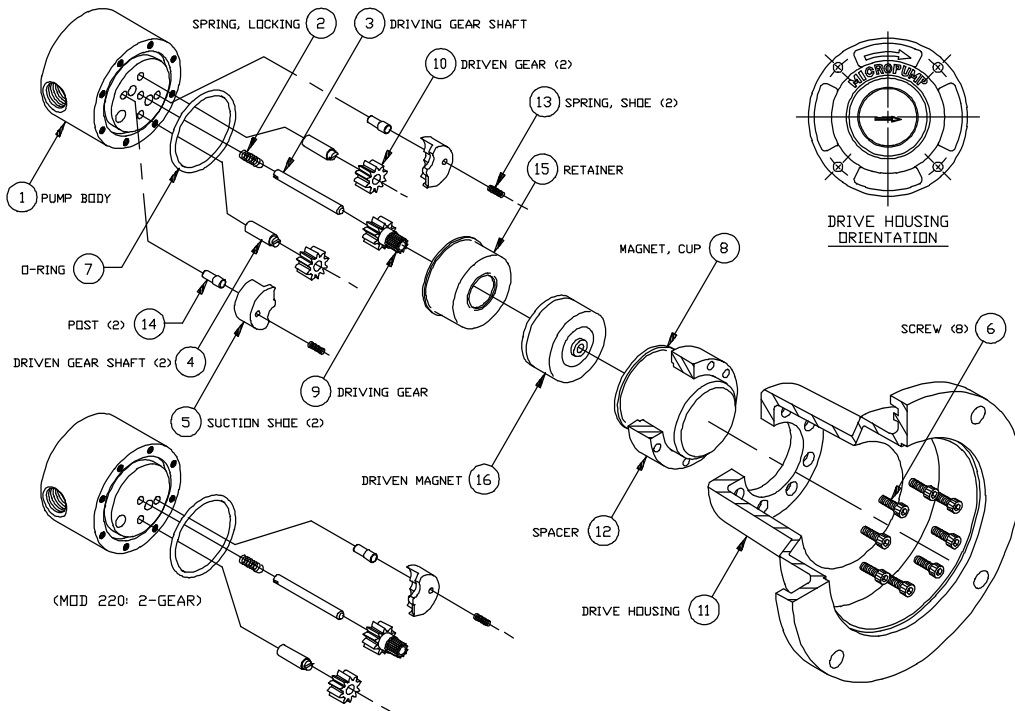


PART NUMBER: 5800

SERVICE INSTRUCTIONS:

MOD: 220/221 56C

REVISION			
LTR.	DESCRIPTION	DATE	BY
D	REVISED PER ECN-4784	7/6/99	JW



GENERAL:

1. All service work should be performed in a clean area.
2. Care should be taken to avoid scratching any sealing surfaces or allowing metal chips to come in contact with the driven magnet assembly.
3. An even, light coat of high vacuum silicon grease (Dow Corning or equiv.) should be applied to all seals or O-Rings.
4. O-Rings with chamfers should always be installed with the chamfer up, away from the groove.
5. All assembly screws should be tightened evenly and in an alternating pattern.
6. Only Micropump factory authorized replacement parts should be used when servicing any Micropump products.

SPECIFIC:

1. Engage Spring (2) half loop into Driving Gear Shaft (3) slot and rotate Spring/Shaft assembly clockwise while pressing into Pump Body (1) as shown. Firmly seat Spring/Shaft assembly into hole.
2. Orient Driven Gear Shaft(s) (4) to allow the step to engage with Suction Shoe(s) (5) permitting the Suction shoe to seat flat against the Pump Body (1) face.
3. Torque assembly Screws (6) to 40 in/lbs.
4. Gears and Suction Shoe(s) should always be replaced in matched sets.

MICROPUMP, INC.

A Unit of IDEX Corporation

PO Box 8975, Vancouver, WA 98668-8975 • Phone: 360/253-2008 • Fax: 360/253-8294

MICROPUMP LIMITED

A Subsidiary of Micropump, Inc.

Howard Road, Eaton Socon, St. Neots, Cambridgeshire, PE 19 3ET England, • Phone: (44) (0) 1480-356600 • Fax: (44) (0) 1480-356300

PART NUMBER:	5800
---------------------	------

REVISION			
LTR.	DESCRIPTION	DATE	BY
D	REVISED PER ECN-4784	7/6/99	JW

SPARE PARTS LIST

FOR GEAR PUMP MODEL 220/221-56C

ITEM NO.	PART NO.	DESCRIPTION	UNITS PER ASSEMBLY
1	5727	BODY, PUMP (MOD 220-56C ONLY)	1
1	5770	BODY, PUMP (MOD 221-56C ONLY)	1
2	6066	SPRING, LOCKING	1
3	5724	* SHAFT, DRIVING GEAR	1
4	5723	* SHAFT, DRIVEN GEAR	1 (220-56C)
4	5723	* SHAFT, DRIVEN GEAR	2 (221-56C)
5	5742	* SHOE, SUCTION	1 (220-56C)
5	5742	* SHOE, SUCTION	2 (221-56C)
6	5769	SCREW	8
7	4709	O-RING, VITON	1
7	5876	O-RING, EPDM	1
7	6337	O-RING, TEV	1
8	5726	CUP, MAGNET	1
9	5732	* GEAR, DRIVING	1
10	5731	* GEAR DRIVEN	1 (220-56C)
10	5731	* GEAR DRIVEN	2 (221-56C)
11	5705	HOUSING	1
12	5729	SPACER	1
13	5650	SPRING, SUCTION SHOE	1 (220-56C)
13	5650	SPRING, SUCTION SHOE	2 (221-56C)
14	5722	POST, SUCTION SHOE	1 (220-56C)
14	5722	POST, SUCTION SHOE	2 (221-56C)
15	5730	RETAINER	1
16	81355	MAGNET, DRIVEN	1
	5794	SCREW	4
	81356	HUB ASSEMBLY	1
	81387	GEAR SERVICE KIT (MOD 220-56C ONLY)	
	81388	GEAR SERVICE KIT (MOD 221-56C ONLY)	
		* PARTS AVAILABLE IN GEAR SERVICE KIT ONLY	

MICROPUMP, INC.

A Unit of IDEX Corporation

PO Box 8975, Vancouver, WA 98668-8975 • Phone: 360/253-2008 • Fax: 360/253-8294

MICROPUMP LIMITED

A Subsidiary of Micropump, Inc.

Howard Road, Eaton Socon, St. Neots, Cambridgeshire, PE 19 3ET England, • Phone: (44) (0) 1480-356600 • Fax: (44) (0) 1480-356300