

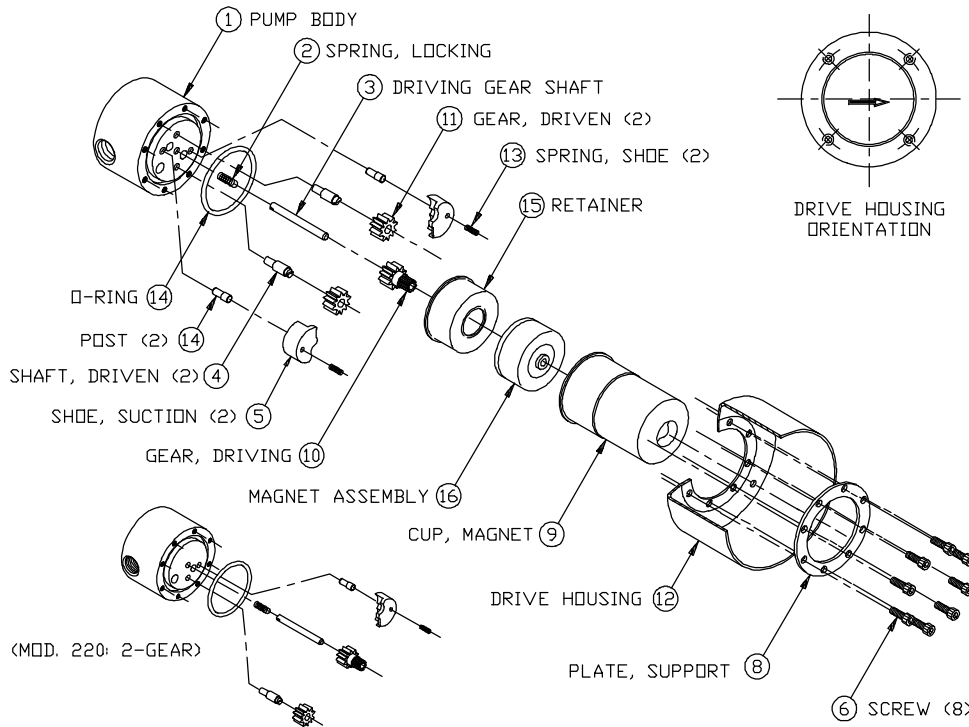


PART NUMBER: 5797

SERVICE INSTRUCTIONS:

MOD: 220/221

REVISION			
LTR.	DESCRIPTION	DATE	BY
B	REVISED PER ECN-4253	9/9/96	DPM



GENERAL:

1. All service work should be performed in a clean area.
2. Care should be taken to avoid scratching any sealing surfaces or allowing metal chips to come in contact with the Driven Magnet Assembly.
3. An even, light coat of high vacuum silicone grease (Dow Corning or equiv.) should be applied to all seals or O-Ring.
4. O-Ring with chamfers should always be installed with the chamfer up, away from the groove.
5. All assembly screws should be tightened evenly and in an alternating pattern.
6. Only Micropump factory authorized replacement parts should be used when servicing any Micropump products.

SPECIFIC:

1. Engage Spring (2) half-loop into Driving Gear Shaft (3) slot and rotate Spring/Shaft assembly clockwise while pressing into Pump Body (1) as shown. Firmly seat Spring/Shaft assembly into hole.
2. Orient Driven Gear Shaft(s)(4) to allow the step to engage with Suction Shoe(s)(5) permitting the Suction Shoe to seat flat against the Pump Body (1) face.
3. Torque assembly Screws (6) to 40 in/lbs.
4. Gears and Suction Shoe(s) should always be replaced in matched sets.

MICROPUMP, INC.

A Unit of IDEX Corporation

PO Box 8975, Vancouver, WA 98668-8975 • Phone: 360/253-2008 • Fax: 360/253-8294

MICROPUMP LIMITED

A Subsidiary of Micropump, Inc.

Forge Close, Eaton Socon, St. Neots, Cambridgeshire, PE 19 3TP England, • Phone: (44) (0) 1480-219844 • Fax: (44) (0) 1480-476959

<b>PART NUMBER:</b>	5797
---------------------	------

<b>REVISION</b>			
LTR.	DESCRIPTION	DATE	BY
B	REVISED PER ECN-4253	9/9/96	DPM

**SPARE PARTS LIST**

FOR GEAR PUMP MODEL 220/221

<b>ITEM NO.</b>	<b>PART NO.</b>	<b>DESCRIPTION</b>	<b>UNITS PER ASSEMBLY</b>
1	5727	BODY, PUMP (MOD. 220 ONLY)	1
1	5770	BODY, PUMP (MOD. 221 ONLY)	1
2	6066	SPRING, LOCKING	1
3	5724	* SHAFT, DRIVING GEAR	1
4	5723	* SHAFT, DRIVEN GEAR	1 (MOD.220)
4	5723	* SHAFT, DRIVEN GEAR	2 (MOD.221)
5	5742	* SHOE, SUCTION	1 (MOD.220)
5	5742	* SHOE, SUCTION	2 (MOD.221)
6	5878	SCREW	8
7	4709	O-RING, VITON	1
8	6086	PLATE	1
9	5734	CUP, MAGNET	1
10	5732	* GEAR, DRIVING	1
11	5731	* GEAR, DRIVEN	1 (MOD.220)
11	5731	* GEAR, DRIVEN	2 (MOD.221)
12	5740	HOUSING	1
13	5650	SPRING, SUCTION SHOE	1 (MOD.220)
13	5650	SPRING, SUCTION SHOE	2 (MOD.221)
14	5722	POST, SUCTION SHOE	1 (MOD.220)
14	5722	POST, SUCTION SHOE	2 (MOD.221)
15	5730	RETAINER	1
16	81355	MAGNET ASSEMBLY	1
	81387	GEAR SERVICE KIT (MOD. 220 ONLY)	
	81388	GEAR SERVICE KIT (MOD. 221 ONLY)	
		* PARTS AVAILABLE IN GEAR SERVICE KIT ONLY	

Prices subject to change without notice.

**MICROPUMP, INC.**

**A Unit of IDEX Corporation**

PO Box 8975, Vancouver, WA 98668-8975 • Phone: 360/253-2008 • Fax: 360/253-8294

**MICROPUMP LIMITED**

**A Subsidiary of Micropump, Inc.**

Forge Close, Eaton Socon, St. Neots, Cambridgeshire, PE 19 3TP England, • Phone: (44) (0) 1480-219844 • Fax: (44) (0) 1480-476959