



First choice when  
quality counts.™

# Husky™ 307 Air-Operated Diaphragm Pump

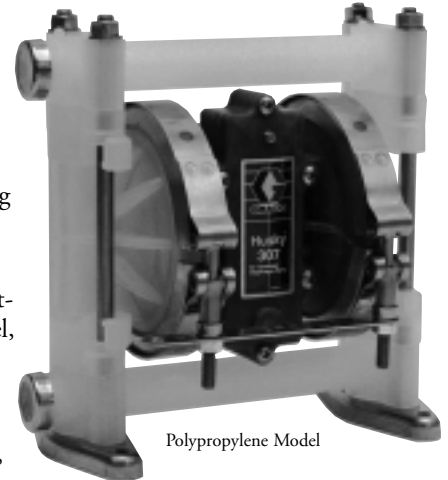
- **Fully groundable acetal model**
- **Delivery up to 7 gpm (26.5 lpm)**
- **Operates on as little as 20 psi (1.4 bar, 0.14 MPa) air pressure**
- **Easy-to-service air valve & ball checks**
- **Quiet operation—75 dBa at 50 psi (3.5 bar, 0.35 MPa) and 60 cpm**

## Economical 3/8 inch Diaphragm Pump

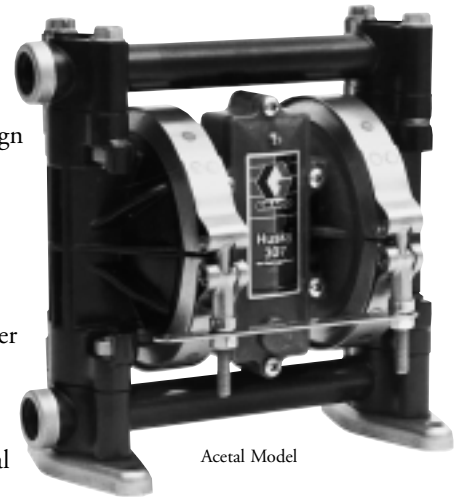
Graco's Husky 307 diaphragm pump is designed to operate at low air pressure while delivering a smooth, reliable flow. Husky 307 pumps are ideal for transferring a wide variety of fluids.

Two models are offered:

- Acetal wetted construction suitable for water-, solvent- and petroleum-based fluids, with either Teflon, Hytrel, Buna-N, or Santoprene diaphragms and ball checks.
- Polypropylene wetted construction for most acids and caustic fluids, with either Teflon, Hytrel, Buna-N, or Santoprene diaphragms and ball checks.
- SST balls are also available for abrasive and highly viscous fluids.



Polypropylene Model



Acetal Model

**Low cost,  
reliable transfer  
pump handles  
a variety of  
fluids**



## New Air Valve Design

The Husky 307 features Graco's patented air valve design with the following advantages:

- Simplified design (only 15 parts) improves reliability and serviceability – air valve is accessed by removing only six screws and there are no pilot valves.
- Lubricated air is not required.
- Air valve uses compressed air very efficiently, for lower operating cost.
- Air valve will operate on as little as 20 psi (1.4 bar 0.14 MPa). This allows the pump to cycle at low flow rates, producing a gentle pumping action – ideal for shear-sensitive fluids and for spraying coatings.
- Reset button offers convenient re-starting under tough service conditions.

## Typical Applications

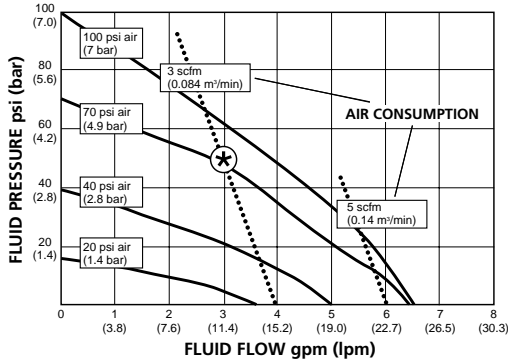
- Drum transfer for fluids up to 1000 centipoise
- Circulation of low viscosity inks, stains and dyes
- Coolant circulation and evacuation
- Waste fluid removal
- On-demand batch chemical metering
- Low viscosity adhesive supply
- Consistent low pressure air spray or HVLP supply

## Typical Fluids Handled

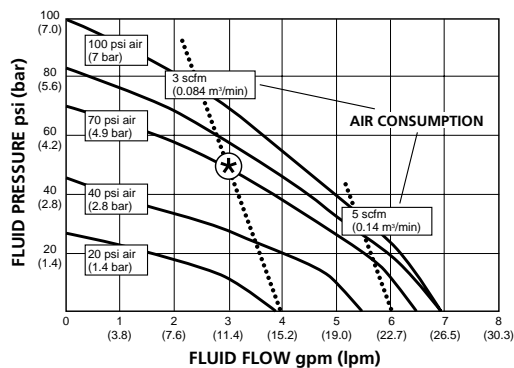
- Paints
- Lubricants
- Inks
- Stains
- Solvents
- Coatings
- Dyes

# Husky 307 Performance

(with Teflon Diaphragm and Ball Checks)



(with Hytrel Diaphragm and Ball Checks)



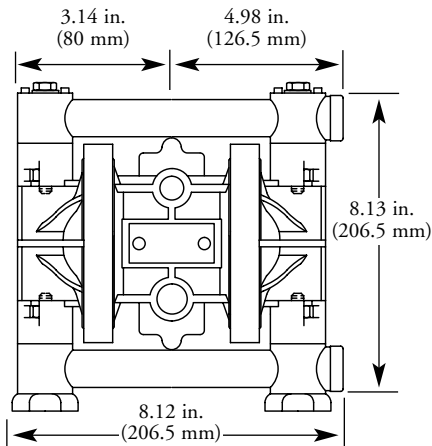
## How to read the performance charts

**To determine the fluid pressure:** Locate the desired *fluid flow* on the horizontal axis, and read up to the appropriate incoming *air pressure* curve. From that intersection, read across to find the *fluid pressure*.

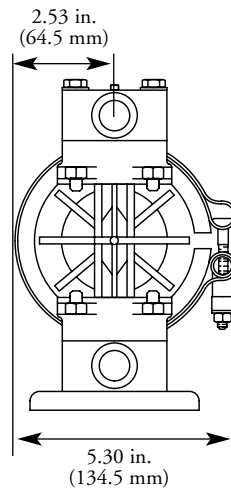
**To determine the fluid flow:** Locate the desired *fluid pressure* on the vertical axis, and read across to the appropriate incoming *air pressure* curve. From that intersection, read down to the horizontal axis to find the maximum *fluid flow*.

**To determine the air consumption:** Find the intersection of the *fluid pressure* on the vertical axis and the appropriate incoming *air pressure* curve. Locate the nearest *air consumption* line to interpolate the air consumption.

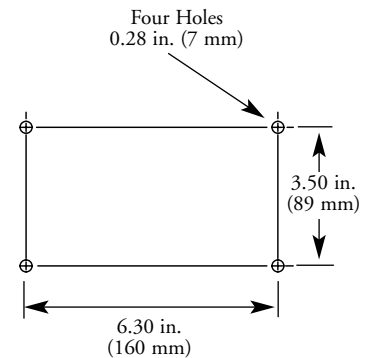
## Front View



## Side View



## Mounting Holes



# Technical Specifications

Max. fluid pressure . . . . . 100 psi (7 bar, 0.7 MPa)

Max. free flow delivery

Teflon diaphragm . . . . . 6.5 U.S. gpm (24.6 l/min)

Hytrel diaphragm . . . . . 7.0 U.S. gpm (26.5 l/min)

Displacement

Teflon diaphragm . . . . 0.020 gal/cycle (0.076 liters/cycle)

Hytrel diaphragm . . . . 0.021 gal/cycle (0.079 liters/cycle)

Max. pump speed . . . . . 330 cpm

Max. size pumpable solids . . . . . 1/16 in. (1.6 mm)

Max. suction lift . . . . . 12 ft. (3.7 m) dry; 21 ft. (6.4 m) wet

Operating temperature range . . . 40-150°F (4.4 - 65.5°C)

Typical noise level at 50 psi (3.5 bar) @ 50 cpm . . . 75 dBa

Air inlet size . . . . . 1/4 npt(f)

Fluid inlet and outlet size . . . . . 3/8 npt(f)

Wetted parts:

Acetal pump . . . . . acetal with SST fibers, and Teflon

Polypropylene pump . . . . . polypropylene and Teflon

Diaphragms . . . . . Teflon, Hytrel, Santoprene, and Buna-N

Seats . . . . . acetal, 316 SST, or polypropylene

Polypropylene pump . . . . . Teflon, 316 SST, Hytrel, Santoprene, and Buna-N

Weight

Acetal . . . . . 5.2 lbs (2.4 kg)

Polypropylene . . . . . 4.75 lbs (2.2 kg)

Instruction manual . . . . . 308-553

## Accessories

### 222-011 Grounding Wire and Clamp

25 ft. (7.6 m) long

### 110-223 Air Bleed Valve

Max. working pressure: 300 psi (21 bar, 2.1 MPa).

Inlet and outlet: 1/4 npt(f).

### Air Line Quick Disconnect

**208-536** Coupler 1/4 npt(f).

**169-970** Fitting 1/4 npt(m).

### 110-147 Air Regulator and Gauge

Adjustment range: 0-180 psi (0-11 bar, 0-1.1 MPa).

Max. working pressure: 300 psi (21 bar, 2.1 MPa).

Inlet and outlet: 1/4 npt(f).

### 205-090 Air Control Needle Valve

Max. working pressure: 300 psi (21 bar, 2.1 MPa).

Inlet: 1/4 npt(m). Outlet: 1/4 npt(f).

### 110-146 Air Line Filter

Max. working pressure: 300 psi (21 bar, 2.1 MPa).

Reusable 20 micron filter and drain cock.

Inlet and outlet: 1/4 npt(f).

### 221-169 Air Hose

Max. working pressure: 300 psi (21 bar, 2.1 MPa).

1/2 in. x 10 ft. (3 m). Coupled 1/2 npt(m) x

1/4 npt(m).

### Dynamic Surge Suppressors

Maximum working pressure: 100 psi (7 bar, 0.7 MPa).

Fluid inlet and outlet: 3/4 npt(f). Air inlet: 1/4 npt(f).

**224-892** Aluminum/Teflon diaphragm

**224-893** Aluminum/Buna-N diaphragm

**224-894** SST/Teflon diaphragm

**224-895** SST/Buna-N diaphragm

### Fluid Hoses

Max. working pressure: 300 psi (21 bar, 2.1 MPa). Nylon core,

synthetic rubber cover. Inside diameter: 3/8 in. (10 mm),

3/8 npt(fbe).

**205-169** 3 ft. (0.9 m) long

**205-398** 6 ft. (1.8 m) long

**235-651** 10 ft. (3.1 m) long

**205-142** 25 ft. (7.6 m) long

### Groundable Fluid Hoses

Max. working pressure: 300 psi (21 bar, 2.1 MPa). Nylon core,

synthetic rubber cover. Inside diameter: 3/8 in. (10 mm),

3/8 npt(fbe).

**215-247** 5 ft. (1.5 m) long

**215-244** 25 ft. (7.6 m) long

### Fluid Drain Valves

**237-534** Stainless Steel/Teflon  
3/8 npt(m) x 3/8 npt(f).

**208-391** Carbon Steel/Teflon  
3/8 npt(m) x 3/8 npt(f).

### 235-344 Fluid Regulation Kit

Max. working pressure: 250 psi (17.5 bar,

1.75 MPa). Regulated pressure range: 5-100 psi

(0.3-7 bar, 0.03-0.7 MPa). Includes SST regulator with Teflon diaphragm, gauge and fittings.

Inlet: 3/8 npsm(f). Outlet: 3/8 npt(f) outlet.

### 113-497 Fluid Pressure Relief Valve

Prevents overpressurization of pump due to thermal

expansion or fluid backup in the outlet line. Venting

pressure: 150 psi (10.5 bar, 1.05 MPa). Brass and

Buna-N, 1/4 npt(m x f).

### 224-835 Wall Mount Bracket

Carbon steel bracket for wall mounting.

Also fits the Husky 715.

### 235-654 5 Gallon Pail-Cover Mount

Includes SST pail cover, agitator port (plugged),

nylon suction tube with strainer.

### 224-834 Acetal Transfer Kit

55 gallon (200 liter). Drum kit includes bung

adapter, suction tube and fittings.

### 188-181 Air-tight Acetal Bung Adapter

Adapter screws into the 2 in. opening on a closed-

head drum to accept a 5/8 in. (19 mm) OD rigid

suction tube.

### 235-509 Bung Adapter Vent

SST vent installs on bung adapter (188-181 or 188-

182) to minimize escape of vapor fumes from drum.

### 235-504 Agitator Kit

Stainless steel agitator (222-695) and fittings for

mounting on a 5 gallon (20 liter) pail cover.

### 235-500 Acetal Remote Suction Kit

55 gallon (200 liter). Drum kit contains air-tight

bung adapter, rigid suction tube, hose and fittings

for feeding a remote wall-mounted pump.

### 235-643 Acetal Inlet Strainer Kit

20 mesh strainer mounts ahead of pump inlet to

filter fluid coming from drum.

### 112-032 100 Mesh Strainer Insert

100 mesh stainless steel wire strainer for use with

235-643 strainer kit.

### 239-952 Air Valve Kit

Replacement air valve assembly.

### Split Manifold Kit (2 kits required)

Enables you to convert the Husky 307 pump to a dual fluid inlet,

dual fluid outlet or both.

**237-210** for Husky 307 Polypropylene Pumps

**237-211** for Husky 307 Acetal Pumps

# Ordering Information

## Acetal

Part No.	Seats/Guides	Balls	Diaphragms	Service Kits
D31-211	Acetal	Teflon	Teflon	D03-211
D31-215	Acetal	Teflon	Hytrel	D03-215
D31-255	Acetal	Hytrel	Hytrel	D03-255
D31-266	Acetal	Santoprene	Santoprene	D03-266
D31-275	Acetal	Buna-N	Hytrel	D03-275
D31-277	Acetal	Buna-N	Buna-N	D03-277
D31-311	SST	Teflon	Teflon	D03-311
D31-331	SST	SST	Teflon	D03-331
D31-335	SST	SST	Hytrel	D03-335
D31-336	SST	SST	Santoprene	D03-336
D31-911	Polypropylene	Teflon	Teflon	D03-911
D31-955	Polypropylene	Hytrel	Hytrel	D03-955

## Polypropylene

Part No.	Seats/Guides	Balls	Diaphragms	Service Kits
D32-211	Acetal	Teflon	Teflon	D03-211
D32-215	Acetal	Teflon	Hytrel	D03-215
D32-255	Acetal	Hytrel	Hytrel	D03-255
D32-277	Acetal	Buna-N	Buna-N	D03-277
D32-311	SST	Teflon	Teflon	D03-311
D32-317	SST	Teflon	Buna-N	D03-317
D32-331	SST	SST	Teflon	D03-331
D32-335	SST	SST	Hytrel	D03-335
D32-337	SST	SST	Buna-N	D03-337
D32-366	SST	Santoprene	Santoprene	D03-366
D32-911	Polypropylene	Teflon	Teflon	D03-911
D32-916	Polypropylene	Teflon	Santoprene	D03-916
D32-917	Polypropylene	Teflon	Buna-N	D03-917
D32-931	Polypropylene	SST	Teflon	D03-931
D32-955	Polypropylene	Hytrel	Hytrel	D03-955
D32-977	Polypropylene	Buna-N	Buna-N	D03-977
D32-966	Polypropylene	Santoprene	Santoprene	D03-966

### Sales/Distribution

North America Toll Free 800-367-4023

Telephone 612-623-6743

Fax 612-623-6580

Contact sales personnel

Locate authorized distributors

Product information literature



GRACO INC.  
P.O. Box 1441  
Minneapolis, MN 55440-1441



Graco Inc. is registered to I.S. EN ISO 9001.

All written and visual data contained in this document are based on the latest product information available at the time of publication. Graco reserves the right to make changes at any time without notice.