



First choice when
quality counts.™

Husky™ 1590

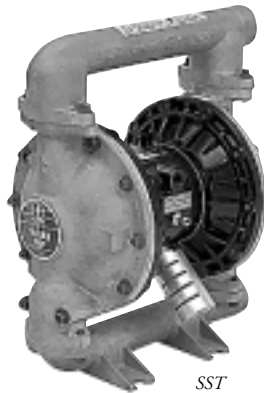
Air-Operated Double Diaphragm Pump



Aluminum

- **High flow – 100 gpm (378.5 lpm) in a compact, portable size**
- **Fluid pressure to 120 psi (8.4 bar, 0.84 MPa)**
- **High reliability patented “closed center” air valve is “online” serviceable**
- **Lube-free operation**
- **Epoxy-coated air section for tough environmental conditions**

**A hard working
pump for
a wide variety
of fluids**

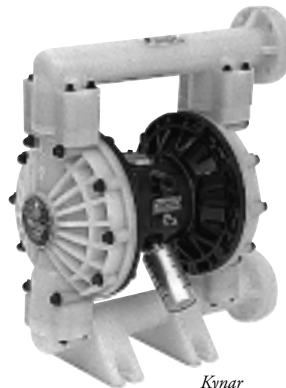


SST

Your Husky 1590 is a pump ready for action. With high flow rates, it can take on a large range of fluids to meet a wide variety of needs.

Smooth, clean fluid passages permit the use of heavier fluids at faster flow rates. The Husky 1590 has an air valve system that is 100% serviceable without disassembly of the wetted parts. This saves valuable maintenance time.

You have a choice of four models: the aluminum general purpose pump; passivated 316 stainless steel to better handle more abrasive or corrosive fluids; polypropylene for general chemical use; and Kynar for aggressive chemicals and higher temperatures. Each model can be ordered with diaphragms, balls and seats to meet your specific needs.



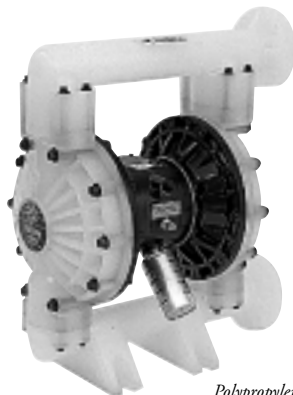
Kynar

Typical Applications

- Filter press
- Tank stripping
- Bilge pumping
- Sand and ball mill pumping
- Oil transfer, oil skimming
- Plating chemicals

Typical Fluids Handled

- Latex
- Abrasive and corrosive fluids
- Acids: hydrochloric, ferric, sulfuric, nitric, phosphoric
- Slurries: petroleum, lime, clay, ferrite, salt/brine, pumice
- Sludge: secondary, clarifier
- Pottery slip



Polypropylene

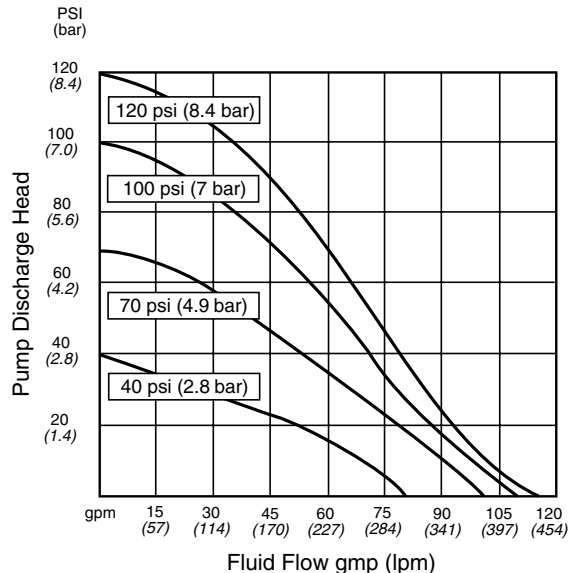
Technical Specifications

Maximum Fluid Pressure	120 psi (8.4 bar, 0.84 MPa)
Maximum Free Flow Delivery	100 gpm (378.5 lpm)
Maximum Pump Speed	200 cpm
Gallons (Liters) per Cycle	0.5 gal. (1.96 lpm)
Maximum Size Pumpable Solids	3/16 in. (4.8 mm)
Maximum Suction Lift – Wet or Dry	18 ft. (5.48 m)
Air Pressure Operating Range	20-120 psi (1.4-8.4 bar, 0.14-0.84 MPa)
Maximum Operating Temperature	150°F (65.5°C)
	200°F (93.3°C) for models with Teflon diaphragms and metal or Kynar housings
Typical Noise Level (at 70 psi [4.8 bar, 0.48 MPa], 50 cpm)	72 dBA
Air Inlet	1/2 npt(f)
Fluid Inlet	
Aluminum & Stainless Steel	1-1/2 npt(f)
Polypropylene & Kynar	1-1/2 in. raised face flange
Fluid Outlet	
Aluminum & Stainless Steel	1-1/2 npt(f)
Polypropylene & Kynar	1-1/2 in. raised face flange
Weight	
Aluminum	33.5 lbs. (15.2 kg)
Stainless Steel	85 lbs. (38.6 kg)
Polypropylene	35 lbs. (16 kg)
Kynar	49 lbs. (22 kg)
Size	
Aluminum & Stainless Steel	15 in. W x 19 in. H x 10 ³ / ₈ in. D (381 mm W x 482 mm H x 264 mm D)
Polypropylene & Kynar	17.55 in. x W x 21.8 in. H x 10.45 in. D (445.8 mm W x 553.7 mm H x 265.3 mm D)
Mounting Hole Layout	
Aluminum & Stainless Steel	6 in. (152 mm) x 6 in. (152 mm)
Polypropylene & Kynar	6 in. (152 mm) x 6 in. (152 mm)
Instruction Manual	
Aluminum & Stainless Steel	308-441
Polypropylene & Kynar	308-549

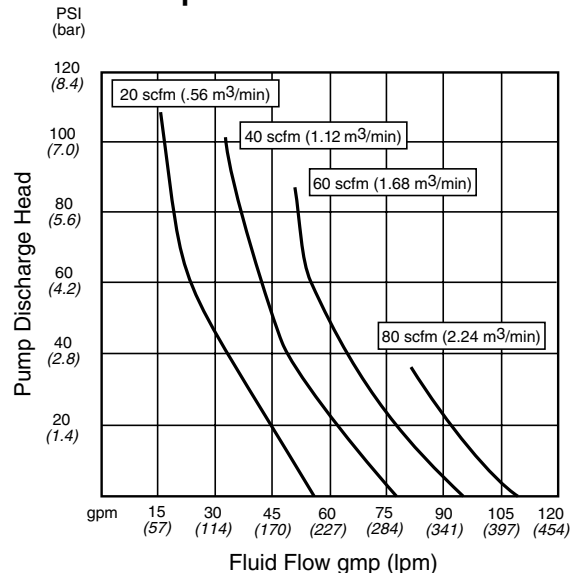


Husky 1590 Performance Chart (Inlet Submerged in Water)

Fluid Flow



Air Consumption



Husky 1590 Pump Accessories

206-197 Air Regulator

Max. working pressure: 300 psi (21 bar, 2.1 MPa).
Adjustment range: 0-125 psi (0-9 bar, 0-0.9 MPa).
3/8 npt(f).

214-656 Groundable Air Hose

Max. working pressure: 180 psi (12.6 bar, 1.26 MPa).
Buna-S core, Buna-N cover.
1/2 in. (13 mm) ID. 1/2 npt(mbe);
Length: 10 ft. (3.05 mm).

106-149 Air Line Filter

Max. working pressure: 250 psi (17.5 bar, 1.75 MPa).
Inlet and outlet: 1/2 npt(f).
Reusable 20 micron filter and drain cock.

Air Line Quick Disconnect Coupler

110-199 Coupler 1/2 npt(f).

110-196 Fitting 1/2 npt(m).

222-914 Fluid Hose

Max. working pressure: 150 psi (10.5 bar, 1.05 MPa).
ID: 1-1/2 in. (38 mm).
Length: 8 ft. (2.4 m), 1-1/2 npt(fbe).

110-225 Bleed-Type Master Air Valve

Max. working pressure: 300 psi (21 bar, 2.10 MPa).
Inlet and outlet: 1/2 npt(f).

217-073 Filter/Regulator/Lubricator Assembly

Max. working pressure: 250 psi (17.5 bar, 1.75 MPa).
Inlet and outlet: 3/4 npt(f).
Air adjustment range: 0-250 psi (0-17.5 bar, 0-1.75 MPa).

100-960 Air Regulator Gauge

Max. working pressure: 200 psi (14 bar, 1.4 MPa).
1/4 npt(m).

Fluid Drain Valve

Max. working pressure: 500 psi (35 bar, 3.5 MPa).

237-534 SST and Teflon, 3/8 npt(mxf)

208-391 Steel and Teflon, 3/8 npt(mxf)

512-212 Fluid Shutoff Valves

Carbon steel. Maximum working pressure:
2000 psi (140 bar, 14.0 MPa). 1.5 npt(fbe).

236-452 Rubber Foot Kit

Install on pump feet to reduce noise and vibration.

Groundable Exhaust Air Hoses

Max. working pressure: 180 psi (12.6 bar, 1.26 MPa).

Buna-N core, Buna-N cover. 3/8 in. (10 mm) ID.

208-610 3/4 npt(mbe); Length: 6 ft. (1.83 m).

205-548 3/4 npt(mbe); Length: 15 ft. (4.57 m).

100-385 Exhaust Hose Coupling

Connects muffler to exhaust hose. 3/4 npt(fbe).

Pressure Relief Valve

110-134 Aluminum, Buna-N seals

112-119 SST, Teflon seals

Flange Kits

With Teflon gaskets and SST fasteners.

239-006 For 1590 Polypropylene

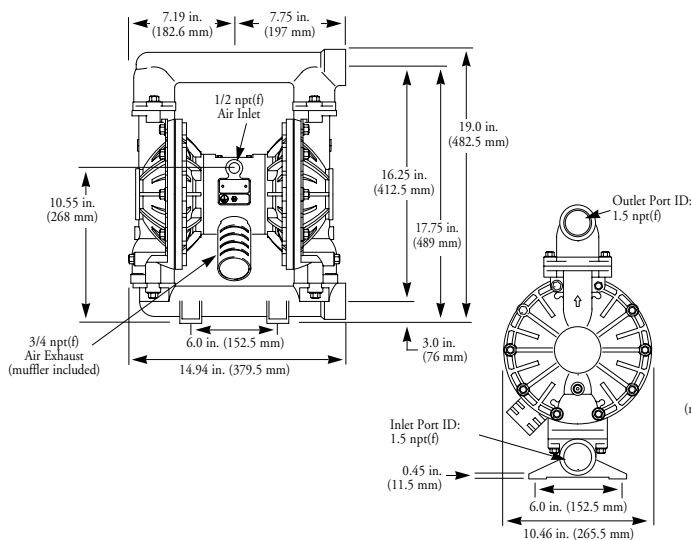
239-010 For 1590 Kynar

237-569 Grounding Wire and Clamp

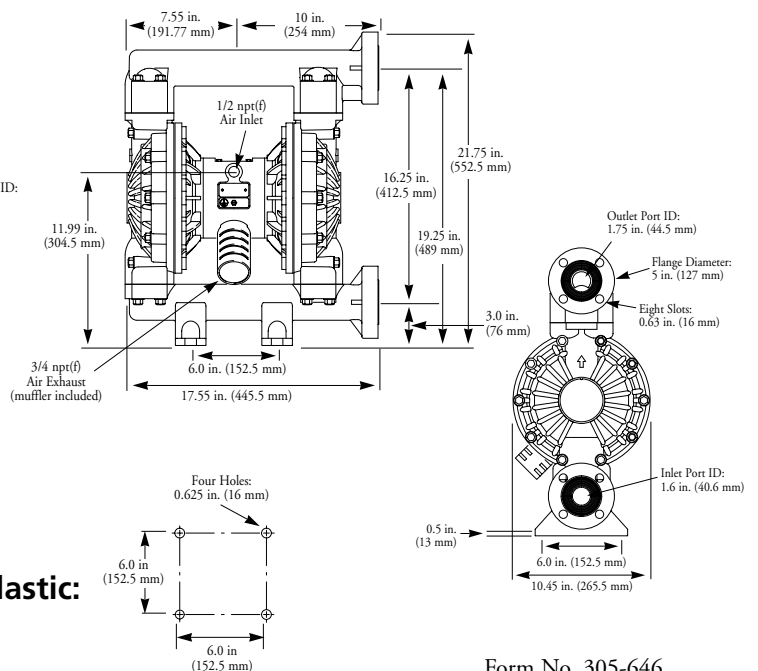
25 ft. (7.6 m) long, 12 ga. (1.5 mm²).

Husky 1590 Pump Dimensions

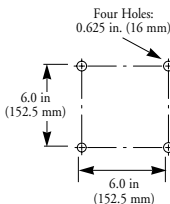
Metal Models



Plastic Models



Mounting Hole Pattern for Metal and Plastic:



Order Numbers for the Husky 1590

Polypropylene

Part No.	Seats/Guides	Balls	Diaphragms	Service Kits
DB2-A11	Kynar	Teflon	Teflon	D0C-A11
DB2-311	SST	Teflon	Teflon	D0C-311
DB2-455	Hardened SST	Hytrel	Hytrel	D0C-455
DB2-655	Santoprene	Hytrel	Hytrel	D0C-655
DB2-666	Santoprene	Santoprene	Santoprene	D0C-666
DB2-911	Polypropylene	Teflon	Teflon	D0C-911
DB2-955	Polypropylene	Hytrel	Hytrel	D0C-955
DB2-966	Polypropylene	Santoprene	Santoprene	D0C-966
DB2-988	Polypropylene	Viton	Viton	D0C-988

Aluminum

DB3-311	SST	Teflon	Teflon	D0B-311
DB3-315	SST	Teflon	Hytrel	D0B-315
DB3-318	SST	Teflon	Viton	D0B-318
DB3-341	SST	Hardened SST	Teflon	D0B-341
DB3-346	SST	Hardened SST	Santoprene	D0B-346
DB3-355	SST	Hytrel	Hytrel	D0B-355
DB3-366	SST	Santoprene	Santoprene	D0B-366
DB3-388	SST	Viton	Viton	D0B-388
DB3-441	Hardened SST	Hardened SST	Teflon	D0B-441
DB3-466	Hardened SST	Santoprene	Santoprene	D0B-466
DB3-525	Hytrel	Acetal	Hytrel	D0B-525
DB3-541	Hytrel	Hardened SST	Teflon	D0B-541
DB3-545	Hytrel	Hardened SST	Hytrel	D0B-545
DB3-555	Hytrel	Hytrel	Hytrel	D0B-555
DB3-655	Santoprene	Hytrel	Hytrel	D0B-655
DB3-666	Santoprene	Santoprene	Santoprene	D0B-666
DB3-911	Polypropylene	Teflon	Teflon	D0B-911
DB3-926	Polypropylene	Acetal	Santoprene	D0B-926
DB3-955	Polypropylene	Hytrel	Hytrel	D0B-955
DB3-966	Polypropylene	Santoprene	Santoprene	D0B-966

SST

DB4-311	SST	Teflon	Teflon	D0B-311
DB4-341	SST	Hardened SST	Teflon	D0B-341
DB4-388	SST	Viton	Viton	D0B-388
DB4-411	Hardened SST	Teflon	Teflon	D0B-411
DB4-525	Hytrel	Acetal	Hytrel	D0B-525
DB4-666	Santoprene	Santoprene	Santoprene	D0B-666
DB4-911	Polypropylene	Teflon	Teflon	D0B-911
DB4-966	Polypropylene	Santoprene	Santoprene	D0B-966

Kynar

DB5-311	SST	Teflon	Teflon	D0C-311
DB5-555	Hytrel	Hytrel	Hytrel	D0C-555
DB5-666	Santoprene	Santoprene	Santoprene	D0C-666
DB5-A11	Kynar	Teflon	Teflon	D0C-A11
DB5-A88	Kynar	Viton	Viton	D0C-A88

Sales/Distribution

North America Toll Free 800-367-4023

Telephone 612-623-6743

Fax 612-623-6580

Contact sales personnel

Locate authorized distributors

Product information literature



GRACO INC.
P.O. Box 1441
Minneapolis, MN 55440-1441



Graco Inc. is registered to I.S. EN ISO 9001.

All visual and written data contained in this document are based on the latest product information available at the time of publication. Graco reserves the right to make changes at any time without notice.